

# INTERNATIONAL Showering Guide

[www.roman-showers.com](http://www.roman-showers.com)

SELECT YOUR  
SANCTUARY



**ROMAN**<sup>®</sup>  
lifetime luxury

A decorative background featuring a large, dynamic splash of water in shades of blue and white, centered on the page. The splash is composed of many individual droplets and bubbles, creating a sense of movement and freshness.

Introduction

1 - 5

Decem

6 - 21

Liber8

22 - 29

Lumin8

30 - 53

Haven

54 - 63

Wetrooms

64 - 81

Bath Screens

82 - 93

Trays

94 - 102

Accessories

103 - 104

Cleaning

93 & 105

Important Product

Information

and

Guarantee

106

# Who we are



## Who we are

Roman has been designing and manufacturing showering solutions for over 30 years, and is home to the UK's largest shower manufacturing plant. Roman's diverse and versatile collection of products encompasses something for every style and shape bathroom - no matter what the budget.

## Highest Quality Materials

We carefully fabricate and anodise all our aluminium profiles. We use aluminium because it is; light, strong and requires minimal maintenance. The anodising process increases corrosion resistance, product durability and further enhances the material properties. Our specialist anodising offers a bright chrome like finish which is significantly in excess of standard aluminium finishing.

## Glass

All our enclosures feature toughened safety glass. This is a heat treatment to increase the glass strength to make it around 5 times stronger than normal glass. If the glass were to break due to impact, it would shatter into lots of small pieces which are much less dangerous and will help you avoid any cuts or injury. All glass is strictly tested in accordance with EN14428.



## Products Designed for All

Our products are carefully designed for all. We consider different users' needs to give totally effortless entry to the entire family. Whether you would like door-less entry, level access, handles that can be used with a flat hand, or a wider aperture, we have something that will work with your space all finished with a stylish designer look.

## Branding

Roman is a reputable and well established UK Brand, now supplying showering products all over the World. Our foundations are strongly rooted in; innovative design, manufacture, quality and customer service. Our products are used in some of the finest hotels Worldwide.

## Customer Service

Roman has invested in a complete customer support network which is there to support each purchase at every stage; from initial enquiry through to after sales care advice. Roman employs over 20 full time members of staff in our Customer Support Centre, who all receive comprehensive training on the manufacture and installation of Roman's collection of products.



For project applications Roman products are available as a BIM file download from [www.roman-showers/available-downloads.com](http://www.roman-showers/available-downloads.com) for more details please see page 21.





### UK Manufactured

Roman products are designed and created in the UK, offering the ultimate in quality, precision and craftsmanship. All Roman's manufacturing processes are carried out at our UK Manufacturing Plant and Headquarters and meet and exceed approved UK and European testing standards.



### Award Winning Product for Design & Innovation

Innovation and exceptional product design differentiates Roman from the competition. Our products and ranges have won multiple awards for innovation and design. Roman employ a dedicated in-house Design Team who are based in our Design Centre. To add flexibility to our research and development and to ensure control of our tray supply, Roman opened a Tray Plant in 2005 to manufacture solid surface level access trays.



### Lifetime Guarantee

For complete peace of mind, all Roman Shower Enclosures and Bath Screens are accompanied by a fully service backed lifetime guarantee.



### Glass Protection

Winner of the House Beautiful 'Best Cleaning Product' Award 2009 Roman's award winning Ultra Care system gives the care and protection your shower enclosure deserves to keep its long lasting sparkle. Roman Ultra Care is pre-coated onto your enclosure or bath screen to protect the glass. It is also then available in a bottle so you can top up this protection as part of your cleaning routine. The more you apply the formula, the more you protect your shower enclosure. Roman Ultra Care cleverly and effortlessly repels the build-up of grime, lime scale and stains. It has been designed to maintain the sparkle of the glass for long term optical clarity.

A three step restoration and cleaning kit is now available from Roman. This kit is designed to restore your bathroom and shower to look like new!



### Helping you to design your bathroom

Roman products are available on the 2020spaces design service.

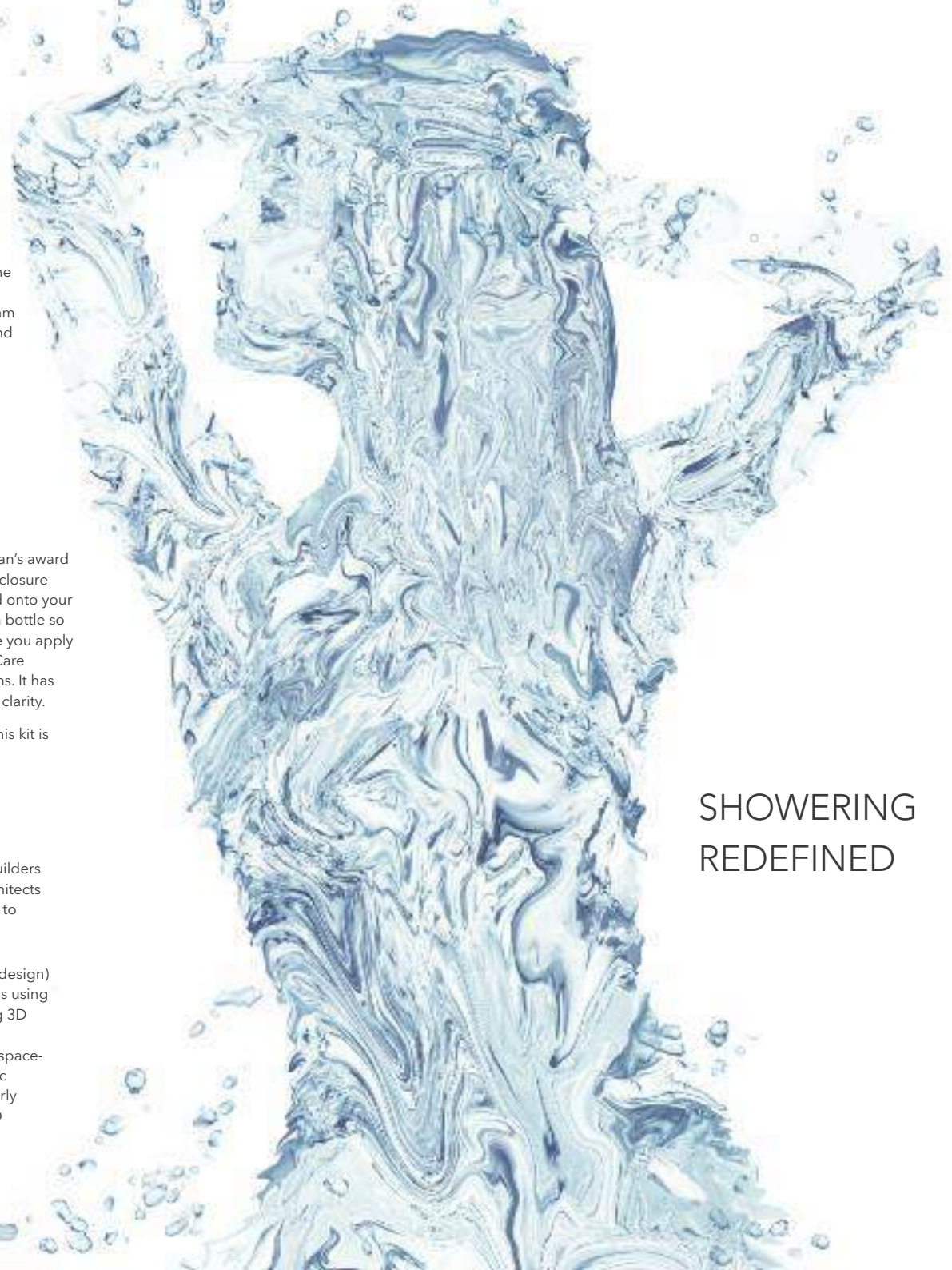
2020 Design is used the world over by kitchen & bath retailers, home builders & remodelers, home improvement centers, independent designers, architects and even students! In fact, 2020 Design can be used by anyone wishing to bring their design ideas to life, with an easy-to-use CAD solution.

#### What is 2020 Design?

2020 Design is the industry-leading, easy-to-use CAD (computer-aided design) software that lets you easily design, plan and visualize kitchens and baths using thousands of flexible products from manufacturer catalogs and stunning 3D renderings.

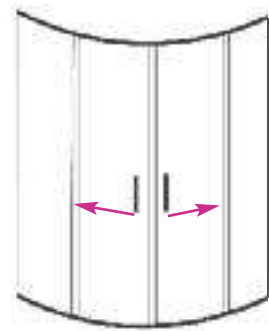
This feature-rich design software brings realism, speed and accuracy to space-planning, allowing designers to retrieve data with one click. The dynamic functionality of 2020 Design helps you through the design process, clearly communicating design ideas in floor-plan or elevation views with 2D/3D shapes, and transforming customer wish-lists into reality.

For more information on any of the above information contact Roman Customer Relations on +44 (0) 1325 327989.



# SHOWERING REDEFINED

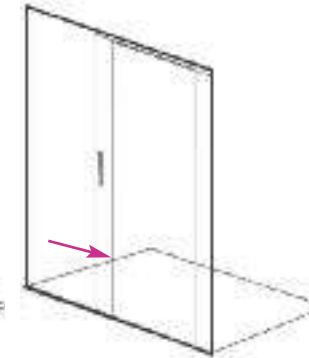
# Introduction to door styles



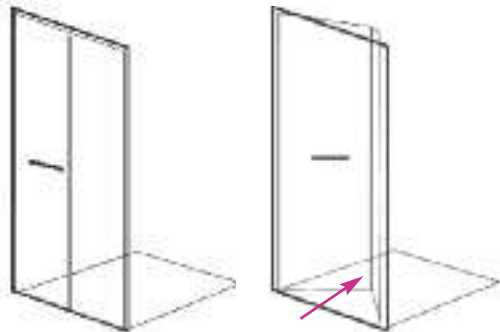
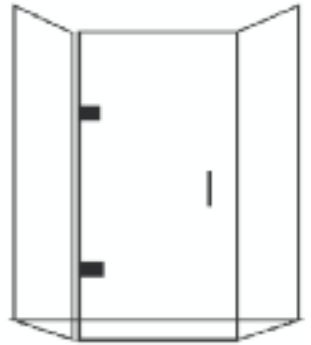
**Quadrant** – The Quadrant shaped enclosure will sit beautifully in the corner of your bathroom, making it an ideal solution for the smaller bathroom. It incorporates unobtrusive sliding doors.



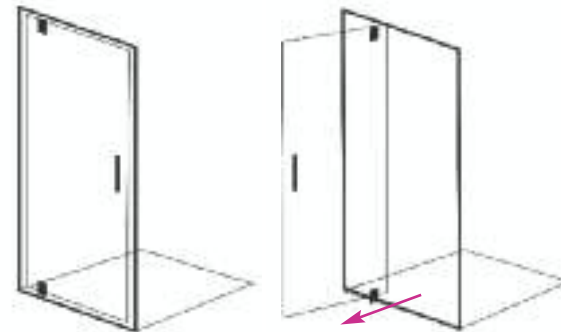
**Sliding Door** – The sliding door action offers wide and easy access, with no protrusion into the bathroom or showering area.



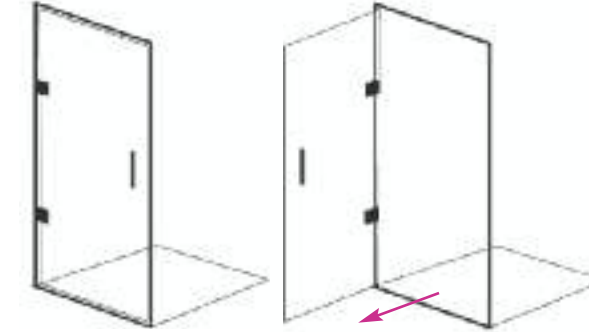
**Neo-Angle** – This flexible design allows for inward or outward opening door entry. It presents a unique footprint, to work around existing fixtures and fittings.



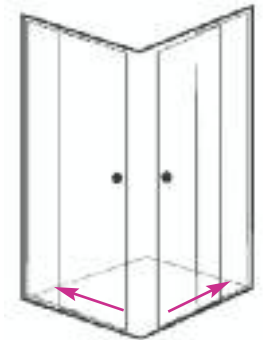
**Bi-Fold Door** – Inward opening door presents a flexible space saving solution. Avoids existing fixtures and fittings in the bathroom area.



**Pivot and Inswing Doors** – Outward opening door, takes up minimal external space due to the positioning of the hinge point, meaning it protrudes less into the bathroom space.



**Hinged Door** – Smooth outward opening door, featuring soft self-close hinges for a superior finish.



**Corner Entry** – Two sliding doors allow easy access in a confined space.



# DECEM

Latin for 10, Decem<sup>x</sup> the 10mm thick glass range has been meticulously designed and engineered by our Roman Design experts. Components of the highest quality have been brought together. With 10mm thick toughened glass. Chromed Brass Hardware. Minimalist framing for a design perspective. Standing majestically at a height of 2000mm. Hardware and handle options available on selected products so you can create your desired effect. Ultra Care Glass Protection Pre-coating included as standard. All combined to create a stunningly visual range which is guaranteed for life. We have combined everything we have learnt about showering over the last 30 years to create this unparalleled range, which for the first time presents a series of design options for selected products.

## Water Safe System

Our unique Water Safe System has been engineered to offer the maximum water integrity available for a minimalist designed enclosure. The system will guide the water back into your showering area, to enhance performance. It creates a water barrier to eliminate this as a traditional weak spot.

## Bracing

An optional chromed brass bracing arm is supplied as standard with many of our products, to give additional support if required. The bracing arm has been intricately designed to sit discreetly on the product, offering a minimalist finish, whilst providing maximum support.

Total height including bracing is 2030mm.

## Hinges and Handle

Self-closing hinges offer a superior action and create a positive seal for the door. Made from chromed brass components to give a quality finish and long lasting performance. On selected products choose between curved or square hardware to suit your taste.

Our chromed brass handle is available in a curved or square finish to suit your taste. The feature handle looks stylish, whilst being suitable for all users. It can be operated with a flat hand for easy opening.

## Detailing

To ensure the Decem range is sublime, our Design team focussed in on the detail. From the enhanced product adjustment, to our Water Safe System. From the chromed brass branding badge, to the 10mm thick toughened glass. From the pre-coated glass protection, to the increased glass height of 2000mm. We have selected the best materials to craft exceptional components, to offer a superior showering experience.

## Printed Glass Technology

Introducing our digitally printed glass wetroom panels, featuring three design options: Distressed Brick; Glass Block; and a Rainforest image. This is a technology breakthrough, which has been achieved by collaboration of technologies with digital print specialists Dimax.





1 Sliding Door DXT12AL. Grey Shimmer Shower Tray IAG129G.



2 Sliding Door DXT17L and Side Panel DX2R8. Shower Tray RLT178. Shower Basket RSB01.

# Sliding Door for Corner or Alcove fitting

This sublime Sliding Door features a soft close door system, to present a silent and ultra-smooth running door action. Its minimalist styling, chromed brass square handle and bright silver frame come together to create a truly opulent design. The minimalistic enclosure incorporates Roman's Water Safe System to direct the water back into the showering area. Install into an alcove or into a corner situation with a Side Panel.

## 1 Sliding Door - for alcove fitting

Door Size (mm)	Handing Style	Adjustment (mm)	Door Aperture (mm)	Order Code Required: Door
1200	Left Hand	1165 - 1190	430	DXT12AL
1200	Right Hand	1165 - 1190	430	DXT12AR
1400	Left Hand	1365 - 1390	530	DXT14AL
1400	Right Hand	1365 - 1390	530	DXT14AR
1700	Left Hand	1665 - 1690	680	DXT17AL
1700	Right Hand	1665 - 1690	680	DXT17AR

## 2 Sliding Door with Side Panel - for corner fitting

Enclosure Size (mm)	Handing Style	Adjustment (mm)	Door Aperture (mm)	Order Codes Required:	
				Door	Side Panel
1200 x 800	Left Hand	1165 - 1180 & 765 - 780	418	DXT12L	DX2R8
1200 x 800	Right Hand	1165 - 1180 & 765 - 780	418	DXT12R	DX2R8
1200 x 900	Left Hand	1165 - 1180 & 865 - 880	418	DXT12L	DX2R9
1200 x 900	Right Hand	1165 - 1180 & 865 - 880	418	DXT12R	DX2R9
1400 x 800	Left Hand	1365 - 1380 & 765 - 780	518	DXT14L	DX2R8
1400 x 800	Right Hand	1365 - 1380 & 765 - 780	518	DXT14R	DX2R8
1400 x 900	Left Hand	1365 - 1380 & 865 - 880	518	DXT14L	DX2R9
1400 x 900	Right Hand	1365 - 1380 & 865 - 880	518	DXT14R	DX2R9
1700 x 800	Left Hand	1665 - 1680 & 765 - 780	668	DXT17L	DX2R8
1700 x 800	Right Hand	1665 - 1680 & 765 - 780	668	DXT17R	DX2R8



### Features and Benefits:

- 2000mm high (wall profile height)
- 2020mm high (to top of door glass)
- 10mm glass
- Silent and ultra-smooth running roller bearing system
- Luxury 'soft close' door system
- Chromed brass machined components
- Chromed brass feature handle
- Low profile PVC seals
- Bright silver frame
- 15mm of adjustment in each profile
- Suitable for installation onto tray or wetroom floor
- Integrated 'tray or floor' Water Safe System
- Alcove and corner options
- Please indicate handing (RH or LH) when ordering
- Available with square hardware

Compatible Trays	Pages
Roman Infinity Trays	95 - 96
Roman Low Level Trays	100 - 102
Roman Shield System	81





1 Hinged Door DXL9CA . Side Panel DXR9. Shower Tray RLT9. Shower Basket RSB07.



2 Hinged Door DXL9B. Shower Tray RLT9. Shower Basket RSB07.

Curved Hardware



Square Hardware



Please note:

Product codes and prices have been split to enable easy selection of your chosen door and panel sizes.

### 1 Hinged Door with Side Panel - for corner fitting

Door Size (mm)	Hardware Style	Adjustment (mm)	Door Aperture/ Projection (mm)	Order Code Required: Door
760	Curved	725 - 740	630	DXL76CA
800	Curved	765 - 780	670	DXL8CA
900	Curved	865 - 880	770	DXL9CA
1000	Curved	965 - 980	870	DXL10CA
760	Square	725 - 740	630	DXL76CB
800	Square	765 - 780	670	DXL8CB
900	Square	865 - 880	770	DXL9CB
1000	Square	965 - 980	870	DXL10CB
Side Panel Size (mm)	Hardware Style	Adjustment (mm)	Door Aperture/ Projection (mm)	Side Panel
760	-	725 - 740	-	DXR76
800	-	765 - 780	-	DXR8
900	-	865 - 880	-	DXR9
1000	-	965 - 980	-	DXR10

### 2 Hinged Door - for alcove fitting

Door Size (mm)	Hardware Style	Adjustment (mm)	Door Aperture/ Projection (mm)	Order Code Required: Door
760	Curved	720 - 750	710	DXL76A
800	Curved	760 - 790	750	DXL8A
900	Curved	860 - 890	850	DXL9A
1000	Curved	960 - 990	950	DXL10A
760	Square	720 - 750	710	DXL76B
800	Square	760 - 790	750	DXL8B
900	Square	860 - 890	850	DXL9B
1000	Square	960 - 990	950	DXL10B

## Hinged Door for Corner or Alcove fitting

Our Decem Hinged Shower Door has been thoughtfully designed by our Roman team of experts, to create a stylishly simple showering space. The Hinged Shower Door is frameless and is available in four different size options, from 760mm up to 1000mm, to beautifully for alcove fitting or with side panels for corner fitting.

#### Features and Benefits:

- Glass height - 2000mm
- Door height with brace bar - 2029mm
- 10mm glass
- Self-closing hinges
- Curved or square chromed brass handle and hinges
- Decem bracing bar for optional usage supplied as standard with corner option
- Integrated 'tray or floor' Water Safe System
- Suitable for installation onto tray or wetroom floor
- 15mm of adjustment in each minimal wall profile
- All door and panels sizes are interchangeable to create the enclosure size of your choice
- Reversible for left or right hand fitting

Compatible Trays	Pages
Roman Infinity Trays	95 - 96
Roman Low Level Trays	100 - 102
Roman Shield System	81



2 Hinged Door DXL1HDB. In-Line Panel DXL1H12. Shower Tray RLT129. Shower Basket RSB07.



1 Hinged Door DXL1HDRA. In-Line Panel DXL1HR12. Side Panel DXHR9. Shower Tray RLT129. Shower Basket RSB07.



Curved Hardware



Square Hardware



# Hinged Door with One In-Line Panel for Corner or Alcove fitting

Please note:

Door aperture/projection is 630mm approx. - enclosure size required is achieved by size of In-Line and Side Panels (this is reflected in Order Codes).

## 1 Hinged Door with One In-Line Panel and Side Panel - for corner fitting

Enclosure Size (mm)	Hardware Style	Adjustment (mm)	Order Codes required:		
			Door	In-Line Panel	Side Panel
1000 x 800	Curved	965 - 980 & 765 - 780	DXL1HDRA	DXL1HR10	DXHR8
1000 x 800	Square	965 - 980 & 765 - 780	DXL1HDRB	DXL1HR10	DXHR8
1000 x 900	Curved	965 - 980 & 865 - 880	DXL1HDRA	DXL1HR10	DXHR9
1000 x 900	Square	965 - 980 & 865 - 880	DXL1HDRB	DXL1HR10	DXHR9
1200 x 800	Curved	1165 - 1180 & 765 - 780	DXL1HDRA	DXL1HR12	DXHR8
1200 x 800	Square	1165 - 1180 & 765 - 780	DXL1HDRB	DXL1HR12	DXHR8
1200 x 900	Curved	1165 - 1180 & 865 - 880	DXL1HDRA	DXL1HR12	DXHR9
1200 x 900	Square	1165 - 1180 & 865 - 880	DXL1HDRB	DXL1HR12	DXHR9
1400 x 800	Curved	1365 - 1380 & 765 - 780	DXL1HDRA	DXL1HR14	DXHR8
1400 x 800	Square	1365 - 1380 & 765 - 780	DXL1HDRB	DXL1HR14	DXHR8
1400 x 900	Curved	1365 - 1380 & 865 - 880	DXL1HDRA	DXL1HR14	DXHR9
1400 x 900	Square	1365 - 1380 & 865 - 880	DXL1HDRB	DXL1HR14	DXHR9
1600 x 800	Curved	1565 - 1580 & 765 - 780	DXL1HDRA	DXL1HR16	DXHR8
1600 x 800	Square	1565 - 1580 & 765 - 780	DXL1HDRB	DXL1HR16	DXHR8
1600 x 900	Curved	1565 - 1580 & 865 - 880	DXL1HDRA	DXL1HR16	DXHR9
1600 x 900	Square	1565 - 1580 & 865 - 880	DXL1HDRB	DXL1HR16	DXHR9

## 2 Hinged Door with One Inline Panel - for alcove fitting

Enclosure Size (mm)	Hardware Style	Adjustment (mm)	Order Codes required:	
			Door	In-Line Panel
1000	Curved	960 - 990	DXL1HDA	DXL1H10
1000	Square	960 - 990	DXL1HDB	DXL1H10
1200	Curved	1160 - 1190	DXL1HDA	DXL1H12
1200	Square	1160 - 1190	DXL1HDB	DXL1H12
1400	Curved	1360 - 1390	DXL1HDA	DXL1H14
1400	Square	1360 - 1390	DXL1HDB	DXL1H14
1600	Curved	1560 - 1590	DXL1HDA	DXL1H16
1600	Square	1560 - 1590	DXL1HDB	DXL1H16

### Features and Benefits:

- Glass height - 2000mm
- Door height with brace bar - 2029mm
- 10mm glass
- Self-closing hinges
- Curved or square chromed brass handle and hinges
- Decem bracing bar for optional usage
- Integrated 'tray or floor' Water Safe System
- Suitable for installation onto tray or wetroom floor
- Roman Ultra Care glass protection included
- 15mm of adjustment in each minimal wall profile
- Reversible for left or right hand fitting

Compatible Trays	Pages
Roman Infinity Trays	95 - 96
Roman Low Level Trays	100 - 102
Roman Shield System	81



1 Hinged Door DXLHDRA. In-Line Panel DXLHR12. Side Panel DXHR8. Shower Tray RLT128. Shower Basket RSB01.



2 Hinged Door DXLHDB. In-Line Panel DXLH12. Shower Tray RLT129. Shower Basket RSB02.

Please note:

Door aperture/projection is 650mm - enclosure size required is achieved by size of In-Line and Side Panels (this is reflected in Order Codes).

## 1 Hinged Door with Two In-Line Panels and Side Panel - for corner fitting

Enclosure Size (mm)	Hardware Style	Adjustment (mm)	Order Codes required:		
			Door	In-Line Panels	Side Panel
1200 x 800	Curved	1165 - 1180 & 765 - 780	DXLHDRA	DLHR12	DXHR8
1200 x 800	Square	1165 - 1180 & 765 - 780	DXLHDRB	DLHR12	DXHR8
1200 x 900	Curved	1165 - 1180 & 865 - 880	DXLHDRA	DLHR12	DXHR9
1200 x 900	Square	1165 - 1180 & 865 - 880	DXLHDRB	DLHR12	DXHR9
1400 x 800	Curved	1365 - 1380 & 765 - 780	DXLHDRA	DLHR14	DXHR8
1400 x 800	Square	1365 - 1380 & 765 - 780	DXLHDRB	DLHR14	DXHR8
1400 x 900	Curved	1365 - 1380 & 865 - 880	DXLHDRA	DLHR14	DXHR9
1400 x 900	Square	1365 - 1380 & 865 - 880	DXLHDRB	DLHR14	DXHR9
1500 x 800	Curved	1465 - 1480 & 765 - 780	DXLHDRA	DLHR15	DXHR8
1500 x 800	Square	1465 - 1480 & 765 - 780	DXLHDRB	DLHR15	DXHR8
1500 x 900	Curved	1465 - 1480 & 865 - 880	DXLHDRA	DLHR15	DXHR9
1500 x 900	Square	1465 - 1480 & 865 - 880	DXLHDRB	DLHR15	DXHR9
1600 x 800	Curved	1565 - 1580 & 765 - 780	DXLHDRA	DLHR16	DXHR8
1600 x 800	Square	1565 - 1580 & 765 - 780	DXLHDRB	DLHR16	DXHR8
1600 x 900	Curved	1565 - 1580 & 865 - 880	DXLHDRA	DLHR16	DXHR9
1600 x 900	Square	1565 - 1580 & 865 - 880	DXLHDRB	DLHR16	DXHR9

## 2 Hinged Door with Two In-Line Panels - for alcove fitting

Enclosure Size (mm)	Hardware Style	Adjustment (mm)	Order Codes required:	
			Door	In-Line Panels
1200	Curved	1160 - 1190	DXLHDA	DXLH12
1200	Square	1160 - 1190	DXLHDB	DXLH12
1400	Curved	1360 - 1390	DXLHDA	DXLH14
1400	Square	1360 - 1390	DXLHDB	DXLH14
1500	Curved	1460 - 1490	DXLHDA	DXLH15
1500	Square	1460 - 1490	DXLHDB	DXLH15
1600	Curved	1560 - 1590	DXLHDA	DXLH16
1600	Square	1560 - 1590	DXLHDB	DXLH16

Please note: In-Line Panels are in packs of two so one order code required only.

# Hinged Door with Two In-Line Panels for Corner or Alcove fitting

### Features and Benefits:

- Glass height - 2000mm
- Door height with brace bar - 2029mm
- 10mm glass
- Self closing hinges
- Curved or square chromed brass handle and hinges
- Decem brace bar for optional usage supplied
- Integrated 'tray or floor' Water Safe System
- Suitable for installation onto tray or wetroom floor
- Roman Ultra Care glass protection included
- 15mm of adjustment in each minimal wall profile
- Reversible for left or right hand fitting

Curved Hardware



Square Hardware



Compatible Trays	Pages
Roman Infinity Trays	95 - 96
Roman Low Level Trays	100 - 102
Roman Shield System	81





1 Hinged Door DXLHDRA. In-Line Panel DXLHR12. Side Panel DXHR8. Shower Basket RSB01. Roman Shield Wetroom System.



2 Hinged Door DXL2HDB. In-Line Panel DXL2H12. Shower Tray RLT128.

# Hinged Door with Hinged In-line Panel for Corner or Alcove fitting

Curved Hardware



Square Hardware



Please note:

Door aperture/projection is 670mm - enclosure size required is achieved by size of In-Line and Side Panels (this is reflected in Order Codes).

## 1 Hinged Door with Hinged In-Line Panel and Side Panel - for corner fitting

Enclosure Size (mm)	Hardware Style	Adjustment (mm)	Order Codes required:		
			Door	In-Line Panel	Side Panel
1000 x 760	Curved	965 - 980 & 725 - 740	DXL2HDRA	DXL2HR10	DX1R76
1000 x 760	Square	965 - 980 & 725 - 740	DXL2HDRB	DXL2HR10	DX1R76
1000 x 800	Curved	965 - 980 & 765 - 780	DXL2HDRA	DXL2HR10	DX1R8
1000 x 800	Square	965 - 980 & 765 - 780	DXL2HDRB	DXL2HR10	DX1R8
1000 x 900	Curved	965 - 980 & 865 - 880	DXL2HDRA	DXL2HR10	DX1R9
1000 x 900	Square	965 - 980 & 865 - 880	DXL2HDRB	DXL2HR10	DX1R9
1000 x 1000	Curved	965 - 980 & 965 - 980	DXL2HDRA	DXL2HR10	DX1R10
1000 x 1000	Square	965 - 980 & 965 - 980	DXL2HDRB	DXL2HR10	DX1R10
1200 x 760	Curved	1165 - 1180 & 725 - 740	DXL2HDRA	DXL2HR12	DX1R76
1200 x 760	Square	1165 - 1180 & 725 - 740	DXL2HDRB	DXL2HR12	DX1R76
1200 x 800	Curved	1165 - 1180 & 765 - 780	DXL2HDRA	DXL2HR12	DX1R8
1200 x 800	Square	1165 - 1180 & 765 - 780	DXL2HDRB	DXL2HR12	DX1R8
1200 x 900	Curved	1165 - 1180 & 865 - 880	DXL2HDRA	DXL2HR12	DX1R9
1200 x 900	Square	1165 - 1180 & 865 - 880	DXL2HDRB	DXL2HR12	DX1R9
1200 x 1000	Curved	1165 - 1180 & 965 - 980	DXL2HDRA	DXL2HR12	DX1R10
1200 x 1000	Square	1165 - 1180 & 965 - 980	DXL2HDRB	DXL2HR12	DX1R10

Please note:

Door aperture/projection is 650mm - enclosure size required is achieved by size of In-Line and Side Panels (this is reflected in Order Codes).

## 2 Hinged Door with Hinged In-Line Panel - for alcove fitting

Enclosure Size (mm)	Hardware Style	Adjustment (mm)	Order Codes required:	
			Door	In-Line Panel
1000	Curved	960 - 990	DXL2HDA	DXL2H10
1000	Square	960 - 990	DXL2HDB	DXL2H10
1200	Curved	1160 - 1190	DXL2HDA	DXL2H12
1200	Square	1160 - 1190	DXL2HDB	DXL2H12

Features and Benefits:

- Glass height - 2000mm
- Door height with brace bar - 2029mm
- 10mm glass
- Self closing hinges
- Curved or square chromed brass handle and hinges
- Decem bracing bar for optional usage supplied
- Integrated 'tray or floor' Water Safe System
- Suitable for installation onto tray or wetroom floor
- Roman Ultra Care glass protection included
- 15mm of adjustment in each minimal wall profile
- Reversible for left or right hand fitting

Compatible Trays	Pages
Roman Infinity Trays	95 - 96
Roman Low Level Trays	100 - 102
Roman Shield System	81



2 Neo-Angle Door DXPDB. Neo-Angle Panels DXP129PAL. Neo-Angle Shower Tray DNT129L. Shower Basket RS801.





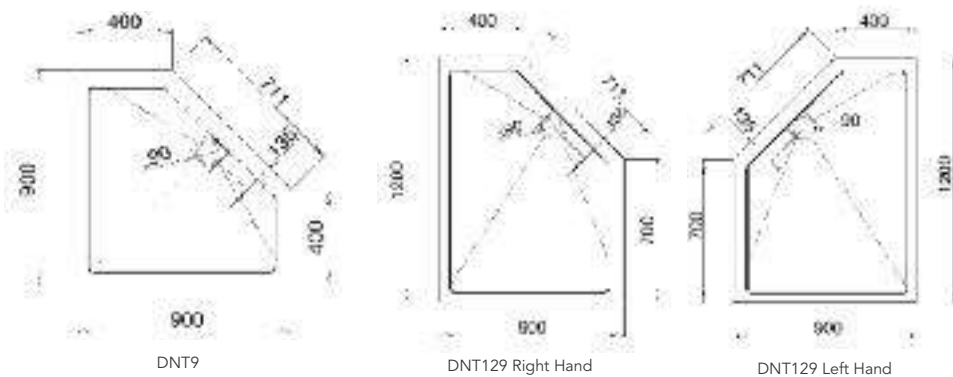
## Neo-Angle Enclosure for Corner Fitting

The ingenious angled design of the enclosure will work around existing fixtures and fittings, to fit flawlessly into your bathroom space. Its stylish chromed brass self-closing hinges present an exceptionally smooth door action. The outward opening doors offer wide and comfortable access and feature a design statement square handle and hardware.

### Features and Benefits:

- 2000mm high (wall profile height)
- 2005mm high (to top of bracing)
- 10mm glass
- Chromed brass machined components
- Chromed brass self-closing hinges
- Chromed brass feature handle
- Low profile PVC seals
- Bright silver frame
- 15mm of adjustment in each profile
- Integrated 'tray or floor' Water Safe System
- Please indicate handing (RH or LH) when ordering
- Available with square hardware
- Suitable for installation to Neo tray or straight to floor

1 Neo-Angle Door DXPD. Neo-Angle Panels DXPPAL. Neo-Angle Shower Tray DNT9. Shower Basket RSB02.



### Please note:

Door aperture/projection is 660mm - enclosure size required is achieved by size of Neo Panels (this is reflected in Order Codes).

Enclosure Size (mm)	Handing Style	Adjustment (mm)	Order Codes required:	
			Door	Neo Panels
900 x 900	Left Hand	860 - 875	DXPD	DXPPAL
	Right Hand	860 - 875	DXPD	DXPPAR
1200 x 900	Left Hand	1160 - 1175 & 860 - 875	DXPD	DXP129PAL
	Right Hand	1160 - 1175 & 860 - 875	DXPD	DXP129PAR

Compatible Trays	Pages
Roman Neo-Angle Trays	97
Roman Shield System	81

# Project Specification Guide

Download a copy at:

[www.roman-showers.com/psg/](http://www.roman-showers.com/psg/)

or call +44 (0) 1325 327989 to order your copy

Roman's Project Specification Guide has been developed specifically for architects, designers and specifiers working on significant projects such as Hotel and Major Housing developments and Condominiums. Uniquely it allows you to pick and choose every single part of your showering solution, from your hinges and handle, to the bracing, seals and glass design allowing you to build a showering concept to totally suit your individual project.

This Project Specification Guide offers a small sample of the options available to you. If the component you are looking for is not explicitly featured in this guide, please contact us as we have an almost infinite range available and are confident that we will be able to meet your needs.

Roman is a leading international shower manufacturer and as such we are experienced in large Project work and frequently create bespoke solutions to suit individual customers' briefs. We have worked on projects Worldwide, most notably across Europe, the Americas, Asia, Australasia and the Middle East. Our products are manufactured in our UK headquarters and we also have a showroom and manufacturing facility set up to serve the Asian and Australasian market, Roman (Asia), which is based in Kuala Lumpur. An impressive array of job references are available upon request.

As an established manufacturer we hold ISO9001 and ISO14001 accreditation. All our products conform to and exceed European Standard EN14428 for Shower Enclosures and Bath Screens.

## Solid Surface Technology

Roman has been at the forefront of Solid Surface technology for 15 years. Roman has a long established Solid Surface (engineered Stone) Moulding Plant on its main Manufacturing Site in Newton Aycliffe. This facility includes rapid prototyping; CNC precision mould making; a large variety of different moulding methods for different products; and a huge oven and fabrication area for the highest quality finishing. Having the mould manufacturing in-house gives huge flexibility in terms of lead-times and costs of moulds - depending upon the particular application and volumes.

Since 2014 Roman has added Solid Surface fabrication to this facility. This allows precast Solid Surface sheets (of any thickness required) to be fabricated to precise Project requirements. This includes hidden joints, hidden fixings and any corner or finishing details required. These fabrications can be designed to suit any requirements and the fabrication can be as flexible as the material itself. Any structural or reinforcement requirements can also be supplied in whatever material and whatever strength specified.

The range of finishes and colours is vast and the finished effect moves interior design specification to a new level. If you submit drawings, or simply ideas, we would be delighted to offer you bespoke quotations and design ideas to suit your specification and ambitions.





## Glass Options

You can choose any glass finish you would like including clear, frosted and patterned glass. If you are looking for a specific pattern or motif to be added to the glass, we can accommodate this. We can also offer low iron, or heat soaked glass. A large variety of coloured glass "tints" can also be produced if desired. Let us know what glass thickness you would like. The standard on these styles of products is 10 and 8mm thick, but we can work within your requirements. Across our series of standard enclosures we offer 4 – 10mm thick glass products, so we regularly work with all of these thicknesses. We can advise as required.

## Hinges

Manufactured from chrome plated brass, our collection of hinges ensure a high quality finish and smooth opening action. Our range of hinges include; glass-to-glass options; glass to wall; 180° functionality (both inward and outward opening); inward opening; and outward opening. All are presented in a variety of shapes and sizes to help you achieve the look you aspire to – many options feature self-closing sprung hinges.

We offer hinges in a chrome or jet black finish, but if the hinge style and finish you are looking for is not pictured here, please contact us with your requirements as this is only a small sample of what we have available.

## Glass to Glass fixings

Our Glass to Glass Fixings are manufactured from high quality chrome plated brass, ensuring quality right down to the finer details. These are finished in chrome or jet black, but for volume orders we can accommodate any colour you would like. If the fixing style and finish you are looking for is not pictured here, please contact us with your requirements as this is only a small sample of what we have available.

## Handle Options

Whether you would like a "statement" handle or are looking for something a bit simpler, with our range you can pick something to perfectly complement your specification. For a totally minimalist look, we can even completely eliminate the handle and leave a designer hole in the glass as an alternative. Our handle range also includes options that double up as a towel rail – perennially popular in the Hotel sector.

Our selection of handles are manufactured from high quality chrome plated brass and are finished in chrome, white or jet black. If the style and finish you are looking for is not pictured here, please contact us with your requirements as this is only a small sample of what we have.

## Aluminium Wall Profiles

If you are looking for a totally minimalist finish, or alternatively would like a quick and straight-forward installation, then the wall profile you pick can be crucial. We offer a variety of profiling systems; from angled profiles, for angled glass; through to profiles that can be channelled into the wall so only the glass is visible. Our Wall Profile Systems offer options to suit a variety of door styles including, hinged and sliding doors, along with wetroom panels.

We always recommend the use of our discreet profiling to enhance performance and offer on-site adjustment.

## Bracing Systems

Our selection of Bracing Systems allow you to keep your Shower Enclosure, Bath Screen or Wetroom Panel sturdy, with a look and overall finish that suits your space. We provide the bracing bars to your exact sizing specification and these can be trimmed to size on site (standard size illustrated.) The bracing bar systems are all manufactured using chromed brass. Largely we supply these with a chrome finish, but if you would like a specific colour we are able to accommodate this for volume projects.

## Sliding Door Systems

Our Sliding Door Systems allow you to create the look you seek, with a smooth action door that glides with ease with a "soft close" style sprung stop. The components are manufactured from chromed brass and are available in a chrome finish. If the Sliding Door System style and finish you are looking for is not pictured here, please contact us with your requirements as this is only a small sample of what we have available.

## Sealing Systems

We offer a range of Sealing Systems to suit whichever enclosure style you choose. We will recommend which seal is compatible with your chosen product type, whether it is a hinged door or sliding door configuration that you choose. The more popular options are showcased in this section – many other options are available as required. The new Water Safe System (pictured) allows frameless Enclosures to now offer water integrity that has traditionally only been offered by standard Enclosures with no caveats regarding water pressure or direction.

## Solid Surface Shower Trays

Our collection of Solid Surface Shower Trays offer a stylish finish, with a solid surface waste cover to discreetly hide the waste. This gives a seamless finish. The low profile trays are self-reinforcing so can be laid directly down to joists and then tiled up to, achieving a level access wetroom look. They are available in white, with either a matt or a gloss finish. For volume orders we can accommodate a variety of colour finishes and sizes to your specification, including stone effect and shimmer effect finishes to coordinate your bathroom design.



## Order Process:

- Ordering your showering solution is simple:
- Select the specific components you require\*
- Send us these specifications and volumes along with your dimensions (and preferably CAD drawings) by e-mail either to: [international@roman-showers.com](mailto:international@roman-showers.com)
- We will then send you a CAD line drawing of your design, quote and indicative lead time





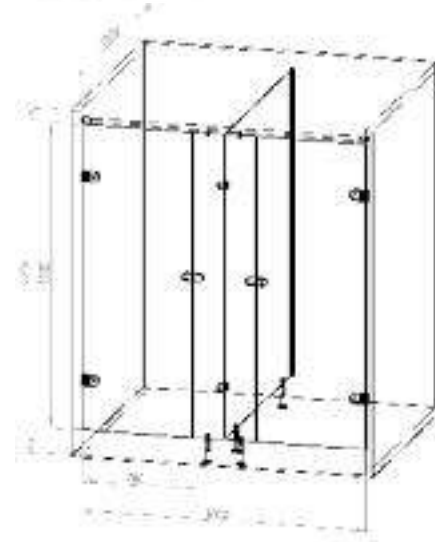
BIM is an acronym for Building Information Management, or Building Information Modelling. It is a digital representation of physical and functional characteristics of a facility. BIM creates facilities models within a computer and because they are digital and computer based models of building elements, in Roman's case Shower Enclosures and Shower Trays, they are far more useful than hand or computer drafted drawings.

Coupled with the visual representation of the product very importantly it also gives products their provenance and standards. The provenance being the manufacturer's details, for example, the range, door style, code etc. and very importantly all relevant standards, such as EN standards and CE marking. If the product is substituted for an inferior or non-conformant product in any stage of the design plan this will be highlighted to a client as being non-conformant.

Building Information Modelling describes the development of designing a building collaboratively using one coherent system of computer models rather than as separate sets of drawings. BIM presents a number of advantages such as; saving crucial time, much more accuracy in estimation, and the avoidance of error, alterations and rework due to information loss.



**ROMAN**  
**BIM**



Download BIM files now at [www.roman-showers.com](http://www.roman-showers.com)

## Made to Measure Service

### Features and Benefits:

- Over height available up to 2.7 metres
- Angled glass available
- Frosted glass available
- Hardware options of curved or straight available
- Made to measure items which fit almost anywhere
- All products made in accordance with your own measurements
- We endeavour to provide fast and efficient answers to all your questions



Enclosures cleverly designed to maximise space



Peekaboo bathrooms a speciality



Bath Screens designed with easy access for cleaning and to avoid fittings



# Liber8

COLLECTION

The new Liber8 Collection is freed from the shackles of traditional bathroom design, with its ultra-modern and minimalist focus.

This exceptional selection of frameless hinged door products presents an array of sizes and configurations to fit in with most bathroom layouts.

The striking minimalist look is captured with options such as the door hinged straight from wall with clear seals.

The hinged door or in-line panel can be tailored to suit your specific bathroom layout. It can be installed to open outwards into the bathroom or inwards into the enclosure itself. The hinged door can be fitted in multiple configurations; independently in an alcove or with added side or in-line panels.

The Liber8 Collection has been designed to be the cutting edge of design and due to its stylish frameless nature it must only be installed on walls and floors that are completely level.

This leading collection of design led shower enclosures is perfectly completed with the frame finish options of either a bright silver chrome or a warm brushed nickel finish on all components.

#### Features and Benefits:

- 2000mm high
- 8mm glass thickness
- Hinged from wall or glass panels
- New clear and minimal seals
- New minimal easy fix wall profile system
- Adjustable hinges
- The option of a bright silver chrome or warm brushed nickel finish on all components
- Unique sealing tape system technology to reduce the need for silicone
- Designed for installation to straight vertical walls
- Integrated 'tray or floor' Water Safe System
- Liber8 Bespoke service available





900 x 900 Hinged Door for Corner with Chrome finish KL913CS and KR913S. Shower Tray RLT90. Shower Basket RSB01





Liber8 900 x 900mm Hinged Door for Corner with Chrome finish KL913CS and KR913S. Shower Tray RLT90. Shower Basket RSB01.

## Hinged Door with Side Panel

Style your bathroom with a statement frameless shower enclosure from the Liber8 Collection. It is installed with an outward opening door. It presents you with the choice of a brushed nickel or silver chrome finish on all components including the elongated sleek hinges, designer handle and bracing bar.

### Features and Benefits:

- 2000mm high
- 8mm glass thickness
- Hinged from wall
- New clear and minimal seals
- New minimal easy fix wall profile system
- The option of a bright silver chrome or brushed nickel finish on all components
- Unique sealing tape system technology to reduce the need for silicone
- Integrated 'tray or floor' Water Safe System
- Designed for installation to straight vertical walls



Brushed Nickel finish

Description	Size (mm)	Adjustment (mm)	Chrome Finish code	Nickel Finish Code
Hinged Door for Corner	760	-	KL7613CS	KL7613CN
Hinged Door for Corner	800	-	KL813CS	KL813CN
Hinged Door for Corner	900	-	KL913CS	KL913CN
Hinged Door for Corner	1000	-	KL1013CS	KL1013CN
Side Panel	760	733 - 747	KR7613S	KR7613N
Side Panel	800	773 - 787	KR813S	KR813N
Side Panel	900	873 - 887	KR913S	KR913N
Side Panel	1000	973 - 987	KR1013S	KR1013N



Brushed Nickel finish

Compatible Trays	Pages
Roman Infinity Trays	95 - 96
Roman Low Level Trays	100 - 102
Roman Shield System	81



1000mm Hinged Door with One In-Line Panel for Alcove fitting with Brushed Nickel hardware KL1HD13N, KL1H1013N. Shower Tray RLT108. Shower Basket RSB02.





1200 x 900 Hinged Door with One In-Line Panel for Corner fitting with Brushed Nickel hardware KL1HDR13N, KL1HR1213N, KHR913N. Shower Tray IAG129. Shower Basket RSB02.

## Hinged Door with One In-Line Panel

Keep your bathroom at the forefront of fashion with the luxurious Liber8 Collection. With its sleek minimal look achieved by the doors being hinged straight from wall, optically clear seals and designer led components – it will add an ultra-modern look to your bathroom.

### Features and Benefits:

- 2000mm high
- 8mm glass thickness
- Hinged from wall
- New clear and minimal seals
- New minimal easy fix wall profile system
- Adjustable hinges for Inward or Outward opening door
- The option of a bright silver chrome or brushed nickel finish on all components
- Unique sealing tape system technology to reduce the need for silicone
- Integrated 'tray or floor' Water Safe System
- Designed for installation to straight vertical walls

Add **S** for Chrome finish or **N** for Nickel finish to each Order code

### Corner Fitting

Enclosure Size (mm)	Order Codes			Adjustments (mm)
	Door	In-Line Panel	Side Panel	
1000 x 800	KL1HDR13	KL1HR1013	KHR813	773 - 787
1000 x 900	KL1HDR13	KL1HR1013	KHR913	873 - 887
1200 x 800	KL1HDR13	KL1HR1213	KHR813	773 - 787
1200 x 900	KL1HDR13	KL1HR1213	KHR913	873 - 887
1400 x 800	KL1HDR13	KL1HR1413	KHR813	773 - 787
1400 x 900	KL1HDR13	KL1HR1413	KHR913	873 - 887
1600 x 800	KL1HDR13	KL1HR1613	KHR813	773 - 787
1600 x 900	KL1HDR13	KL1HR1613	KHR913	873 - 887

### Alcove Fitting

Door Size (mm)	Order Codes		Adjustments (mm)
	Door	In-Line Panel	
760	KL1HD213	KL1H7613	737 - 747
800	KL1HD213	KL1H813	773 - 787
900	KL1HD13	KL1H913	873 - 887
1000	KL1HD13	KL1H1013	973 - 987
1200	KL1HD13	KL1H1213	1173 - 1187
1400	KL1HD13	KL1H1413	1373 - 1389
1600	KL1HD13	KL1H1613	1573 - 1587

### Compatible Trays

### Pages

Roman Infinity Trays	95 - 96
Roman Low Level Trays	100 - 102
Roman Shield System	81



1600 x 800 Hinged Door with Two In-Line Panels for Corner fitting with chrome hardware KLHDR13S, KLHR1613S, KHR813S. Shower Tray IAG168. Shower Basket RSB01.





1600 x 800 Hinged Door with Two In-Line Panels for Alcove fitting with chrome hardware KLHD13S, KLH1613S. Shower Tray IAG168. Shower Basket RSB01.

## Hinged Door with Two In-Line Panels

Cleverly use the alcove space in your bathroom with the frameless hinged door with two in-line panels. The addition of this frameless designed enclosure will bring a cutting-edge look into your bathroom.

### Features and Benefits:

- 2000mm high
- 8mm glass thickness
- Hinged from In-Line Panel
- New clear and minimal seals
- New minimal easy fix wall profile system
- Adjustable hinges for Inward or Outward opening door
- The option of a bright silver chrome or brushed nickel finish on all components
- Unique sealing tape system technology to reduce the need for silicone
- Integrated 'tray or floor' Water Safe System
- Designed for installation to straight vertical walls

Add **S** for Chrome finish or **N** for Nickel finish to each Order code

### Corner Fitting

Enclosure Size (mm)	Order Codes			Adjustment (mm)	
	Door	In-line Panel	Side Panel	Door and In-Line	Side Panel
1200 x 800	KLHDR13	KLHR1213	KHR813	1173 - 1187	773 - 787
1200 x 900	KLHDR13	KLHR1213	KHR913	1173 - 1187	873 - 887
1400 x 800	KLHDR13	KLHR1413	KHR813	1373 - 1387	773 - 787
1400 x 900	KLHDR13	KLHR1413	KHR913	1373 - 1387	873 - 887
1600 x 800	KLHDR13	KLHR1613	KHR813	1573 - 1587	773 - 787
1600 x 900	KLHDR13	KLHR1613	KHR913	1573 - 1587	873 - 887

### Alcove Fitting

Enclosure Size (mm)	Order Codes		Adjustments (mm)
	Door	In-Line Panel	
1200	KLHD13	KLH1213	1166 - 1194
1400	KLHD13	KLH1413	1366 - 1394
1600	KLHD13	KLH1613	1566 1594

Compatible Trays	Pages
Roman Infinity Trays	95 - 96
Roman Low Level Trays	100 - 102
Roman Shield System	81

# Hinged Door

## with Hinged In-Line Panel

Introduce the Liber8 outward opening hinged door to your bathroom space, to add an enclosure that leads the way in modern design and practicality. Choose the finish that best complements your bathroom décor with the option of bright silver chrome or brushed nickel finishes.

### Features and Benefits:

- 2000mm high
- 8mm glass thickness
- Hinged from In-Line Panel
- New clear and minimal seals
- New minimal easy fix wall profile system
- The option of a bright silver chrome or brushed nickel finish on all components
- Unique sealing tape system technology to reduce the need for silicone
- Integrated 'tray or floor' Water Safe System
- Designed for installation to straight vertical walls
- Outward opening only



1200 x 900 Hinged Door with Hinged In-Line Panel for Corner fitting KL2HDR13S, KL2HR1213S, K1R913S. Grey Shimmer Shower Tray IAG129G. Shower Basket RSB02.

Add **S** for Chrome finish or **N** for Nickel finish to each Order code

Enclosure Size (mm)	Order Codes			Adjustment (mm)	
	Door	In-line Panel	Side Panel	Door and In-Line	Side Panel
1000 x 760	KL2HDR13	KL2HR1013	K1R7613	973 - 987	733 - 747
1000 x 800	KL2HDR13	KL2HR1013	K1R813	973 - 987	773 - 787
1000 x 900	KL2HDR13	KL2HR1013	K1R913	973 - 987	873 - 887
1000 x 1000	KL2HDR13	KL2HR1013	K1R1013	973 - 987	973 - 987
1200 x 760	KL2HDR13	KL2HR1213	K1R7613	1173 - 1187	733 - 747
1200 x 800	KL2HDR13	KL2HR1213	K1R813	1173 - 1187	773 - 787
1200 x 900	KL2HDR13	KL2HR1213	K1R913	1173 - 1187	873 - 887
1200 x 1000	KL2HDR13	KL2HR1213	K1R1013	1173 - 1187	973 - 987

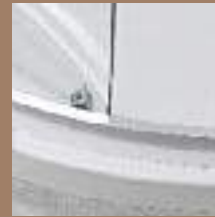
Compatible Trays	Pages
Roman Infinity Trays	95 - 96
Roman Low Level Trays	100 - 102
Roman Shield System	81



# Lumin8 COLLECTION

This compelling, inventive and contemporary collection of showering solutions meets all your requirements, whilst bringing an inviting touch of luxury into your bathroom and helping to illuminate your showering experience.

Meticulously designed to solve a variety of space restrictions in the bathroom, whilst providing an effortless showering experience for the whole family. Delivers both inward and outward opening doors and sliding doors. A collection of intricately designed power shower approved bath screens and walk-in enclosures. The diversity of designs and sizes available provides something for every bathroom.



#### Glass Height and Thickness

Lumin8 stands elegantly at a height of 1950mm with toughened 8mm thick glass. The weight of the 8mm thick glass provides smooth action operation, long-lasting durability and safety. Walk-in options now offer curved frameless 8mm thick glass with minimal bracing.

#### Detailing

Detail is fundamental with the Lumin8 range to create a unique style with the highest quality. From the individual 'wrap around' chromed top caps, to the robust 8mm thick glass. From the pre-coated glass protection, to the elegant height of 1950mm. From the clear, low profile seals and magnet seals, to the bright silver profiles for a modern finish. Smooth running 'quick release' roller bearings provide easy access cleaning. We have handpicked the finest materials to craft exceptional components, to provide an exclusive showering experience.

#### Handle and Hinges

Features new ergonomic chromed brass handle with a curved underside for easy operation. This square finish contemporary handle creates a stylish feature, whilst being suitable for all users. It can be operated with a flat hand for easy opening. The chromed brass hinges add to the contemporary feel of the range.

#### Installation

We not only provide the highest quality of products but these products are also designed for ease of installation and we ensure outstanding after sales service. The design incorporates clear glass and bright silver profiles with square edges to provide a modern finish. The highest grade of aluminium is used to deliver a polished and unparalleled finish. Our products include enough discreet adjustment to ensure they fit into the vast majority of bathroom sizes and styles. Adjustment of 25mm is available per profile.

#### Made To Measure

We offer custom made design and fitting services for this range.





900 x 1200mm One Door Offset Quadrant V8SQ91213S. Roman Tray RLQ129R. Shower Basket RSB02.



900 x 900mm One Door Quadrant V8SQ913S. Roman Tray RQL90. Shower Basket RSB02.

## One Door Quadrant

An ideal solution for smaller bathrooms as it will sit beautifully in the corner of your bathroom, with an unobtrusive sliding door. A 'quick release' door system is included for easy access cleaning. Also available in an offset shape for a larger showering area where space allows.

### Features and Benefits:

- 1950mm high
- 8mm glass thickness
- Chromed brass handle
- Bright silver frame
- 'Minimal' low profile seals
- Chromed top caps
- Smooth running 'quick release' roller bearings
- 25mm vertical adjustment in each profile
- Tray Compatibility: Tray or straight to floor using Roman Shield Wetroom System



Code	Description	Size (mm)	Aperture (mm)	Adjustments (mm)
V8SQ813S	One Door Quadrant	800 x 800	425	750 - 775
V8SQ913S	One Door Quadrant	900 x 900	525	850 - 875
V8SQ8913S	One Door Offset Quadrant	800 x 900	425	750 - 775 & 850 - 875
V8SQ81013S	One Door Offset Quadrant	800 x 1000	425	750 - 775 & 950 - 975
V8SQ81213S	One Door Offset Quadrant	800 x 1200	425	750 - 775 & 1150 - 1175
V8SQ91213S	One Door Offset Quadrant	900 x 1200	525	850 - 875 & 1150 - 1175

Compatible Trays	Pages
Roman Infinity Trays	95 - 96
Roman Low Level Trays	100 - 102
Roman Shield System	81



900 x 900mm Two Door Quadrant V8Q913S. Roman Tray RLO90L. Shower Basket RSB02.





900 x 1200mm Two Door Offset Quadrant V8Q91213S. Roman Tray RLQ129R. Shower Basket RSB07.

Code	Description	Size (mm)	Aperture (mm)	Adjustments (mm)
V8Q813S	Two Door Quadrant	800 x 800	330	750 - 775
V8Q8913S	Two Door Offset Quadrant	800 x 900	420	750 - 775 & 850 - 875
V8Q913S	Two Door Quadrant	900 x 900	500	850 - 875
V8Q81013S	Two Door Offset Quadrant	800 x 1000	420	750 - 775 & 950 - 975
V8Q81213S	Two Door Offset Quadrant	800 x 1200	420	750 - 775 & 1150 - 1175
V8Q91213S	Two Door Offset Quadrant	900 x 1200	510	850 - 875 & 1150 - 1175

## Two Door Quadrant

Perfect for making the most out of your corner space. The two sliding doors are an intelligent space saving tactic, as they allow access to the centre of the curve, whilst offering an indulgent showering area. 'Quick release' door system for easy cleaning access is included and it is also available in an offset shape for a larger showering area where space allows.

### Features and Benefits:

- 1950mm high
- 8mm glass thickness
- Chromed brass handle
- Bright silver frame
- 'Minimal' low profile seals
- Chromed top caps
- Smooth running 'quick release' roller bearings
- 25mm vertical adjustment in each profile
- Tray Compatibility: Tray or straight to floor using Roman Shield Wetroom System



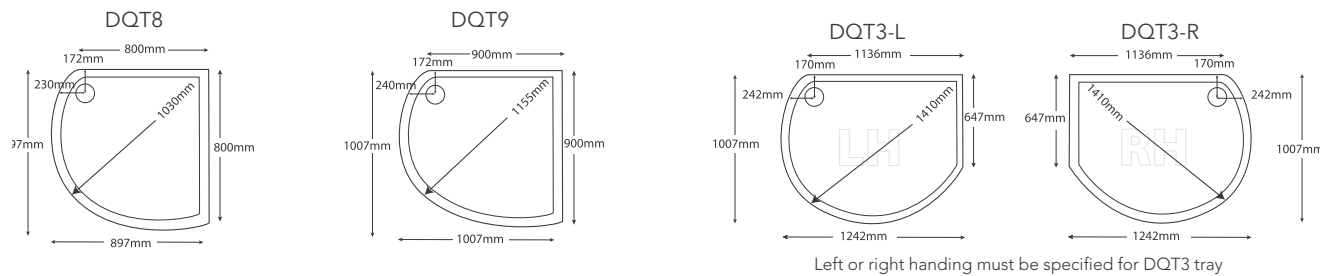
Compatible Trays	Pages
Roman Infinity Trays	95 - 96
Roman Low Level Trays	100 - 102
Roman Shield System	81



900 x 900mm Bow Fronted Quadrant V8BQ913S. Roman Tray DQT9. Shower Basket RSB07.



Offset Bow Fronted Quadrant V8BQ1113S. Roman Tray DQT3-R. Shower Basket RSB06.



Left or right handing must be specified for DQT3 tray

Code	Description	Size (mm)	Aperture (mm)	Adjustments (mm)	Tray
V8BQ813S	Bow Fronted Quadrant	800 x 800	570	840 - 865	DQT8
V8BQ913S	Bow Fronted Quadrant	900 x 900	650	950 - 975	DQT9
V8BQ1113S	Offset Bow Fronted Quadrant	1136 x 647	650	950 - 975 & 1185 - 1210	DQT3

## Bow Fronted Quadrant

This cleverly shaped Bow Fronted Quadrant will make the most out of your available bathroom space. The weight of the 8mm thick glass presents a smooth gliding door action; the sliding door avoids obstruction into the bathroom space and into the showering space, making it ideal for the smaller bathroom. The clever sizing of the 650mm x 1150mm tray takes up minimal wall space but delivers a showering area of 1200mm x 1000mm to maximise the showering area.

### Features and Benefits:

- 1950mm high
- 8mm glass thickness
- Chromed brass handle
- Bright silver frame
- 'Minimal' low profile seals
- Chromed top caps
- Smooth running 'quick release' roller bearings
- 25mm vertical adjustment in each profile
- Tray Compatibility: Suitable for dedicated tray or straight to floor using Roman Shield Wetroom System



Compatible Trays	Pages
For tray information	99
Roman Shield System	81





1000mm Pivot Door V8F1013S. Roman Tray RLT100. Shower Basket RSB06.



1000mm Pivot Door V8F1013S and 800mm Side Panel V8GL813S. Roman Tray RLT108. Shower Basket RSB06.

Code	Description	Size (mm)	Aperture (mm)	Adjustments (mm)
V8F7613S	Pivot Door	760	465	700 - 750
V8F13S	Pivot Door	800	505	740 - 790
V8F913S	Pivot Door	900	605	840 - 890
V8F1013S	Pivot Door	1000	705	940 - 990
V8GL7613S	Side Panel	760	-	710 - 735
V8GL813S	Side Panel	800	-	750 - 775
V8GL913S	Side Panel	900	-	850 - 875
VZEX2S	Extension Profile	1950 high	-	35mm extra

## Pivot Door

This outward opening door takes up minimal external space due to the positioning of the hinge point, meaning it protrudes less into the bathroom, which allows for the close positioning of bathroom fixtures and fittings. The simplicity of the Pivot Door creates a supremely efficient space saving solution. The door can be installed into an alcove or with a side panel for the corner situation.

### Features and Benefits:

- 1950mm high
- 8mm glass thickness
- Chromed brass hinges and handle
- Bright silver frame
- 'Minimal' low profile seals
- Chromed top caps
- Pivot Door must be hinged from the wall
- 25mm vertical adjustment in each profile
- Reversible for right or left hand fixing
- Tray Compatibility: Tray or straight to floor using Roman Shield Wetroom System



Compatible Trays	Pages
Roman Infinity Trays	95 - 96
Roman Low Level Trays	100 - 102
Roman Shield System	81





1000mm Pivot Door V8F1013S with 200mm In-Line Panel V8HL213S. Roman Gloss Infinity Tray IAG128. Shower Basket RSB06.





1000mm Pivot Door V8F1013S with 200mm In-Line Panel V8HL213S and 800mm Side Panel V8GL813S. Roman Gloss Infinity Tray IAG128. Shower Basket RSB06.

Code	Description	Size (mm)	Aperture (mm)	Adjustments (mm)
V8F7613S	Pivot Door	760	465	700 - 750
V8F13S	Pivot Door	800	505	740 - 790
V8F913S	Pivot Door	900	605	840 - 890
V8F1013S	Pivot Door	1000	705	940 - 990
V8HL213S	In-Line Panel	200	-	+ 200mm to door sizes
V8HL313S	In-Line Panel	300	-	+ 300mm to door sizes
V8GL7613S	Side Panel	760	-	710 - 735
V8GL813S	Side Panel	800	-	750 - 775
V8GL913S	Side Panel	900	-	850 - 875
VZEX2S	Extension Profile	1950 high	-	35mm extra

In-Line Panels can also be used with Lumin8 Sliding and Bi-Fold Doors.

## Pivot Door with In-Line Panel

This outward opening door when used with an In-Line Panel allows a larger enclosure to be created with the simplicity of the Pivot Door which creates a supremely efficient space saving solution. The Pivot Door and In-Line Panel can be installed into an alcove or with a side panel for the corner situation.

### Features and Benefits:

- 1950mm high
- 8mm glass thickness
- Chromed brass hinges and handle
- Bright silver frame
- 'Minimal' low profile seals
- Chromed top caps
- Pivot Door must be hinged from the wall
- 25mm vertical adjustment in each profile
- Reversible for right or left hand fixing
- Tray Compatibility: Tray or straight to floor using Roman Shield Wetroom System



Compatible Trays	Pages
Roman Infinity Trays	95 - 96
Roman Low Level Trays	100 - 102
Roman Shield System	81



Lumin8 1200mm Inswing Door V8KH1213S. Black Shimmer Shower Tray IAG129B. Shower Basket RSB02.



Fully opened position of Inswing Door







Lumin8 1000mm Inswing Door V8K1013S and 800mm Side Panel V8GL813S. Shower Tray RLT108. Shower Basket RSB02.

Code	Description	Size (mm)	Aperture (mm)	Adjustments (mm)
V8K7613S	Inswing Door*	760	540	700-750
V8K813S	Inswing Door*	800	580	740-790
V8K913S	Inswing Door*	900	680	840-890
V8K1013S	Inswing Door*	1000	780	940-990
V8KH1213S	Inswing Door	1200	580	1140-1190
V8GL7613S	Side Panel	760	-	710 - 735
V8GL813S	Side Panel	800	-	750 - 775
V8GL913S	Side Panel	900	-	850 - 875
VZEX2S	Extension Profile	1950 high	-	35mm extra

\*In-Line Panels can also be used with these Inswing Doors - see page 40 for details.

## Inswing Door

This cleverly designed Inswing door features a large opening without significant protrusion into the bathroom space. The unique opening mechanism allows for existing bathroom fixtures and fittings. The stylish look is completed with a bright silver frame, chromed brass machined components (including soft close mechanism) and an elegant feature handle. The 1200mm option eliminates the need for a separate in-line panel as an integrated frameless panel is included.

### Features and Benefits:

- 1950mm high
- 8mm glass thickness
- Chromed brass hinges and handle
- Bright silver frame
- Chromed top caps
- Inswing Door must be hinged from the wall
- Reversible for right or left hand fixing
- Tray Compatibility: Tray or straight to floor using Roman Shield Wetroom System



Compatible Trays	Pages
Roman Infinity Trays	95 - 96
Roman Low Level Trays	100 - 102
Roman Shield System	81





1200mm Sliding Door V8T1213S. Roman Gloss Infinity Tray IAG128. Shower Basket RSB06.



1200mm Sliding Door V8T1213S and 800mm Side Panel V8GL813S. Roman Gloss Infinity Tray IAG128. Shower Basket RSB06.

Code	Description	Size (mm)	Aperture (mm)	Adjustments (mm)
V8T1013S	Sliding Door	1000	358	940 - 990
V8T1113S	Sliding Door	1100	408	1040 - 1090
V8T1213S	Sliding Door	1200	458	1140 - 1190
V8T1413S	Sliding Door	1400	558	1340 - 1390
V8T1513S	Sliding Door	1500	658	1440 - 1490
V8T1713S	Sliding Door	1700	708	1640 - 1690
V8GL7613S	Side Panel	760	-	710 - 735
V8GL813S	Side Panel	800	-	750 - 775
V8GL913S	Side Panel	900	-	850 - 875
VZEX2S	Extension Profile	1950 high	-	35mm extra

In-Line Panels can also be used with Lumin8 Sliding and Bi-Fold Doors

## Sliding Door

The weight of the 8mm thick glass provides a smooth action sliding door, which will fit in with any bathroom style or décor and features a 'quick release' door system for easy cleaning. The Sliding Door offers wide and easy access whilst allowing design flexibility for bathroom furniture and the showering space. It exudes luxury with the effortless door action and generous door opening.

### Features and Benefits:

- 1950mm high
- 8mm glass thickness
- Chromed brass handle
- Bright silver frame
- 'Minimal' low profile seals
- Chromed top caps
- Smooth running 'quick release' roller bearings
- 25mm vertical adjustment in each profile
- Reversible for right or left hand fixing
- Tray Compatibility: Tray or straight to floor using Roman Shield Wetroom System



Compatible Trays	Pages
Roman Infinity Trays	95 - 96
Roman Low Level Trays	100 - 102
Roman Shield System	81





800mm Bi-Fold Door V8V13S. Roman Tray RLT80. Shower Basket RSB06.





800mm Bi-Fold Door V8V13S and 800mm Side Panel V8GL813S. Roman Tray RLT80. Shower Basket RSB06.

Code	Description	Size (mm)	Aperture (mm)	Adjustments (mm)
V8V7613S	Bi-Fold Door	760	460	700 - 750
V8V13S	Bi-Fold Door	800	500	740 - 790
V8V913S	Bi-Fold Door	900	600	840 - 890
V8V1013S	Bi-Fold Door	1000	700	940 - 990
V8V1213S	Bi-Fold Door	1200	900	1140 - 1190
V8GL7613S	Side Panel	760	-	710 - 735
V8GL813S	Side Panel	800	-	750 - 775
V8GL913S	Side Panel	900	-	850 - 875
VZEX2S	Extension Profile	1950 high	-	35mm extra

In-Line Panels can also be used with Lumin8 Sliding and Bi-Fold Doors

## Bi-Fold Door

Practical inward opening doors present an extremely flexible space saving solution. Ideal for use in smaller bathrooms or where there may be obstructions outside the showering area, which need to be avoided. Smooth gliding door action for effortless entry. Offers an innovative design solution for all with the maximum entry space possible.

### Features and Benefits:

- 1950mm high
- 6mm glass thickness
- Chromed brass hinges and handle
- Bright silver frame
- Chromed top caps
- 25mm vertical adjustment in each profile
- Reversible for right or left hand fixing
- Tray Compatibility: Tray or straight to floor using Roman Shield Wetroom System



Compatible Trays	Pages
Roman Infinity Trays	95 - 96
Roman Low Level Trays	100 - 102
Roman Shield System	81



1700mm Colossus V8C13S. Shower Tray FC1R. Shower Basket RSB06.



1700mm Colossus with 2 Side Panels V8CGR13S. Roman Shield Wetroom System. Shower Basket RSB06.

## 1700mm Colossus

The Lumin8 Colossus presents a bath replacement enclosure, which occupies the same wall dimensions as a standard UK bath. Its curvaceous nature bows out to create a spacious and indulgent showering space. Effortless showering with doors eliminated and sweeping level access. It imitates a wetroom in its styling, whilst providing more enclosed showering in a contemporary bathroom.

### Features and Benefits:

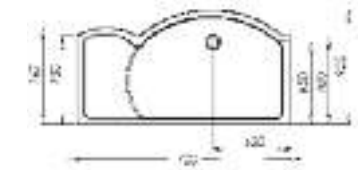
- 1950mm high
- 8mm glass thickness
- Bright silver frame
- 25mm vertical adjustment
- Chromed top caps
- Tray Compatibility: Suitable for dedicated tray or straight to floor using Roman Shield Wetroom System



1700mm Colossus with 1 Side Panel V8CG13S. Shower Tray FC1R.



Colossus with Return Panel V8CGM13S.



Left Hand Low Level Tray - FC1L

Code	Description	Size (mm)	Aperture (mm)	Adjustments (mm)
V8C13S	Colossus	1700	470	25
V8CG13S	Colossus + 1 Side Panel	1700	450	25
V8CGM13S	Colossus + Return Panel	1700	450	25
V8CGR13S	Colossus + 2 Side Panels	1700	450	25

Compatible Trays	Pages
FC1 tray information	98
Roman Shield System	81





1450mm Colossus V8C213S. Shower Tray FCT1R. Shower Basket RSB06.



1450mm Colossus with 1 Side Panel V8CG213S. Shower Tray FCT1R. Shower Basket RSB06.

## 1450mm Colossus

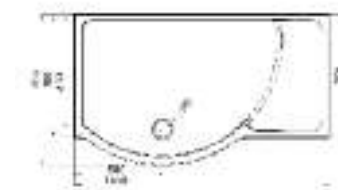
Whilst the 1750mm Colossus is a direct bath replacement (due to the 700mm wall fixing at each end of the tray) the 1450mm version offers a luxurious curved Walk-in option in and around standard shower enclosure footprints. Due to the curved panel the showering area is maximised at all times.

### Features and Benefits:

- 1950mm high
- 8mm glass thickness
- Bright silver frame
- 25mm vertical adjustment
- Chromed top caps
- Tray Compatibility: Suitable for dedicated tray or straight to floor using Roman Shield Wetroom System

Code	Description	Size (mm)	Aperture (mm)	Adjustments (mm)
V8C213S	Colossus	1450	465	25
V8CG213S	Colossus + 1 Side Panel	1450	435	25
V8CGM213S	Colossus + Return Panel	1450	435	25
V8CGR213S	Colossus + 2 Side Panels	1450	435	25

Tray handing must be specified - for information please see page 98.



Left Hand Low Level Tray - FCT1L

Compatible Trays	Pages
For FCT1 tray see page	98
Roman Shield System	81



Showering position

Wave Curved Walk-in V8SPC13S. Shower Tray V8STL. Shower Basket RSB06.





Stow position

Wave Curved Walk-in V8SPC13S. Shower Tray V8STL. Shower Basket RSB06.

# Wave Walk-in

Create a true style statement in your bathroom with our beautiful Lumin8 Curved Walk-in. The curvaceous nature of the Walk-in presents a luxuriously large showering area – and the curved glass which helps to create improved water integrity cleverly stows inside its own curve when not in use.

A frameless 700mm wetroom panel option is available if used in a corner situation.

### Features and Benefits:

- 1950mm high
- 8mm glass thickness
- Bright silver frame
- Fixed Curved Panel
- Inward opening curved moving panel - rotates through 180 degrees
- Optional Chromed brass brace bar included
- Clear PVC bottom seal on deflector panel
- 25mm vertical adjustment
- Chromed top caps
- Tray Compatibility: Suitable for dedicated tray or straight to floor using Roman Shield Wetroom System

Code	Fixed Panel (mm)	Moving Panel (mm)	Size (mm)	Aperture (mm)	Adjustments (mm)	Tray
V8SPC13S	740	430	1200	435	25mm	V8ST
V8SPC1413S	920	430	1400	435	25mm	V8ST14

### Side Panel

Code	Size (mm)	Adjustments (mm)
V8CGPA	700mm	25mm

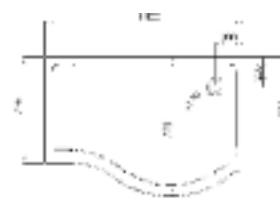
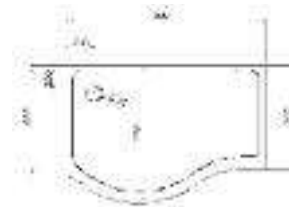
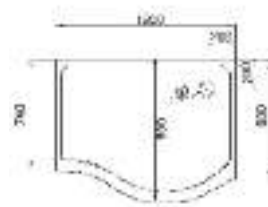
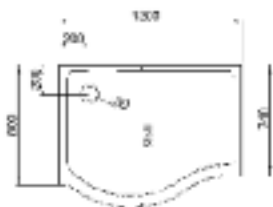
Tray handing must be specified

V8STL - Left Hand

V8STR - Right Hand

V8ST14L - Left Hand

V8ST14R - Right Hand



Finger pull hole

Compatible Trays	Pages
For trays see page	98
Roman Shield System	81

# Lumin8 Bespoke Service

Simply choose which product you would like, then follow these six easy steps:

1. Take your drawings to your nearest retailer who will fax them to Roman. For your nearest retailer contact Roman International Sales on +44 (0) 1325 327989 or visit [www.roman-showers.com](http://www.roman-showers.com)
  2. Roman will then send a quotation to your retailer for them to discuss with you.
  3. If you are happy with this quotation Roman will produce a drawing to illustrate what your final product will look like.  
Note: Roman will make all drawings in accordance to your measurements and unless otherwise requested, an adjustment allowance will be included. Please specify your adjustment allowance prior to ordering.
  4. Roman will then fax the drawing to your retailer who will pass this on to you. This drawing will be in the form of a fax back agreement for you to sign\*.
  5. Once Roman receives the agreement, work will begin on your product.
  6. You will receive your product within 5-6 weeks - lead times vary for International orders.
- \* Once this agreement is signed you will be liable for any charges should you cancel your order.



Bi-Fold Door and Side Panel with frosted Modesty Panels



Reduced height Pivot Door with angled Side Panel



Pivot Door with frosted glass and Side Panel with angled/frosted glass



Reduced height Sliding Door

#### BI-FOLD DOOR

##### Bespoke options:

- Reduced height
- Reduced width
- Frosted glass

#### PIVOT DOOR

##### Bespoke options:

- Reduced height
- Reduced width
- Frosted glass
- Angled (Side Panels)

#### PIVOT DOOR WITH IN-LINE PANEL

##### Bespoke options:

- Reduced height
- Reduced width
- Frosted glass
- Angled (Side Panels and In-Line Panels)

#### SLIDING DOOR

##### Bespoke options:

- Reduced height
- Reduced width
- Frosted glass

For full pricing details and ordering process please go to [www.roman-showers.com/roman-customers/available-downloads/](http://www.roman-showers.com/roman-customers/available-downloads/)



# Haven

Roman's Haven range of Showers offers you all the qualities you would expect from the Roman Brand - for complete peace of mind. The innovative and affordable Haven designs are backed by Roman's 30 years of showering experience, offering high quality products complete with a comprehensive after sales service.

All Haven products are designed by Roman's in-house team of Designers to offer a diverse range of contemporary products, at an affordable price. The Haven collection encompasses an array of quadrant, bi-fold, pivot, sliding and corner entry enclosures, a selection of side panels and in-line panels, stylish bath screens and wetroom panels. Haven enclosures and bath screens feature toughened safety glass and bright silver framing, which effortlessly and seamlessly complement all bathroom shapes and styles. They are all pre-coated with Roman Ultra Care glass protection.





1200 x 900mm Quadrant H2SQ129CS. Shower Tray RLQ129R.



## One Door Curved Quadrant

The polished sliding door design of this Haven Quadrant presents a stylish and perfect space saving solution for the bathroom. The smooth gliding door allows for existing bathroom furniture, whilst also providing a luxuriously large showering area. The Quadrant features 'quick release bearings' to enable easy cleaning of the enclosure. It is available in five different size configurations including offset versions for bathrooms that have more space on one wall and less on another.

### Features and Benefits:

- Height: 1850mm
- Glass Thickness: 6mm
- Tray Compatibility: 550mm radius
- Smooth running bearing assemblies in the top and bottom rails
- 'Quick release bearings' in the bottom rail
- Full length colourless PVC and magnetic seals
- Chromed brass handle
- Chromed plastic top caps
- Easy Installation
- Reversible for left or right hand tray



N.B. The smaller panel will always be on the short side of the tray

Code	Size (mm)	Aperture (mm)	Adjustment (mm)	Roman Tray Compatibility
H2SQ9CS	900 x 900	450	870 - 890	RLQ90 / IA9Q / IA9QG
H2SQ98CS	900 x 800	450	870 - 890 & 770 - 790	RLQ89*
H2SQ810CS	1000 x 800	450	770 - 790 & 970 - 990	RLQ108*
H2SQ812CS	1200 x 800	450	770 - 790 & 1170 - 1190	RLQ128*
H2SQ129CS	1200 x 900	450	1170 - 1190 & 870 - 890	RLQ129*

\*Must specify handing of tray

Compatible Trays	Pages
Roman Infinity Trays	95 - 96
Roman Low Level Trays	100 - 102
Roman Shield System	81



900 x 900mm Quadrant H209CS.





800 x 1000mm Offset Quadrant H2Q810CS/R.

## Two Door Curved Quadrant

Elegant minimalism meets curvaceous lines to create a stylish and inspirational showering solution. This Quadrant is a perfect configuration for when space is at a premium. The two sliding doors are a clever space-saving tactic, whilst offering an indulgent showering area. The 'quick release' mechanism makes for easy cleaning.

### Features and Benefits:

- Height: 1850mm
- Glass Thickness: 6mm
- Tray Compatibility: 550mm radius
- Smooth running bearing assemblies in the top and bottom rails
- 'Quick release bearings' in the bottom rail
- Full length colourless PVC and magnetic seals
- Chromed brass handles on inside and outside of enclosure
- Chromed plastic top caps
- Easy Installation
- Reversible for left or right hand fixing



Compatible Side and In-Line Panels available - see page 63

Code	Size (mm)	Aperture (mm)	Adjustment (mm)	Roman Tray Compatibility
H2Q8CS	800 x 800 x 1850	350	770 - 790	RLQ80
H2Q9CS	900 x 900 x 1850	520	870 - 890	RLQ90 / IA9Q / IA9QG
H2Q98CS	900 x 800 x 1850	435	870 - 890 & 770 - 790	-
H2Q810CS	1000 x 800 x 1850	435	770 - 790 & 970 - 990	RLQ108*
H2Q812CS	1200 x 800 x 1850	435	770 - 790 & 1170 - 1190	RLQ128*
H2Q129CS	1200 x 900 x 1850	520	1170 - 1190 & 870 - 890	RLQ129*

\*Must specify handing of tray

Compatible Trays	Pages
Roman Infinity Trays	95 - 96
Roman Low Level Trays	100 - 102
Roman Shield System	81

# Bi-Fold Door

The in-fold design of the inward opening Haven Bi-Fold Door makes clever use of available space with minimum bathroom intrusion. The precision crafted door glides and hinges ensure the toughened glass effortlessly folds back into the shower surround, whilst the sleek chrome frame maintains a sturdy and secure unit. It is available with a frameless side panel for corner installation.

## Features and Benefits:

- Height: 1850mm
- Glass Thickness: 4mm
- Chromed plastic top caps
- Smooth running bearing assemblies running in the top and bottom rail
- Easy Installation
- Reversible for left or right hand fixing



Compatible Side and In-Line Panels available - see page 63

Compatible Trays	Pages
Roman Infinity Trays	95 - 96
Roman Low Level Trays	100 - 102
Roman Shield System	81



800mm Bi-Fold Door H2B8CS.



800mm Bi-Fold Door H2B8CS. Side Panel H2R8CS.

Code	Size (mm)	Aperture (mm)	Adjustment (mm) Alcove Fitting	Adjustment (mm) With Side Panel	Roman Tray Compatibility
H2B76CS	760	425	700 - 750	723 - 773	RLT76
H2B8CS	800	475	740 - 790	763 - 813	RLT80
H2B9CS	900	575	840 - 890	863 - 913	RLT90
H2B10CS	1000	675	940 - 990	963 - 1013	RLT100 / IA108 / IA108G



800mm Pivot Door H2P8CS. Side Panel H2R8CS.



800mm Pivot Door H2P8CS.

## Pivot Door

The modern styling of the outward opening Haven Pivot Door creates a supremely efficient and flexible solution to suit any number of showering configurations. The carefully engineered door cleverly takes up less external space when opened to allow for other bathroom fixtures and fittings. The Haven Pivot Door can be installed in a recess, or combined with a Haven Side Panel to create a personalised and striking showering space.

### Features and Benefits:

- Height: 1850mm
- Glass Thickness: 6mm
- Watertight magnetic seals
- Chromed brass bolt through handle
- Chromed plastic top caps
- Smooth operation hinges with chromed plastic cover caps
- Reversible for left or right hand fixing



Code	Size (mm)	Aperture (mm)	Adjustment (mm) Alcove Fitting	Adjustment (mm) With Side Panel	Roman Tray Compatibility
H2P76CS	760	440	700 - 750	723 - 773	RLT76
H2P8CS	800	480	740 - 790	763 - 813	RLT80
H2P9CS	900	580	840 - 890	863 - 913	RLT90

Compatible Side and In-Line Panels available - see page 63

Compatible Trays	Pages
Roman Infinity Trays	95 - 96
Roman Low Level Trays	100 - 102
Roman Shield System	81



# Sliding Door

The stylish sliding doors glide effortlessly on the single unobtrusive top rail and the 'quick release' mechanism featured on the bottom rail makes cleaning a simple task. It is an ideal solution when space is at a premium as the sliding doors do not project into the bathroom. It can be combined with a Haven Side Panel or in-line panel to create a larger showering area to suit all your showering needs.

## Features and Benefits:

- Height: 1850mm
- Glass Thickness: 6mm
- PVC / magnetic seals
- Chromed brass bolt through handle
- Chromed plastic top caps
- Smooth running bearing assemblies in the top and bottom rails
- 'Quick release bearings' in the bottom rail
- Reversible for left or right hand fixing



1200mm Sliding Door H2S12CS. Shower Tray RLT128.



1700mm Sliding Door H2S17CS. Side Panel H2R8CS. Shower Tray RLT178

Compatible Side and In-Line Panels available - see page 63

Compatible Trays	Pages
Roman Infinity Trays	95 - 96
Roman Low Level Trays	100 - 102
Roman Shield System	81

Code	Size (mm)	Aperture (mm)	Adjustment (mm)		Roman Tray Compatibility
			Alcove Fitting	With Side Panel	
H2S10CS	1000	370	940 - 990	963 - 1013	RLT108 / IA108 / IA108G
H2S11CS	1100	420	1040 - 1090	1063 - 1113	RLT118
H2S12CS	1200	470	1140 - 1190	1163 - 1213	RLT128 / IA128 / IA128G / IA129 / IAG129
H2S13CS	1300	470	1240 - 1290	1263 - 1313	-
H2S14CS	1400	570	1340 - 1390	1363 - 1413	RLT149 / IA149 / IA149G
H2S15CS	1500	570	1440 - 1490	1463 - 1513	RLT158
H2S16CS	1600	620	1540 - 1590	1563 - 1613	RLT168 / IA168 / IA168G
H2S17CS	1700	720	1640 - 1690	1663 - 1713	RLT178



760mm Corner Entry H2C76CS.

## Corner Entry

The Haven Corner Entry is an ideal showering solution for when entry through the diagonal is more practical, but without the compromise on showering space. The 'quick release' system on the bottom of each door allows quick and unobstructed cleaning. The Corner Entry is available in a range of sizing options, including offset versions.

### Features and Benefits:

- Height: 1850mm
- Glass Thickness: 6mm
- PVC / magnetic seals
- Chromed brass bolt through handles
- Chromed plastic top caps
- Smooth running bearing assemblies in the top and bottom rails
- 'Quick release bearings' in the bottom rail
- Extension profiles available to take up to 800mm size if necessary depending upon installation
- Reversible for left or right hand fixing

Code	Size (mm)	Aperture (mm)	Adjustment (mm)	Roman Tray Compatibility
H2C7CS	700 x 700	347	670 - 690	-
H2C76CS	760 x 760	389	730 - 750	RLT76
H2C769CS	760 x 900	441	730 - 750 & 870 - 890	RLT769
H2C7610CS	760 x 1000	486	730 - 750 & 970 - 990	RLT107
H2C8CS	800 x 800	418	770 - 790	RLT80
H2C9CS	900 x 900	488	870 - 890	RLT90
H2C10CS	1000 x 1000	570	970 - 990	RLT100
H2C79CS	700 x 900	421	670 - 690 & 870 - 890	RLT79
H2C89CS	800 x 900	454	770 - 790 & 870 - 890	-
H2C812CS	800 x 1200	580	770 - 790 & 1170 - 1190	RLT128 / IA128 / IA128G

Compatible Trays	Pages
Roman Infinity Trays	95 - 96
Roman Low Level Trays	100 - 102
Roman Shield System	81

# Haven Side Panels, In-Line Panels and Extension Profiles

The Haven Side Panels and In-Line Panels are compatible with the Haven Bi-Fold, Pivot and Sliding Doors. The Extension Profile extends all doors and panels.

## Features and Benefits:

- Height: 1850mm
- Glass Thickness: 6mm
- Chromed plastic top caps
- Reversible for left or right hand fixing



800mm Side Panel H2R8CS.



800mm Bi-Fold Door H2B8CS. 400mm In-Line Panel H2HL3CS.

Code	Description	Size (mm)	Adjustment (mm)
H2R7CS	Side Panel	700 x 1850	640 - 690
H2R76CS	Side Panel	760 x 1850	700 - 750
H2R8CS	Side Panel	800 x 1850	740 - 790
H2R9CS	Side Panel	900 x 1850	840 - 890
H2HL2CS	In-Line Panel	200 x 1850	+200mm to door
H2HL3CS	In-Line Panel	300 x 1850	+300mm to door
HZEXT	Extension Profile		40mm extra





# Wetroom Panels

Complete inclusivity and minimalism in the showering area is achieved with our exceptional collection of wetroom systems.

## Wetroom Ranges:

Decem<sup>X</sup>

Decem<sup>X</sup> 'Expressions'

Embrace

Select

Roman Shield Wetroom System

Installing a Wetroom

Wetroom shower panels are a more open alternative to a shower enclosure, which usually consist of just one glass panel. This can either be positioned in a corner or on a straight wall. Wetroom panels can be installed onto a shower tray, or installed straight down to floor. When wetroom panels are installed on to a low level shower tray it simulates a wetroom look removing the traditional step up into the showering area and offering level access entry. When installing straight to floor, your floor and walls must be waterproof (tanked). You can use a system such as our Roman Shield to tank your space, which includes everything you need to tank a room, including complete wetroom kits to make the process easy.

The Roman Wetroom Collection offers a variety of heights, shapes, glass thicknesses and price points – with a multitude of design options to choose from.

Wetroom Panel DXFCP12CF. 'L' Return Panel DXFCPL2.  
Roman Shield Wetroom System. Shower Basket RSB05.





Wetroom Panel DXFCP12CF. Infinity Gloss Shower Tray IAG129. Shower Basket RSB05



Wetroom Panel DXFCP8CF. 'L' Return Panel DXFCPL2.  
Infinity Gloss Shower Tray IAG129. Shower Basket RSB01.

## DECEM

### Wetroom Panel and optional 'L' Return Panel with Concealed Wall Profile

Minimalist pieces create a boutique showering space. Frameless panels in a range of size options. Concealed Profile for a 'floating' glass effect. Additional Return Panel option available. Install to tray or wetroom floor. Effortless access with sweeping door-less and level entry access.

#### Features and Benefits:

- Glass Height - 2000mm
- Glass Thickness - 10mm
- Concealed wall profile supplied
- Suitable for installation onto tray or wetroom floor
- Roman Ultra Care glass protection included
- 15mm of adjustment in each minimal wall profile
- Optional 'L' shaped return panel
- Reversible for left or right hand fitting
- LBBK4590 bracing bar can be ordered if required for additional support

Panel Size (mm)	Style	Fitting Type	Adjustment (mm)	Order Code required:
800	Wetroom Panel	Concealed	722 - 740	DXFCP8CF
900	Wetroom Panel	Concealed	822 - 840	DXFCP9CF
1000	Wetroom Panel	Concealed	922 - 940	DXFCP10CF
1200	Wetroom Panel	Concealed	1122 - 1140	DXFCP12CF
230	'L' Return Panel	-	+17 to above	DXFCPL2
430	'L' Return Panel	-	+17 to above	DXFCPL4
1060 (Max)	Bracing Bar	-	Cut to suit	LBBK4590



Compatible Trays	Pages
Roman Infinity Trays	95 - 96
Roman Low Level Trays	100 - 102
Roman Shield System	81



Wetroom Panel DXFCP12. 'L' Return Panel DXFCPL2.  
Roman Shield Wetroom System. Shower Basket RSB05.





Wetroom Panel DXFCP12. Infinity Gloss Shower Tray IAG129. Shower Basket RSB05.



Wetroom Panel DXFCP8. 'L' Return Panel DXFCPL2.  
Infinity Gloss Shower Tray IAG129. Shower Basket RSB01.

## DECEM

### Wetroom Panel and optional 'L' Return Panel with Exposed Wall Profile

#### Features and Benefits:

- Glass Height - 2000mm
- Glass Thickness - 10mm
- Decem surface mounted profile
- Decem bracing bar for optional usage supplied as standard
- Suitable for installation onto tray or wetroom floor
- Roman Ultra Care glass protection included
- 15mm of adjustment in each minimal wall profile
- Optional 'L' shaped return panel
- Reversible for left or right hand fitting

Panel Size (mm)	Style	Fitting Type	Adjustment (mm)	Order Code required:
800	Wetroom Panel	Exposed	765 - 780	DXFCP8
900	Wetroom Panel	Exposed	865 - 880	DXFCP9
1000	Wetroom Panel	Exposed	965 - 980	DXFCP10
1200	Wetroom Panel	Exposed	1165 - 1180	DXFCP12
240	'L' Return Panel	-	+25 to above	DXFCPL2
440	'L' Return Panel	-	+25 to above	DXFCPL4



Compatible Trays	Pages
Roman Infinity Trays	95 - 96
Roman Low Level Trays	100 - 102
Roman Shield System	81

# DECEM

## Expressions

printed glass technology

Decem<sup>x</sup> Expressions, a significant innovation in digital glass printing on wetroom panels – it is an exclusive technology to Roman.

This breakthrough has been achieved due to a collaboration of technologies with digital print specialists Dimax.

Unlike all current printed glass this new technology allows any images to be printed directly on to the glass, whilst all other areas of the glass remain transparent and crystal clear. The colours are directly printed on to the glass; this is done with a specific thermo-procedure.

This unique digital printing process also provides the option of a Satinato finish, which was not digitally possible before. Roman can control the colour and level of opaqueness desired on the glass design.

Importantly this exclusive digital glass printing is both water resistant and protected against abrasion, which makes it ideal to use in the bathroom.

Decem<sup>x</sup> Expressions with three glass design options – Distressed Brick; Glass Block; and a Rainforest image which all carry a lifetime guarantee.



1200 Expressions Glass Block Panel left hand DXFC12GPL.  
Roman 1600 x 800 Gloss Infinity Tray IAG168.





900 Expressions Rainforest Panel left hand DXFC9RPL.  
Roman Shower Basket RSB06.





900 Expressions Brick Panel left hand DXFC9BPL. Roman Shower Basket RSB06.





# DECEM

## Expressions

printed glass technology

### Features and Benefits:

- Glass Height - 2000mm
- Panel height with brace bar - 2029mm
- Decem surface mounted profile
- Decem bracing bar for optional usage supplied as standard
- Suitable for installation onto tray or wetroom floor
- 15mm of adjustment in each minimal wall profile for easy installation
- Optional 'L' shaped return panel

In order to assure quality, regular Cross Hatch tests (EN1502409, ASTM0870 and AS TM D2247) are conducted and documented to prove the durability of prints. They are warranted to CE Marking: EN12150 and EN14428.

### Project Applications

Roman has initially launched Decem<sup>x</sup> Expressions with three glass design options – Glass Block; Rainforest and Distressed Brick. Whilst these three are on 'trend' and designated for the higher end of the interior design led retail bathroom market, the process lends itself perfectly for the Project market. Designers can now easily link up other design themes through a Project directly onto a larger and visible position within the bathroom via the glass and there are no restrictions on colour or resolution.



### Wetroom Panel with Exposed Wall Profile

Panel Size (mm)	Style	Fitting Type	Adjustment (mm)	Order Codes:		
				Glass Block	Rainforest	Distressed Brick
800	Wetroom Panel	Exposed	765 - 780	DXFCP8GP	DXFCP8RP	DXFCP8BP
900	Wetroom Panel	Exposed	865 - 880	DXFC9GP	DXFCP9RP	DXFCP9BP
1000	Wetroom Panel	Exposed	965 - 980	DXFC10GP	DXFCP10RP	DXFCP10BP
1200	Wetroom Panel	Exposed	1165 - 1180	DXFC12GP	DXFCP12RP	DXFCP12BP
200	'L' Return Panel	-	+25 to above	DXFCPL2GP	DXFCPL2RP	DXFCPL2BP

Must indicate left or right handing of panel e.g.: DXFCP9GPL or DXFC9GPR

Compatible Trays	Pages
Roman Infinity Trays	95 - 96
Roman Low Level Trays	100 - 102
Roman Shield System	81





Embrace 700mm Curved Wetroom Panel ESPC7. Roman Acrylic Capped Tray RLT128. Shower Basket RSB03.



Embrace 800mm Curved Wetroom Panel ESPC813S with Roman Corner Wetroom Panel ESP713S. Roman Acrylic Capped tray RLT128. Shower Basket RSB03.

## Embrace Curved Wetroom Panel

The Embrace Curved Wetroom Panel exudes style and luxury standing at 2000mm high with 8mm thick glass and provides effortless level access entry for all users. It incorporates contemporary chromed brass wall bracing to ensure full support and maintain the position of the wetroom panel.

### Features and Benefits:

- Height: 2000mm
- Frame: Silver
- Glass thickness: 8mm
- Bright silver frame with 25mm of adjustment
- Chromed bracing bar supplied with 1000mm and above corner panels (LBBK4590 brace bar supplied - see page 79.)
- Chromed brass adjustable panel foot included
- Chromed top caps
- For use in alcove or corner with additional panel
- Due to the nature of the product water integrity cannot be guaranteed - please consult your installer
- Tray compatibility: Tray or straight to floor using Roman Shield Wetroom System

Code	Description	Size (mm)	Aperture (mm)	Adjustment (mm)	Suit Tray Size (mm)
ESPC713S	Curved Panel	700	550	612 - 635	1100 / 1200
ESPC813S	Curved Panel	800	580	783 - 808	1200 / 1400
ESPC913S	Curved Panel	900	580	883 - 908	1400 / 1500 / 1600

Where fitting with corner panel is required for corner installation (*illustrated above*) please use one of the following:

Code	Size (mm)	Adjustment (mm)
ESP613S	600	578 - 603
ESP713S	700	678 - 703
ESP813S	800	778 - 803
ESP913S	900	878 - 903

Compatible Trays	Pages
Roman Infinity Trays	95 - 96
Roman Low Level Trays	100 - 102
Roman Shield System	81

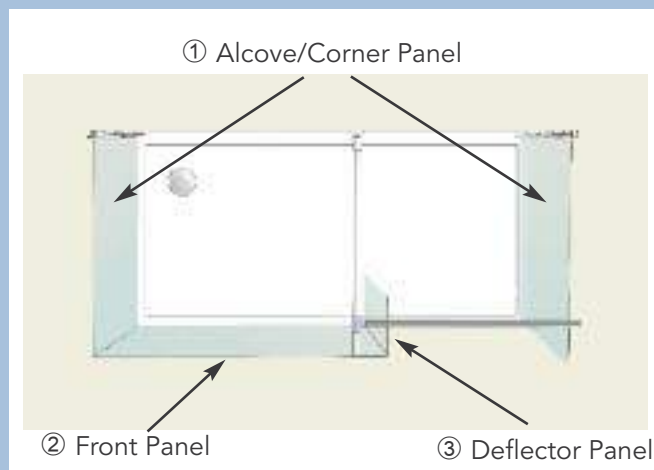
# Select Wetroom Solutions

The perfect way to create a wetroom - tailored to your own style

Roman's Select Collection features our Wetroom Panel options, which can be fitted to our low level shower trays or straight to floor to create a true wetroom. We present a number of panel sizes and options, to help you create your perfect bathroom sanctuary. Included are the various configurations that are available to suit you and your bathroom.

All Panels are 2000mm high and available in either 8mm glass thickness or 10mm glass thickness.

## Selecting your configuration



Select the size of panel you require in either 8 or 10mm glass thickness; select your configuration; select between a fixed or pivoting deflector panel; and select your desired bracing bars.

please see pages 76 - 81 for more information





A selection of configurations which can be achieved to create corner, linear and alcove installations



Front Panel ②, Corner Panel ①, Pivoting Deflector Panel ③, Brace Bar LBBK4590



x2 Corner Panels ①, Fixed Deflector Panel ③, Brace Bars LBBKT90 and LBBK4590



Linear Panel ④, x2 Pivoting Deflector Panels ③, x2 Brace Bars LBBK4590



Corner Panel ①, Bracing Kit RF2C8KIT



Corner Panel ①, Brace Bar LBBK4590



Front Panel ②, x2 Corner Panels ①, Pivoting Deflector Panel ③, Brace Bars LBBK4590 and LBBK4510

please see pages 77 - 81 for more information

## Select Fixed or Pivoting Deflector Panel

Deflector panels can be added to your wetroom panel to increase the water integrity for your wetroom. The Pivoting Panel rotates through 180 degrees allowing you to fold it inwards for wider entry access and it can be positioned inline to add more length to the wetroom panel, adding increased water integrity. The Fixed Panel is placed at the end of the wetroom panel and is static to help guide the water back into the showering area, to help keep the outside of your wetroom area drier. An adjustable panel foot is also supplied with the Fixed Panel.

### Features and Benefits:

- Panel Foot adjusts from 4mm to 29mm to accommodate high and low level trays
- Panel foot is chromed brass with soft rubber base
- Panel foot is cut down on site to suit the shower tray



Adjustable panel foot



Linear Panel ④, x2 Fixed Deflector Panels ③, x2 Brace Bars LBBK4590



Front Panel ②, Corner Panel ①, Pivoting Deflector Panel ③,  
Brace Bar LBBK4590

please see pages 78 - 81 for more information

- ① Alcove/Corner Panel includes wall fixing kit allowing +/- 7.5mm of vertical adjustment.
- ② Front Panel includes corner fixing kit.
- ③ Deflector Panel includes fixed or pivoting corner fixing kit.
- ④ Linear Panel includes freestanding floor fixing kit.

All panels are 2000mm in height

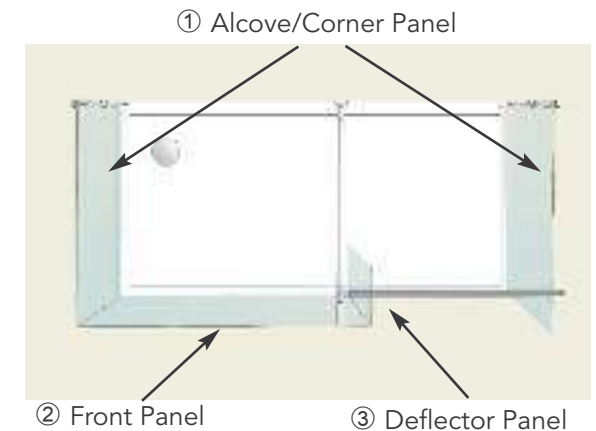
Shower Panels & Fittings Description	8mm Glass Thickness		10mm Glass Thickness	
	Actual Width(mm)	Order Code	Actual Width(mm)	Order Code
<b>① Alcove/Corner Panel</b>				
600 Corner Wet Room Panel	565	V8SP613S	557	V10SP613S
700 Corner Wet Room Panel	665	V8SP713S	657	V10SP713S
760 Corner Wet Room Panel	725	V8SP7613S	717	V10SP7613S
800 Corner Wet Room Panel	765	V8SP813S	757	V10SP813S
900 Corner Wet Room Panel	865	V8SP913S	857	V10SP913S
1000 Corner Wet Room Panel	965	V8SP1013S	957	V10SP1013S
1100 Corner Wet Room Panel	1065	V8SP1113S	1057	V10SP1113S
1200 Corner Wet Room Panel	1165	V8SP1213S	1157	V10SP1213S
1400 Corner Wet Room Panel	1365	V8SP1413S	1357	V10SP1413S
<b>② Front Panel</b>				
600 Front Wet Room Panel	567	V8FP613S	556	V10FP613S
700 Front Wet Room Panel	667	V8FP713S	656	V10FP713S
760 Front Wet Room Panel	727	V8FP7613S	716	V10FP813S
800 Front Wet Room Panel	767	V8FP813S	756	V10FP813S
900 Front Wet Room Panel	867	V8FP913S	856	V10FP913S
1000 Front Wet Room Panel	967	V8FP1013S	956	V10FP1013S
1100 Front Wet Room Panel	1067	V8FP1113S	1056	V10FP1113S
1200 Front Wet Room Panel	1167	V8FP1213S	1156	V10FP1213S
<b>③ Deflector Panel</b>				
200 Fixed Deflector Panel	226	V8SPL213S	226	V10SPL213S
200 Pivoting Deflector Panel	243	V8SPM213S	243	V10SPM213S
300 Pivoting Deflector Panel	343	V8SPM313S	343	V10SPM313S
400 Pivoting Deflector Panel	443	V8SPM413S	443	V10SPM413S
<b>④ Linear Panel</b>				
1000 Linear Wet Room Panel	955	V8LP1013S	940	V10LP1013S
1100 Linear Wet Room Panel	1067	V8LP1113S	1040	V10LP1113S
1200 Linear Wet Room Panel	1167	V8LP1213S	1140	V10LP1213S
1400 Linear Wet Room Panel	1355	V8LP1413S	1340	V10LP1413S

No brace bars included - please see page 79 to select your style of Bracing required or for Panel and Tray Packs see page 80

## Select Brace Bars and Tray and Panel Packs

Please see page 79 to select your style of Bracing required.

For Panel and Tray Packs see page 80





# Brace Bars

Roman provides a number of different styles of bracing bars, which can be used with 8mm and 10mm glass thicknesses. We offer all configurations that may be required and they can be cut and trimmed to the size required during installation to allow maximum flexibility and use of space. Bracing kits are used to provide added support for the glass and ensure that it is securely fitted in place.

Our bracing bars range from Ceiling Bracing Kits to 45 Degree Angle Bracing Kits and from Curved Bracing Kits to Floor to Ceiling Bracing Kits. We have something to suit the enclosure style, your bathroom area and your preference, to present the highest level of stability.



Description	Code	Size (mm) Max	Adjustments (mm) Min	For use with Glass Thickness
<b>1 Low Level Bracing Kit*</b>	LBBK4590	1030	Cut to suit	8mm / 10mm
<b>2 Side Panel Brace Kit</b> (use with LBBK4590)	LBBKT90		Cut to suit	8mm / 10mm
<b>3 Ceiling Bracing Kit</b>	LBBKC50	560	Cut to suit	8mm / 10mm
<b>4 Floor to Ceiling Brace Kit</b>	RF2C8KIT	2700 high	Cut to suit	8mm
<b>5 High Level Bracing Kit</b>	FBBK10	1135	Cut to suit	8mm / 10mm

\*For use straight back to wall or can be cut to 45° if required for corner fixing as illustrated in 1 and 1(b).

N.B. Adjustments are measured from the wall to the inside of the glass.



Alcove Pack



Corner Pack

## Select Walk-in Panels and Tray Pack

An all in one package is now available for the Select Walk-in Panel and Tray, which provides you with everything you need to create a stunning wetroom features in your bathroom. The Select Walk-in Panel and Tray is available under a combined code for ease of purchase. The pack includes a front wetroom panel, a corner panel if ordering a corner package, brace bar and 90mm waste.



Tray included with the pack is a Roman Acrylic Capped Stone low level 40mm in height. For full tray details see pages 101.

### Alcove Packages

Includes: 1 Panel, Wall Fixing Kit, 1 Brace Bar (LBBK4590), Tray and 90mm Waste

Shower Panels & Tray		8mm Glass Thickness	10mm Glass Thickness
Description Panels	Tray Size (mm)	Order Code	Order Code
<b>Panel Pack Alcove</b>	1400 x 900	V8W149AS	V10W149AS
<b>Panel Pack Alcove</b>	1500 x 800	V8W158AS	V10W158AS
<b>Panel Pack Alcove</b>	1600 x 800	V8W168AS	V10W168AS
<b>Panel Pack Alcove</b>	1700 x 800	V8W178AS	V10W178AS

Tray included with the pack is a Roman Acrylic Capped Stone low level 40mm in height.

### Corner Packages

Includes: 2 Panels, Wall Fixing Kits, 2 Brace Bars (LBBK4590 & LBBKT90), Tray and 90mm Waste

Shower Panels & Tray		8mm Glass Thickness	10mm Glass Thickness
Description Panels	Tray Size (mm)	Order Code	Order Code
<b>Panel Pack Corner</b>	1400 x 900	V8W149CS	V10W149CS
<b>Panel Pack Corner</b>	1500 x 800	V8W158CS	V10W158CS
<b>Panel Pack Corner</b>	1600 x 800	V8W168CS	V10W168CS
<b>Panel Pack Corner</b>	1700 x 800	V8W178CS	V10W178CS

# Constructing a Wetroom

Roman presents the all in one wetroom solution with Roman Shield. The Roman Shield Wetroom System includes everything you need to tank a room, including complete wetroom kits to make the process easy. We have a range of kits to choose from including those which contain our Pre-formed Shower Floor. The Solid Surface Shower Floor is designed to be installed onto your joist and then tanked and tiled over – it creates a natural fall towards the waste so you don't need to use a levelling compound, and it also gives the added reassurance of a tray beneath the tanking system, for total water integrity.



For more information and to view a short video podcast of the Nine Easy Step Installation guide, or to download our technical installation manual visit our website:  
[www.roman-showers.com](http://www.roman-showers.com)  
 or call Roman Customer Relations on +44 (0) 1325 328033 for further details.



## Waste Assemblies



## ROMAN SHIELD

Pre-formed Shower Floor

Easy to install



European Technical Approval ETA - 0910200

### Tray Former Specifications:

- Designed with 22mm thick edge work to be compatible with WBP board
- Can be trimmed by 50mm around the edges to miss joists if necessary
- Self-supporting - Installation directly to joists with no additional support
- Nonporous
- Off-centre waste to avoid joists
- 17mm of fall to waste
- Available in 2 sizes: 1000 x 1000mm and 1350 x 850mm
- Suitable for installation to: timber floors, floating floors and concrete floors
- Available with a choice of 2 waste assemblies:
  - a. Tile (RSHSFWT) - supplied with a fast flow waste and stainless steel cover - height adjustable to be compatible with a wide range of tiles
  - b. Vinyl (RSHSFVW) - supplied with a fast flow waste and pressed stainless steel cover which is screw fixed to the waste body - height adjustable to be compatible with 2 - 4mm vinyl
- 10 year Guarantee
- Manufactured from Roman Stone, Solid Surface Technology

### Tray Former and Waste Assemblies

Code	Description
RSHSF10	1000 x 1000mm Pre-formed Shower Floor
RSHSF138	1350 x 850mm Pre-formed Shower Floor
RSHSFWT	Roman Shield Waste for Tiles
RSHSFVW	Roman Shield Waste for Vinyl

N.B. Adjustments are measured from the wall to the inside of the glass.



For more information on how to calculate coverage visit [www.roman-showers.com](http://www.roman-showers.com)



## Tanking Kits

**Roman Shield Tanking Kit 1: (Covers approx. 10m<sup>2</sup>)**  
 Product Code RSH01

Includes:  
 2ltr of Primer  
 15m of Roman Shield Tape  
 1 self-adhesive Shower Outlet Sleeve (drain mat)  
 9kg of Roman Tanking Compound  
 Installation Instructions & Guarantee Card

**Roman Shield Tanking Kit 2: (Covers approx. 10m<sup>2</sup>)**  
 Product Code RSH12

Includes:  
 RSH01 Tanking Kit 1 (see above)  
 RSH02 Internal Corners x4  
 RSH04 External Corners x  
 RSH06 Pipe Sleeves x2

## Complete Wetroom Kits

**Roman Shield Wetroom System 1: (Covers approx. 10m<sup>2</sup>)**  
 Product Code RSHWP01

Includes:  
 RSH01 Tanking Kit 1  
 RSHSF10 Pre-Formed Shower Floor  
 RSHSFWT Waste for Tiles

**Roman Shield Wetroom System 2: (Covers approx. 10m<sup>2</sup>)**  
 Product Code RSHWP02

Includes:  
 RSH01 Tanking Kit 1  
 RSHSF138 Pre-Formed Shower Floor  
 RSHSFWT Waste for Tiles

**Roman Shield Wetroom System 3: (Covers approx. 10m<sup>2</sup>)**  
 Product Code RSHWP03

Includes:  
 RSH12 Tanking Kit 2  
 RSHSF10 Pre-Formed Shower Floor  
 RSHSFWT Waste for Tiles

**Roman Shield Wetroom System 4: (Covers approx. 10m<sup>2</sup>)**  
 Product Code RSHWP04

Includes:  
 RSH12 Tanking Kit 2  
 RSHSF138 Pre-Formed Shower Floor  
 RSHSFWT Waste for Tiles





Lumin8 Frameless Hinged Bath Screen V8BL13SR.

# Bath Screens

Bath Screens continue to be a very popular choice for showering facilities over the bath, due to the shrinking size of bathrooms and the growing popularity of multiple bathrooms in the family home.

Many homes now have two or three bathrooms, which tend to be smaller and more compact as opposed to a spacious family bathroom. Due to this, Bath Screens have increased in popularity as they are often specified for the main family bathroom to give an additional showering facility, which helps to overcome the morning rush to the shower. Combi-boilers and higher pressure plumbing systems have now created a demand for power shower approved bath screens.

Roman's extensive range of Bath Screens offers something to suit everyone's requirements and style of bathroom. We offer a range of sizes, shapes, glass thicknesses and styles designed to fit around any existing bathroom fixtures and fittings. Our range includes power shower approved bath screens for a superior showering experience, which incorporate a unique seal system for added water integrity.

# DECEM Hinged Bath Screen

## Features and Benefits:

- Glass height - 1500mm
- Glass thickness - 10mm
- Self-closing hinges
- Choice of curved or straight chromed brass hinges
- Outward opening for ease of cleaning
- Integrated 'bathtop' Water Safe System for excellent water integrity
- Suitable for use with power showers
- Roman Ultra Care glass protection included
- 15mm of adjustment in each minimal wall profile for easy installation
- Reversible for left or right hand fitting



Bath Screen DXBLB. Shower Basket RSB02.



Curved Hardware

Square Hardware



Bath Screen	Size (mm)	Hardware Style	Adjustment
DXBLA	830	Curved	815 - 830
DXBLB	830	Square	815 - 830



Lumin8 Frameless Hinged Bath Screen V8BL13SR.



Lumin8 Frameless Bath Screen V8B13S.

## Lumin8 Frameless Bath Screen

Luxury 8mm thick glass presents a minimalist designer look. Power Shower approved with unique seal system for use with pumped and pressurised water systems, for an indulgent showering experience. The outward opening panel makes it easy access for cleaning. Designed to work around your existing fixtures and fittings.

## Frameless Hinged Bath Screen

This deluxe 8mm thick glass bath screen features stylish chromed hinges. Once again power shower approved but offering a different styling option with luxury hinges to provide a superior showering experience. Practically designed to fit around your current fixtures and fittings. The outward opening panel creates easy access for cleaning.

### Features and Benefits:

- 1500mm high
- 8mm glass thickness
- Chromed brass hinges
- Bright silver frame
- Power shower approved with unique seal system
- 25mm vertical adjustment in each profile
- Glass pre-coated with Roman Ultra Care
- V8B13S - reversible for left or right hand fixing
- V8BL13S - left or right handing must be specified



Code	Description	Size (mm)	Adjustments (mm)
V8B13S	Frameless Bath Screen	835	810 - 835
V8BL13S	Frameless Hinged Bath Screen	835	810 - 835

N.B. Please indicate left or right handing when order V8BL13S e.g. V8BL13SL or V8BL13SR



# Lumin8 Inward Folding Bath Screen

Power shower approved for an uncompromised showering experience. Designed with discreet profiling and indulgent 8mm thick toughened glass. This bath screen features one fixed panel and one inward opening panel. Cleverly designed to avoid your existing fittings.

## Features and Benefits:

- Height: 1500mm
- Frame: Silver
- Glass thickness: 8mm
- Vertical adjustment: 25mm
- Horizontal PVC seal and vertical magnetic seals
- Inward opening only
- Fixed panel and pivoting screen
- Bath top aluminium seal for added water integrity
- Suitable for use with power showers



Lumin8 Folding Bath Screen OBV13SL. Shower Basket RSB05.



Lumin8 Folding Bath Screen in closed position.

*As used in top hotels all over the world*

Code	Total Width (mm)	Width Folded (mm)	Adjustment (mm)
OBV13S	910	520	885 - 910

Must indicate left or right handing of bath screen e.g. OBV13SR or OBV13SL.



Left Hand

Right Hand

Choose the screen which best suits your bathroom requirements



Lumin8 Outward Folding Bath Screen OBV213SL in open position



Lumin8 Outward Folding Bath Screen OBV213SL

Please note this outward opening panel stops at 90° to avoid colliding with any furniture - ideal for small compact bathrooms and hotel rooms

Code	Total Width (mm)	Width Folded (mm)	Adjustment (mm)
OBV213S	910	620	885 - 910

Must indicate left or right handing of bath screen e.g. OBV213SR or OBV213L

## Lumin8 Outward Folding Bath Screen

8mm thick toughened glass for a substantial finish. Minimalist framing for a designer look. The bath screen features one fixed panel and one outward opening panel. Designed to work around your existing fixtures and fittings. Power shower approved for an indulgent showering experience.

### Features and Benefits:

- Height: 1500mm
- Adjustment 885 -910mm
- Outward opening (hinges stop at 90° to avoid contact with basins and furniture)
- Optional Bracing Bar included
- Bath top aluminium seal for added water integrity
- Power shower approved

OBV213SL -  
Left Hand illustration



# Lumin8

## Concealed Fix Bath Screens

The OBV3 Bath Screen presents a truly minimalist design with its concealed profile, whilst also providing water integrity with its reliable integrated 'bath top' seal. The outward folding Bath Screen incorporates one fixed panel and one opening panel to offer easy access cleaning. The clever opening panel stops at 90° to avoid bathroom fixtures and fittings.

The OBV4 power shower approved Bath Screen provides an exceptional over the bath showering experience. The inward folding Bath Screen incorporates toughened 8mm thick glass and a concealed fix profile system to present a minimalist designer look. The Bath Screen includes one fixed panel and one inward pivoting panel to allow easy entry into the bath and easy access cleaning.

### Features and Benefits:

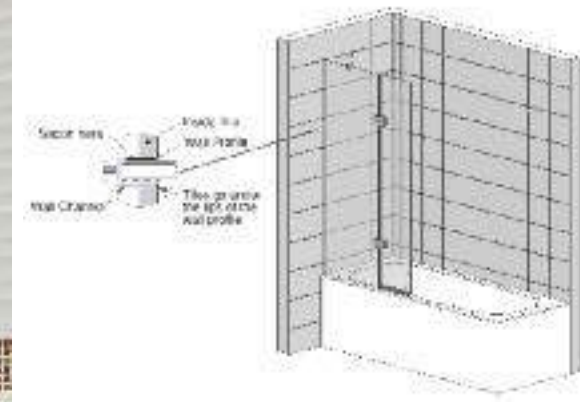
- Height: 1500mm
- Concealed fix profile system
- Glass thickness: 8mm
- Fixed panel and hinge screen
- Horizontal PVC seal and vertical magnetic seals
- **OBV3** - Outward opening (hinges stop at 90° to avoid contact with basins and furniture)
- **OBV4** - Inward opening only
- Optional Bracing Bar included with OBV3
- Bath top aluminium seal for added water integrity
- Suitable for use with power showers



Lumin8 Outward Opening Concealed Fix Bath Screen OBV3. Shower Basket RSB02.



Hinges stop at 90°



Optional Bracing Bar included



Bath top aluminium seal for added water integrity

Code	Description	Total Width (mm)	Width Folded (mm)	Adjustment (mm)
OBV313S	Outward Opening	540	850	832 - 850
OBV413S	Inward Opening	850	450	832 - 850

Must indicate left or right handing of bath screen e.g. OBV313SL or OBV313SR.





## Lumin8 Inward Folding Bath Screen

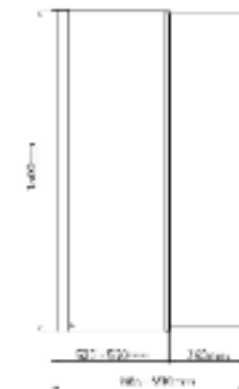
Take an indulgent shower over the bath with this minimalist and power shower approved bath screen. It features 8mm thick glass with one fixed panel and one inward folding panel, providing easy entry into the bath for showering and cleaning. Its discreet nature makes sure it avoids contact with all existing bathroom furniture, making it the ideal space saving solution for the smaller bathroom.

### Features and Benefits:

- 1500mm high
- 8mm glass thickness
- Bright silver frame
- Power shower approved
- 25mm vertical adjustment in each profile
- Glass pre-coated with Roman Ultra Care

Lumin8 Inward Folding Bath Screen V8BV13S.

Code	Description	Total Width (mm)	Width Folded (mm)	Adjustment (mm)
V8BV13S	Inward Opening	885 - 910	525 - 550	885 - 910



# Embrace Bath Screen

Available in clear or frosted glass this bath screen features a unique sealing system between to ensure areas prone to leakage remain water tight, whilst still allowing 180° movement of the glass panel. A narrow version is available for fitting to shorter baths.

## Features and Benefits:

- Height: 1500mm
- Frame: Silver
- Glass thickness: 6mm clear or frosted
- Reversible for left or right hand fixing
- Unique sealing system between vertical and horizontal aluminium
- Suitable for use with power showers
- EB213S suitable for use with smaller baths (i.e 1500mm)



Embrace Bath Screen EB13S. Shower Basket RSB04.

Code	Width (mm)	Glass	Adjustment (mm)
EB13S	820	Clear	810 - 835
EB213S	700	Clear	678 - 703
EB99S	820	Frosted	810 - 835

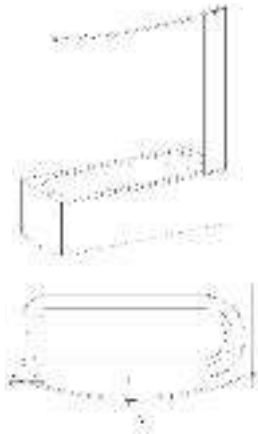


Embrace Bath Screen EB99S.

V8CC113S - The Mini-Fixed Screen complements an existing curtain rail installation and reduces splashing around the back of the curtain and water seepage along the top end of the bath.



V8CC213S - The Mini-Fixed Screen complete with curtain rail (no curtain included) and wall attachments ensures a watertight shield to retain water in the bath. The curtain is held in place at the top and is less likely to allow water leakage out of the bath area. Rail length to suit 1700mm bath maximum.



Code	Adjustment (mm)
V8CC113S	243 - 257
V8CC213S	243 - 257



V8CC213S

## Lumin8 Mini Fixed Bath Screen

Provides greater water integrity when using a shower curtain. The screen provides protection at the showering end of your shower curtain. It directs the water back into the showering area to improve this traditionally weak spot. The curved rail cleverly bows out to move the curtain away from the showering area to give a more comfortable and spacious showering experience.

### Features and Benefits:

- Height: 1500mm
- Frame: Silver
- Glass thickness: 8mm
- Suitable for all standard bath mixer and electric showers (non-pumped)
- Reversible for left or right hand fixing
- To be used in conjunction with shower curtains (no hooks or curtain supplied)
- Curved rail to increase showering comfort with a curtain





## Haven Bath Screens

There are four stylish bath screens available in the Haven range - each offering a perfect and unique over the bath showering solution. The Angled Bath Screen comes complete with an integrated towel rail for the ultimate style statement, and features a rising hinge system which enables the screen to be raised slightly during cleaning and to be lowered during use for a stronger seal mechanism. The Curved Bath Screen offers a new take on the contemporary bath screen; its curvaceous lines create both a practical and stylish screen.



### Angled Bath Screen

#### Features and Benefits:

- Height: 1500mm. Width: 850mm
- Glass Thickness: 6mm
- Frameless with radius glass
- Reversible for left or right hand applications
- Suitable for all standard bath mixer and electric showers
- Not recommended for use with pumped or pressurised systems
- Bright silver aluminium towel rail

Code	Description	Size (mm)	Adjustment (mm)
H2D1CS	Angled Bath Screen	1500 x 850	850-875



### Curved Bath Screen

#### Features and Benefits:

- Height: 1360mm. Width: 820mm
- Glass Thickness: 5mm
- Frameless with radius glass
- Reversible for left or right hand applications
- Suitable for all standard bath mixer and electric showers
- Not recommended for use with pumped or pressurised systems
- Rotates through 180° for access

Code	Description	Size (mm)	Adjustment (mm)
H2D2CS	Curved Bath Screen	1360 x 820	810-825



## Standard Bath Screen

### Features and Benefits:

- Height: 1360mm. Width: 820mm
- Glass Thickness: 5mm
- Frameless with square glass
- Suitable for all standard bath mixer and electric showers
- Not recommended for use with pumped or pressurised systems
- Rotates through 180° for access
- Reversible for left or right hand applications

Code	Description	Size (mm)	Adjustment (mm)
H2D3CS	Standard Bath Screen	1360 x 820	810-825



## Inward Folding Bath Screen

### Features and Benefits:

- Height: 1362mm. Width: 930mm open/540mm closed
- Glass Thickness: 6mm Fixed Panel, 5mm Hinged Panel
- Frameless with radius glass
- Reversible for left or right hand applications
- Suitable for use with power showers

Code	Description	Size (mm)	Adjustment (mm)
H2D5CS	Inward Folding Bath Screen	1362 x 930	923 - 938

# Glass Protection

## The Ultimate Bathroom Protector on glass

All Roman's enclosures and bath screens are pre-coated with Roman Ultra Care, our own unique glass protection system. Pre-coated glass protection systems will always diminish in their effectiveness over time, depending on how often the shower is used and how often it is cleaned. Unlike other systems, Roman Ultra Care in a bottle can be used in tandem with the pre-coat to build up the effectiveness and make it stronger the more you clean.

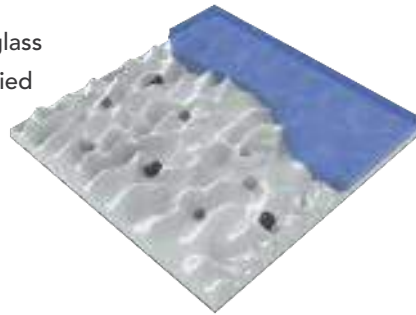
Roman Ultra Care is an award winning bathroom protector and has a 10 year track record for successfully protecting Roman's extensive product range. When applied to the glass of an enclosure or bath screen it creates a chemical barrier which provides protection against the build-up of grime, limescale and stains. The protective barrier means water glides off the glass with ease. This results in the protected surface remaining easy to clean by simply applying a mild detergent and wiping with a damp cloth or using a Roman Shower Blade.

By topping up the glass protection system with Roman Ultra Care in a bottle every time you clean, you can significantly reduce the amount of time required to clean your enclosure and bathroom surfaces. Most importantly, you can considerably prolong the life of your Roman product and at the same time do your bit for the environment by eliminating the use of harsh and damaging cleaning products.



Winner of the House Beautiful Best Cleaning Product Award 2009

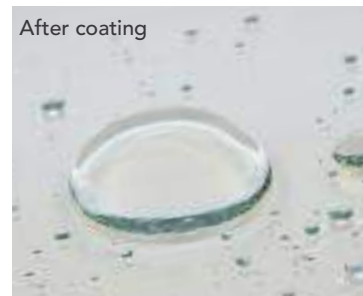
Simulation of glass surface magnified



All glass surfaces have a non smooth finish which can attract the build-up of particles. Roman Ultra Care provides an invisible protective film which seamlessly seals the surface to ensure this build-up does not bond to the glass and the glass retains its optical clarity for lasting sparkle.



Before coating



After coating

## Ongoing After Care

To maintain the long lasting sparkle of your Roman enclosure or bath screen and aid the Ultra Care pre-coated glass protection; Roman Ultra Care can be purchased in a user friendly 750ml sized bottle. This can be purchased for only £14.95 from your local Roman Bathroom Retailer, or alternatively from [www.romanathome.com](http://www.romanathome.com)

Roman Ultra Care is not limited to the cleaning and protection of your shower enclosure or bath screen, it can also be used to protect other bathroom surfaces, which are not pre-coated, including glass, tiles, aluminium frames, taps, trays, sinks and baths.

Simply wipe down your bathroom surfaces after use and apply Roman Ultra Care with a soft cloth.

Roman Ultra Care can be used weekly as part of your bathroom cleaning routine.

The more you apply Roman Ultra Care the more protection you create for your enclosure, therefore your enclosure will maintain its high quality finish for longer. Without using Roman Ultra Care, your pre-coated glass protection will diminish over time.

**Important information to help you maintain your Roman product:**

Ensure you clean your product using a mild detergent diluted in water and then polish off using a soft damp cloth. Apply a coat of Roman Ultra Care after each clean to build-up the protective film on the surface.

If you live in a hard water area, periodically clean your product using a 50/50 solution of white vinegar and water. The solution should be left on the enclosure for approximately 5 minutes then rinsed off using warm water.

1. Do not use acidic based products which are unsuitable for cleaning enamel surfaces.
2. Do not use abrasive cleaners or cleaners containing bleach or solvents, these products will adversely affect the finish of the aluminium profiles.
3. Do not use scouring pads, powder or any sharp instruments when cleaning your Roman enclosure.



For more information contact Roman on:  
Direct Dial: +44 (0) 1325 327989

750ml bottle (RUCO3)  
(minimum quantity for stockists 12 bottles (RUC13))



Cleaning

RSB0100

Roman Shower Blade



# Trays

Our diverse range of trays and wetroom solutions offer the user a choice of installations depending on the desired finish. Our range of level access shower trays is manufactured from solid surface material, and cleverly create a simulated wetroom look. These solid surface trays are available in a range of sizes, and incorporates our Infinity Tray range which has a single angle flow to waste with a stylish load bearing solid surface waste cover. Our Infinity Tray collection also presents true originality with our low level Shimmer Trays, featuring a stunning shimmer finish. These unique designs include radiant black, glittering grey and twinkling white shimmer finishes. The standard acrylic capped stone shower trays are also available in a selection of heights, shapes and sizes.

## Types:

- Infinity Trays
- Neo Angle Trays
- Lumin8 Trays
- Gloss Trays
- Roman Low Level Trays



## Level access Infinity Trays

To create the ultimate modern minimalist look Roman introduce the Infinity Tray range which is available in the choice of a matt or gloss finish. Our Infinity Trays offer a breakthrough in technology as they can be installed straight to joists so that once the floor tiles are laid it creates level entry access into the shower area. Manufactured from Roman Stone, the Infinity Trays are strong and durable. They achieve their level access feature due to them being only 40mm nominal height. This product provides the added reassurance of a tray, with the minimalist design and level access of a wetroom. The flawless styling of the Infinity Trays has been designed with a single angle flow to the waste. The waste is suitable for power shower systems and carries away 25 litres of water per minute. This exclusive chic look is completed with a stylish load bearing solid surface waste cover which still allows access to the waste for cleaning.

### Features and Benefits:

- Ultra low profile
- Gloss or Matt\* finish available in white
- Shimmer options in gloss only
- Manufactured using Roman Stone Solid Surface Technology
- One angle of slope to waste to maximise flow rating
- Fast flow waste included, fully concealed with solid surface cover piece
- Due to the nature of the product water integrity cannot be guaranteed when fitting with a wetroom panel. Please consult your installer.



Grey Shimmer



## Shimmer Trays

Exclusive additions to our Infinity Tray collection are original low level shower trays, featuring a stunning shimmer finish. These unique additions include a radiant black, glittering grey and twinkling white shimmer finishes.



Black Shimmer



White Shimmer



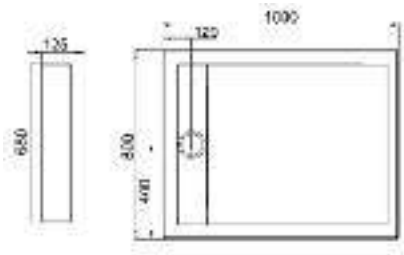
Grey Shimmer



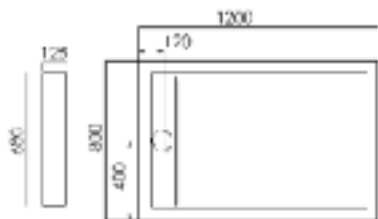
### \* Anti Slip Trays

Matt Trays have been tested to:  
BS7679-2:2002+A1:2013 –Slip potential – low DIN 51097:1992 Class C

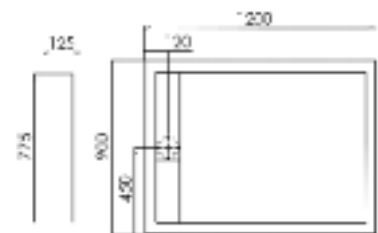
1000 x 800mm



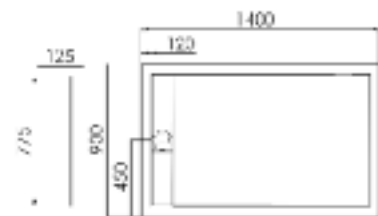
1200 x 800mm



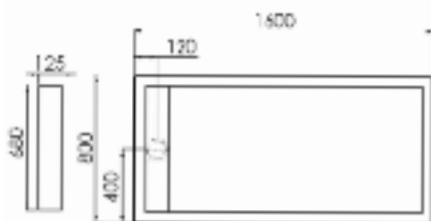
1200 x 900mm



1400 x 900mm



1600 x 800mm



**\* Anti Slip Trays**

Matt Trays have been tested to:

BS7679-2:2002+A1:2013 – Slip potential – low DIN 51097:1992 Class C

Code	Size (mm)	Colour	Finish
------	-----------	--------	--------

**RECTANGLE**

IA108*	1000 x 800	White	Matt
IAG108	1000 x 800	White	Gloss
IAG108B	1000 x 800	Shimmer Black	Gloss
IAG108W	1000 x 800	Shimmer White	Gloss
IAG108G	1000 x 800	Shimmer Grey	Gloss

IA128*	1200 x 800	White	Matt
IAG128	1200 x 800	White	Gloss
IAG128B	1200 x 800	Shimmer Black	Gloss
IAG128W	1200 x 800	Shimmer White	Gloss
IAG128G	1200 x 800	Shimmer Grey	Gloss

IA129*	1200 x 900	White	Matt
IAG129	1200 x 900	White	Gloss
IAG129B	1200 x 900	Shimmer Black	Gloss
IAG129W	1200 x 900	Shimmer White	Gloss
IAG129G	1200 x 900	Shimmer Grey	Gloss

IA149*	1400 x 900	White	Matt
IAG149	1400 x 900	White	Gloss
IAG149B	1400 x 900	Shimmer Black	Gloss
IAG149W	1400 x 900	Shimmer White	Gloss
IAG149G	1400 x 900	Shimmer Grey	Gloss

IA168*	1600 x 800	White	Matt
IAG168	1600 x 800	White	Gloss
IAG168B	1600 x 800	Shimmer Black	Gloss
IAG168W	1600 x 800	Shimmer White	Gloss
IAG168G	1600 x 800	Shimmer Grey	Gloss

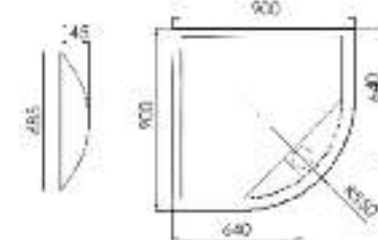
**QUADRANT**

IA9Q*	900 x 900	White	Matt
IAG9Q	900 x 900	White	Gloss
IAG9QB	900 x 900	Shimmer Black	Gloss
IAG9QW	900 x 900	Shimmer White	Gloss
IAG9QG	900 x 900	Shimmer Grey	Gloss

## Level access Infinity Trays



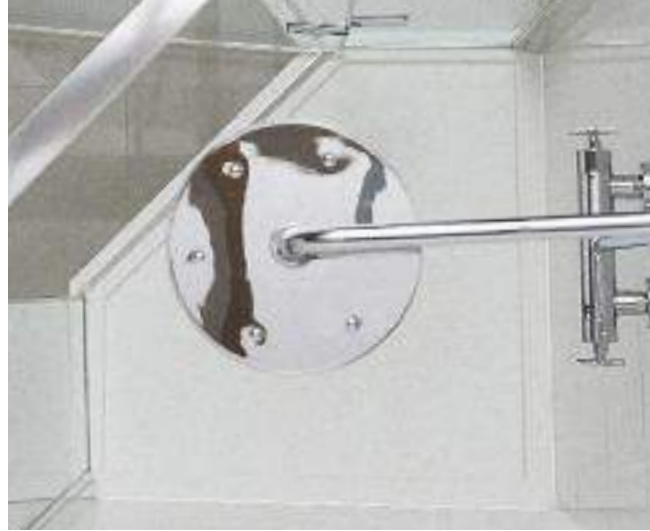
900 x 900mm Quadrant





# Square and Neo Angle Trays

Manufactured from Roman Stone using Solid Surface Technology and incorporate a stylish chrome waste – presenting a sublime finish. When installed it offers a small step into the showering area. These trays are suitable for use with power shower systems and carry away 25 litres of water per minute. The dedicated Neo Angle Tray is suitable for the Decem Neo-Angle enclosure.



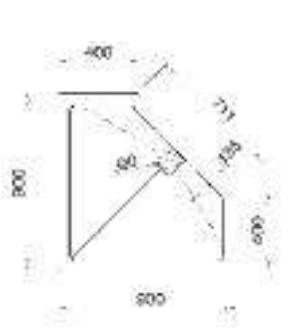
Black Shimmer



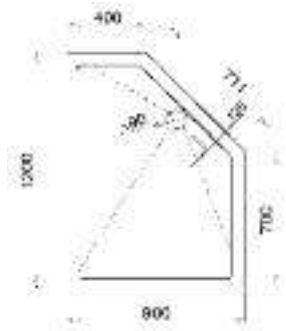
White shimmer



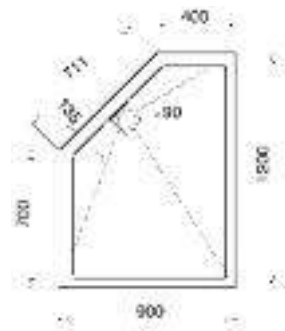
Grey Shimmer



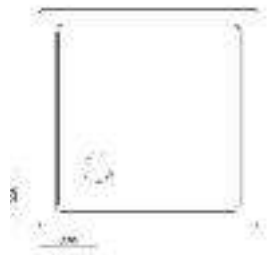
DNT9



DNT129 Right Hand



DNT129 Left Hand



SA



Waste Dimensions

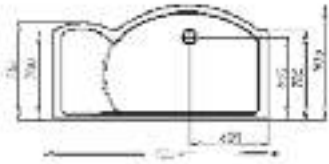
Code	Size (mm)	Colour	Finish
DNT9*	900 x 900	White	Matt
DNTG9	900 x 900	White	Gloss
DNT129L*	1200 x 900 LH	White	Matt
DNTG129L	1200 x 900 LH	White	Gloss
DNT129R*	1200 x 900 RH	White	Matt
DNTG129R	1200 x 900 RH	White	Gloss
DNT9B	900 x 900	Shimmer Black	Gloss
DNT129LB	1200 x 900 LH	Shimmer Black	Gloss
DNT129RB	1200 x 900 RH	Shimmer Black	Gloss
DNT9W	900 x 900	Shimmer White	Gloss
DNT129LW	1200 x 900 LH	Shimmer White	Gloss
DNT129RW	1200 x 900 RH	Shimmer White	Gloss
DNT9G	900 x 900	Shimmer Grey	Gloss
DNT129LG	1200 x 900 LH	Shimmer Grey	Gloss
DNT129RG	1200 x 900 RH	Shimmer Grey	Gloss
SA8*	800 x 800mm	White	Matt
SA9*	900 x 900mm	White	Matt
SA10*	1000 x 1000mm	White	Matt

### \* Anti Slip Trays

Matt Trays have been tested to:

BS7679-2:2002+A1:2013 –Slip potential – low DIN 51097:1992 Class C

## Lumin8 1700 Colossus Tray - see page 48

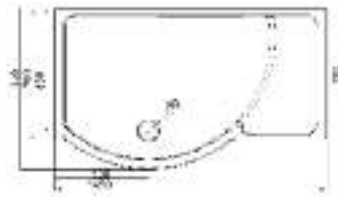


Left Hand Low Level Tray - FC1L

Must indicate left or right handing e.g. FC1L or FC1R

Code	Size (mm)	Colour	Finish
FC1*	1700 x 700	White	Matt
FCG1	1700 x 700	White	Gloss
FCG1LB	1700 x 700 LH	Shimmer Black	Gloss
FCG1RB	1700 x 700 RH	Shimmer Black	Gloss
FCG1LW	1700 x 700 LH	Shimmer White	Gloss
FCG1RW	1700 x 700 RH	Shimmer White	Gloss
FCG1LG	1700 x 700 LH	Shimmer Grey	Gloss
FCG1RG	1700 x 700 RH	Shimmer Grey	Gloss

## Lumin8 1450 Colossus Tray - see page 50

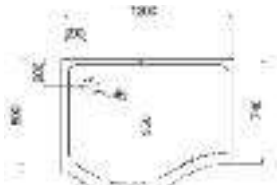


Left Hand Low Level Tray - FCT1L

Must indicate left or right handing e.g. FCT1L or FCT1R

FCT1*	1450 x 700	White	Matt
FCTG1	1450 x 700	White	Gloss
FCTG1LB	1450 x 700 LH	Shimmer Black	Gloss
FCTG1RB	1450 x 700 RH	Shimmer Black	Gloss
FCTG1LW	1450 x 700 LH	Shimmer White	Gloss
FCTG1RW	1450 x 700 RH	Shimmer White	Gloss
FCTG1LG	1450 x 700 LH	Shimmer Grey	Gloss
FCTG1RG	1450 x 700 RH	Shimmer Grey	Gloss

## Lumin8 Wave Walk-in Tray - see page 52

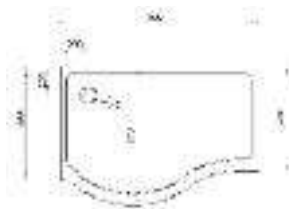


Left Hand Low Level Tray - V8STL

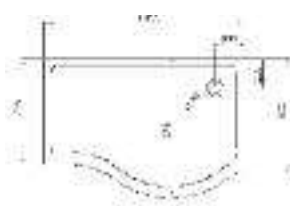


Right Hand Low Level Tray - V8STR

V8STL*	1200 x 800 LH	White	Matt
V8STGL	1200 x 800 LH	White	Gloss
V8STR*	1200 x 800 RH	White	Matt
V8STGR	1200 x 800 RH	White	Gloss
V8STGLB	1200 x 800 LH	Black Shimmer	Gloss
V8STGRB	1200 x 800 RH	Black Shimmer	Gloss
V8STGLW	1200 x 800 LH	White Shimmer	Gloss
V8STGRW	1200 x 800 RH	White Shimmer	Gloss
V8STGLG	1200 x 800 LH	Grey Shimmer	Gloss
V8STGRG	1200 x 800 RH	Grey Shimmer	Gloss



Left Hand Low Level Tray - V8ST14L



Right Hand Low Level Tray - V8ST14R

V8ST14L*	1400 x 800 LH	White	Matt
V8ST14GL	1400 x 800 LH	White	Gloss
V8ST14R*	1400 x 800 RH	White	Matt
V8ST14GR	1400 x 800 RH	White	Gloss
V8ST14GLB	1400 x 800 LH	Black Shimmer	Gloss
V8ST14GRB	1400 x 800 RH	Black Shimmer	Gloss
V8ST14GLW	1400 x 800 LH	White Shimmer	Gloss
V8ST14GRW	1400 x 800 RH	White Shimmer	Gloss
V8ST14GLG	1400 x 800 LH	Grey Shimmer	Gloss
V8ST14GRG	1400 x 800 RH	Grey Shimmer	Gloss

Must indicate left or right handing e.g. V8STL or V8STR

# Lumin8 Trays

Roman's Lumin8 range of enclosures feature product specific low level trays manufactured from Roman Stone. These level access trays incorporate a 50mm nominal profile which when installed create a simulated wetroom look. The Lumin8 Tray range is suitable for use with power shower systems and carries away 25 litres of water per minute.

### Features and Benefits:

- Level access tray
- 50mm nominal height
- Roman Stone Solid Surface Technology
- Gloss gel coated surface and matt satin options
- Includes chrome grid waste and fast flow trap
- Suitable for use with power shower systems rated up to 25 litres per minute



Lumin8 Tray Waste Dimensions

### \* Anti Slip Trays

Matt Trays have been tested to:

BS7679-2:2002+A1:2013 - Slip potential - low DIN 51097:1992 Class C

# Lumin8 Quadrant Trays

To suit Lumin8 Curved Quadrants we offer our elegant Gloss trays, which have been manufactured using Roman Stone, Solid Surface Technology. These minimalistic low level trays incorporate a gel coating to give a superior high gloss finish.

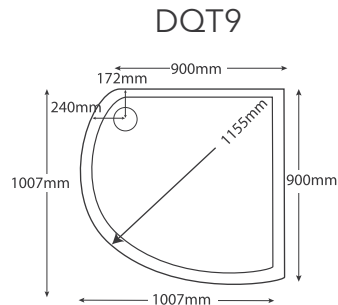
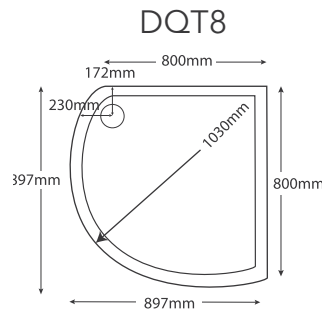
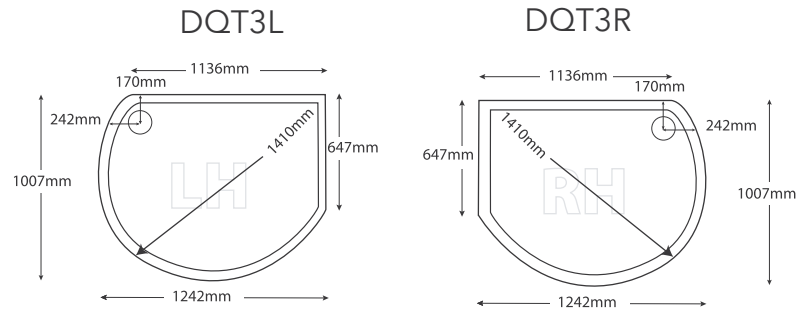
### Features and Benefits:

- 50mm nominal height
- 90mm waste trap
- Manufactured using Roman Stone - Solid Surface Technology
- Gloss gel coated surface
- Must indicate left or right handing of DQT3 tray e.g. DQT3/L or DQT3/R



# Gloss Bow Fronted Quadrant Trays

To suit Lumin8 Quadrant Enclosures - see page 36



Code	Colour	Finish
DQT3L	White LH	Gloss
DQT3R	White RH	Gloss
DQT3LB	Shimmer Black LH	Gloss
DQT3RB	Shimmer Black RH	Gloss
DQT3LW	Shimmer White LH	Gloss
DQT3RW	Shimmer White RH	Gloss
DQT3LG	Shimmer Grey LH	Gloss
DQT3RG	Shimmer Grey RH	Gloss
DQT8	White	Gloss
DQT8B	Shimmer Black	Gloss
DQT8W	Shimmer White	Gloss
DQT8G	Shimmer Grey	Gloss
DQT9	White	Gloss
DQT9B	Shimmer Black	Gloss
DQT9W	Shimmer White	Gloss
DQT9G	Shimmer Grey	Gloss





## Acrylic Capped Stone Roman Trays

In its diverse range of footprints and gloss finish, the Roman Tray range perfectly complements our diverse range of shower enclosures to deliver something truly stunning and unique for every installation. The power shower approved, easy clean, 90mm rapid drain outlet works with the sleek lines of the tray, allowing up to 32 litres of water to be carried away per minute. Incorporating a 40mm profile, the Roman Tray when installed offers a small step into the shower enclosure. Manufactured from composite resin capped acrylic it is easy to install as it offers the option of flat to floor or raised on legs installation.



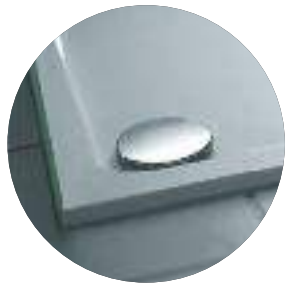
See next page for details

# Acrylic Capped Stone Roman Trays

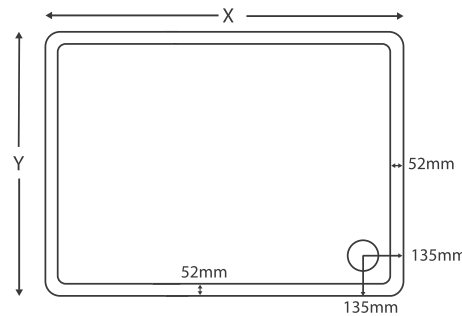
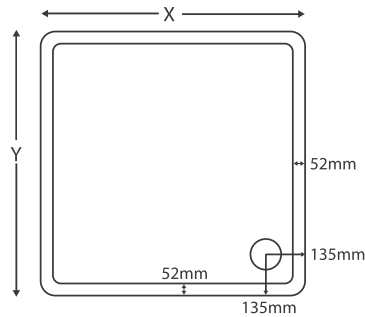
The Roman Tray perfectly complements a diverse range of shower enclosures to present a unique and flawless look for every installation. The trays feature a gel coating displaying a sleek gloss finish. They are exceptionally easy to install as they offer the option of flat to floor or raised on legs installation.

## Features and Benefits:

- Low profile - only 40mm in height
- Available with optional leg kits to create raised version
- Manufactured from a composite resin capped acrylic
- Gloss finish
- Height of panel kits 95mm
- 90mm Domed Waste included



Chrome plated domed waste



Square



Rectangle



Code	Size		OPTIONAL Riser Panel Kit (see below)
	X	Y	

## Roman Square Tray

RLT76	760mm	x 760mm	RTPK03
RLT80	800mm	x 800mm	RTPK03
RLT90	900mm	x 900mm	RTPK03
RLT100	1000mm	x 1000mm	RTPK04

## Roman Rectangle Tray

RLT79	900mm	x 760mm	RTPK03
RLT107	1000mm	x 760mm	RTPK03
RLT108	1000mm	x 800mm	RTPK03
RLT109	1000mm	x 900mm	RTPK03
RLT118	1100mm	x 800mm	RTPK03
RLT119	1100mm	x 900mm	RTPK03
RLT127	1200mm	x 760mm	RTPK03
RLT128	1200mm	x 800mm	RTPK03
RLT129	1200mm	x 900mm	RTPK03
RLT149	1400mm	x 900mm	RTPK04
RLT158	1500mm	x 800mm	RTPK04
RLT168	1600mm	x 800mm	RTPK04
RLT178	1700mm	x 800mm	RTPK04

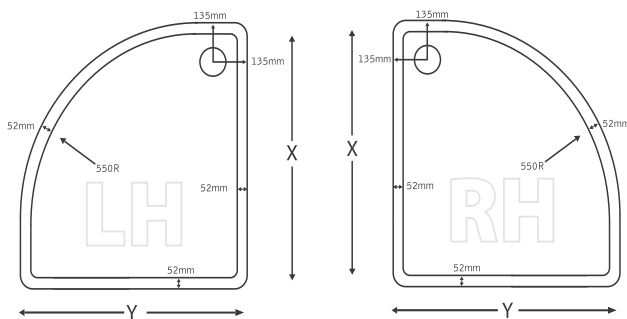
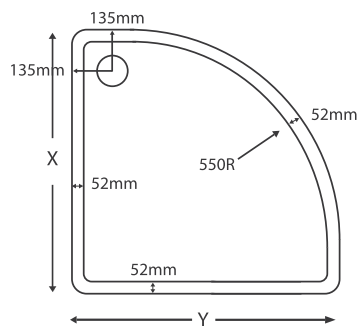
RTPK03 1200mm Square / Rectangle Panel Kit + feet

RTPK04 1700mm Rectangle Panel Kit + feet



Riser Panel Kit shown with legs and front panel

Quadrant



\* Left or right handing must be specified



## Roman Anti Slip

Roman Anti Slip Coating now available in a pack.  
This kit allows for an anti-slip coating to be applied only on Acrylic Capped Roman Stone shower trays which will aid the prevention of slips and falls in wet & dry conditions. This product confirms to BS7976-2:2002 achieving a low slip potential within wet conditions and conforms to DIN 51097 with a class C slip rating. Independently UK tested and approved.



### Anti Slip Advantages:

- Added reassurance in wet showers
- Easy to apply
- Hygienic and low maintenance
- Resilient and durable
- Solvent free
- Colourless

### Possible Areas of Use:

- Shower trays
- Retirement homes and nursing homes
- Clinics and rehabilitation facilities
- Only for use with Roman Acrylic Capped Stone Trays

### Please Note: Anti Slip Trays

Roman Solid Surface Matt Trays have been tested to: BS7679-2:2002+A1:2013 –Slip potential – low DIN 51097:1992 Class C

Code	Size	OPTIONAL Riser Panel Kit (see below)
	X Y	

### Roman Quadrant Tray

RLQ80	800mm x 800mm	RTPK01
RLQ89L*	900mm x 800mm LH	RTPK01
RLQ89R*	900mm x 800mm RH	RTPK01
RLQ90	900mm x 900mm	RTPK01
RLQ976L*	900mm x 760mm LH	RTPK02
RLQ976R*	900mm x 760mm RH	RTPK02
RLQ100	1000mm x 1000mm	RTPK01
RLQ108L*	1000mm x 800mm LH	RTPK02
RLQ108R*	1000mm x 800mm RH	RTPK02
RLQ128L*	1200mm x 800mm LH	RTPK02
RLQ128R*	1200mm x 800mm RH	RTPK02
RLQ129L*	1200mm x 900mm LH	RTPK02
RLQ129R*	1200mm x 900mm RH	RTPK02

RTPK01	Quadrant Panel Kit + feet
RTPK02	Off Set Quadrant Panel Kit + feet

RTW	Roman Tray Waste (90mm)
-----	-------------------------

Code	Description
RTAS01	Anti Slip Coating Pack



# Accessories

Roman presents a range of beautifully selected accessories to complete your bathroom. Choose from our stylish shower baskets, forged from solid brass with a contemporary chrome finish to keep your bathroom a clutter free zone. Roman also presents the Roman Shower Blade to make through cleaning a simple task.



RSB01  
Double Hanging Basket with Hooks

Spacers supplied so basket can be hung directly onto the glass edge



RSB02  
Large Curved Corner Basket



RSB03  
Stepped Soap Basket



RSB04  
Large 'L' Shaped Corner Basket



RSB05  
Double Corner Basket  
with Hooks



RSB06  
Large Rectangular Basket



RSB07  
Double Rectangular 'single wall'  
Basket with Hooks



RSB0100  
Roman Shower Blade  
(includes spare blade part)



Code	Description	Dimensions
RSB01	Double Hanging Basket with Hooks	D: 125mm W: 220mm H: 765mm
RSB02	Large Curved Corner Basket	D: 224mm W: 296mm H: 73mm
RSB03	Stepped Soap Basket	D: 131mm W: 260mm H: 57mm & 29mm
RSB04	Large 'L' Shaped Corner Shower Basket	D: 115/125mm W: 255/270mm H: 99mm
RSB05	Double Corner Shower Basket with Hooks	D: 224mm W: 293mm H: 399mm
RSB06	Large Rectangular Shower Basket	D: 120mm W: 260mm H: 95mm
RSB07	Double Rectangular 'single wall' Shower Basket with Hooks	D: 120mm W: 260mm H: 391mm
RSB0100	Roman Shower Blade (includes spare blade part)	-

Practical and  
stylish storage



**ROMAN**  
HOME

Accessories featured are available  
at [www.romanathome.com](http://www.romanathome.com)

## Protecting the Environment

Roman is committed to caring for the environment and as a reflection of this commitment we became fully accredited with ISO 14001 certification in 2009. We see looking after the environment as an important part of being a UK business and UK manufacturer. As a business we care for the environment in two ways - by improving our systems to reduce our carbon footprint and impact on the environment. We strive for continual improvement in this area. For more information on how we are taking care of the environment visit our website: [www.roman-showers.com](http://www.roman-showers.com) and view our full list of ecodentials.



All Roman Shower Enclosures and Bath Screens and Trays are manufactured in the UK.



EMS 523823



As well as considering the environment during the manufacture of our products, we are also mindful of how our products can impact on the environment after they leave us. The addition of our Ultra Care Pre-coated Glass Protection means that dirt, grime and soap scum are washed away during the shower use. This means the use of harsh chemicals during the cleaning process can be eliminated and less water is required during the cleaning process.



All Roman Shower Enclosures, Bath Screens and Trays are manufactured in the UK.

All vehicles with Euro 5 compliance engine vehicles saving 22% on emissions.

Company car policy has been updated so only vehicles with less than 125 grams of CO<sub>2</sub>s per Kilometre can be used in the fleet.

Overall company CO<sub>2</sub> reduction since 2009 is 20%.



Roman brochures are printed on stock sourced from sustainable forests.



All waste is segregated into recyclables and non-recyclables.

93% of all waste is recycled - landfill reduced to 7% of total waste generated.

# Make cleaning your bathroom easy with our Shower, Tile & Bath Restoration and Maintenance Kit

Restore discoloured glass and maintain the sparkle of your bathroom



## CLEAN & PROTECT YOUR SHOWER IN MINUTES

## ELIMINATES HARD WATER & SOAP SCUM BUILDUP

For details of your nearest stockist please contact Roman International on +44 (0) 1325 327989

### 3 Step System includes:

#### Ultra Scrub Surface Stain Cleanser

Designed to effectively and easily clean your bathroom surfaces, including Glass, Porcelain, Ceramics and other hard surfaces.

Developed to remove the build-up of minerals, rust, soaps, oils and limescale but without damaging the surface.

#### Ultra Shield Glass and Surface Treatment

Formulated to clean and protect. Ultra Shield can be used on your bathroom surfaces to create a water, soil and stain repellent barrier coating which prevents water, soil and grime from sticking for easier cleaning. This barrier is renewed with each use.

#### Ultra Care Glass & Surface Protector

For a long lasting sparkle on bathroom and shower surfaces. Ultra Care is the ultimate surface protector that repels the build-up. Also available in large bottle for ongoing aftercare.





### Europe, North America, South America, Middle East:

Roman Limited,  
Whitworth Avenue,  
Aycliffe Business Park,  
County Durham,  
DL5 6YN,  
England, UK.

Tel: +44 (0)1325 311318

#### International Sales:

Direct Dial: +44 (0) 1325 327989

Fax: +44 (0) 1325 319889

Email: [international@roman-showers.com](mailto:international@roman-showers.com)

### Asia and Australasia:

Roman Asia  
Lot 805, Batu 3/4, Jalan Bangi, 43500 Semenyih,  
Selangor Darul Ehsan, Malaysia

#### Asia Sales:

Telephone: +60 (0)3 8723 1211

Fax: +60 (0)3 8723 2629

Email: [romanasia@roman-showers.com](mailto:romanasia@roman-showers.com)

[www.roman-showers.com/international/roman-asia/](http://www.roman-showers.com/international/roman-asia/)

### Roman Ireland:

W6X  
Ladytown Business Park  
Naas  
County Kildare  
Ireland

#### Ireland Sales:

Tel: +353 (0) 45 408 118

Email: [irelandsales@roman-showers.com](mailto:irelandsales@roman-showers.com)

[www.roman-showers.com/international/roman-ireland-information/](http://www.roman-showers.com/international/roman-ireland-information/)

Roman would like to thank the following for their assistance with this brochure:

Roca bathroom furniture supplied by Roca:

Tel: +44 (0)1530 830080

[www.uk.roca.com](http://www.uk.roca.com)



For list of international project and job references please visit [www.roman-showers.com](http://www.roman-showers.com)

[www.roman-showers.com](http://www.roman-showers.com)

