

KEUCO

IXMO

Fittings



Art.-Nr.: 03507350401 IXMO, englisch, 07/16

KEUCO GmbH & Co. KG
Postfach 1365
58653 Hemer
Telephone +49 2372 904-0
Telefax +49 2372 904-236
info@keuco.de
www.keuco.de

KEUCO

Less can do more.

This describes the basic principle of IXMO in a nutshell. IXMO integrates functionality in such a compact way that it was possible for the design to be very minimalist. Each IXMO solution is based on a thermostat or a single-lever mixer. Multifunctional modules are combined depending on need. Since these are capable of performing multiple tasks simultaneously, the number of visible parts on the wall can be reduced. This provides formerly undreamed of freedom for planning the shower and bath tub.

IXMO wasn't just designed from the point of view of users and planners though, but also from that of the installer. That's why IXMO incorporates a variety of innovative features to allow particularly easy and precise installation.

Discover fittings for shower and bath tub that bring aesthetic design and sensible functionality into harmony. Experience the individuality that multiplicity can produce.

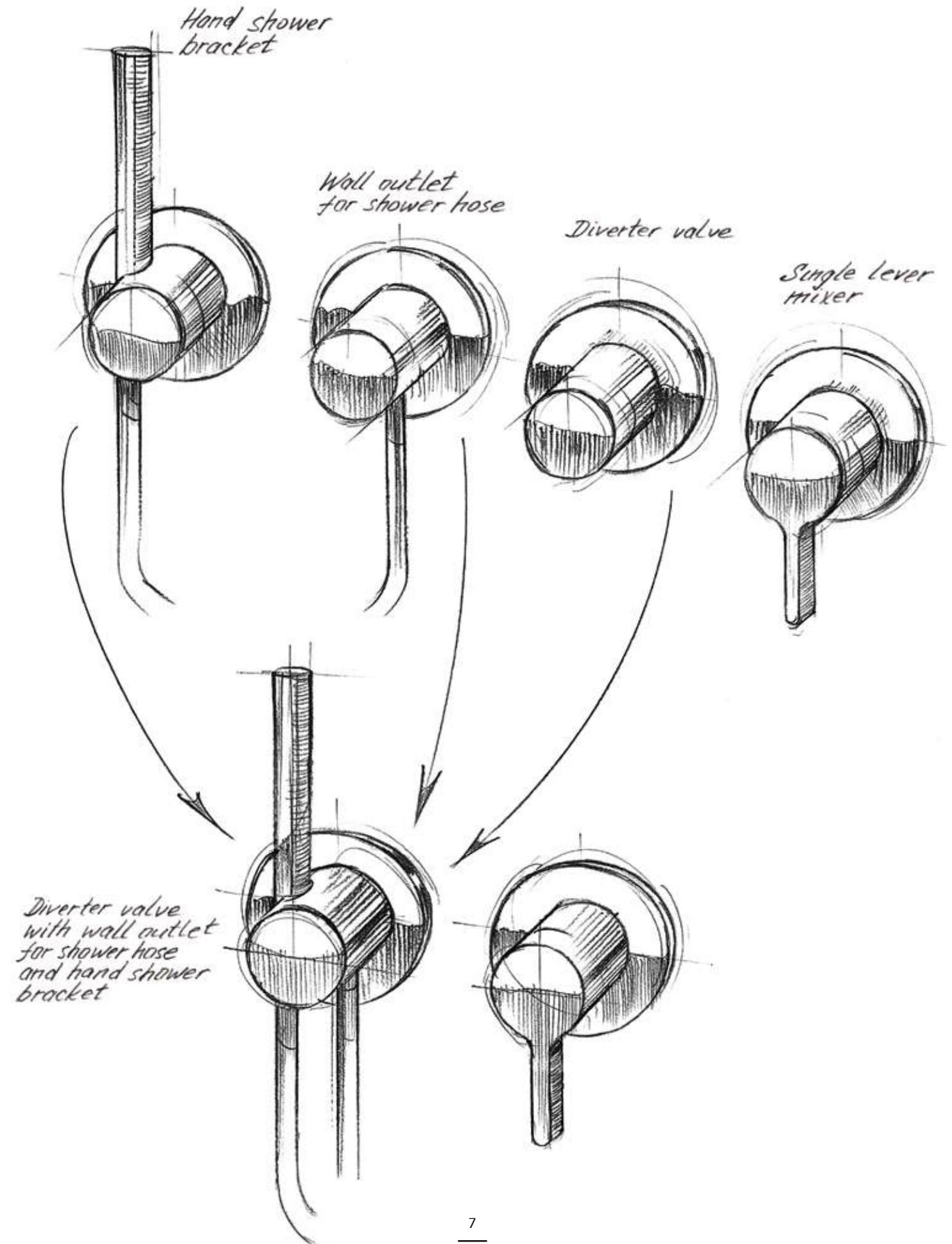
- 6 **Idea**
More consistency.
- 14 **Design**
More minimalism.
- 24 **Planning freedom**
More multiplicity.
- 34 **Technology**
More innovation.
- 40 **Installation**
More intelligent installation.
- 52 **Product overview**
Increased range of options.

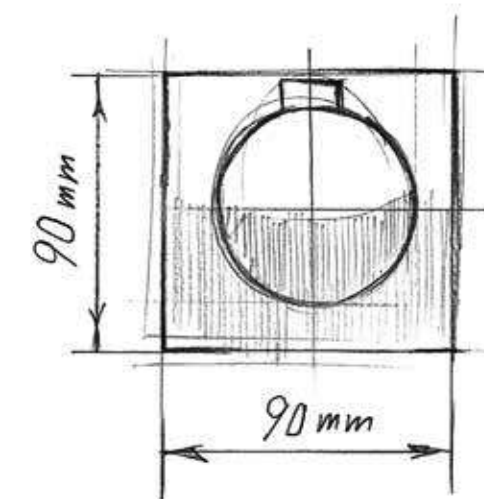
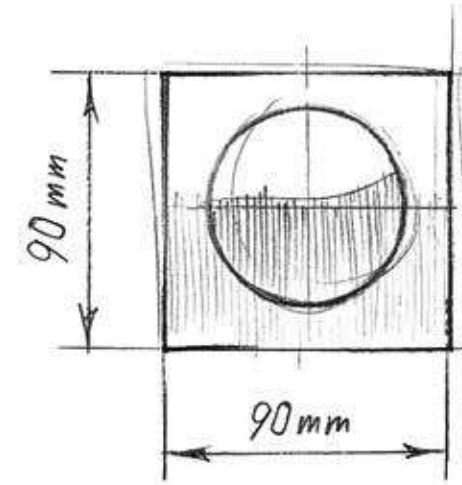
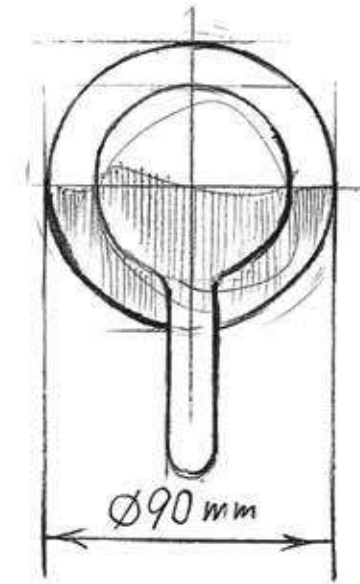
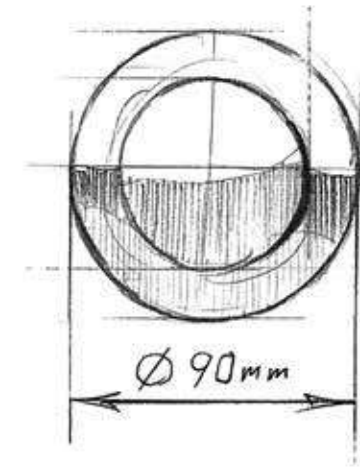
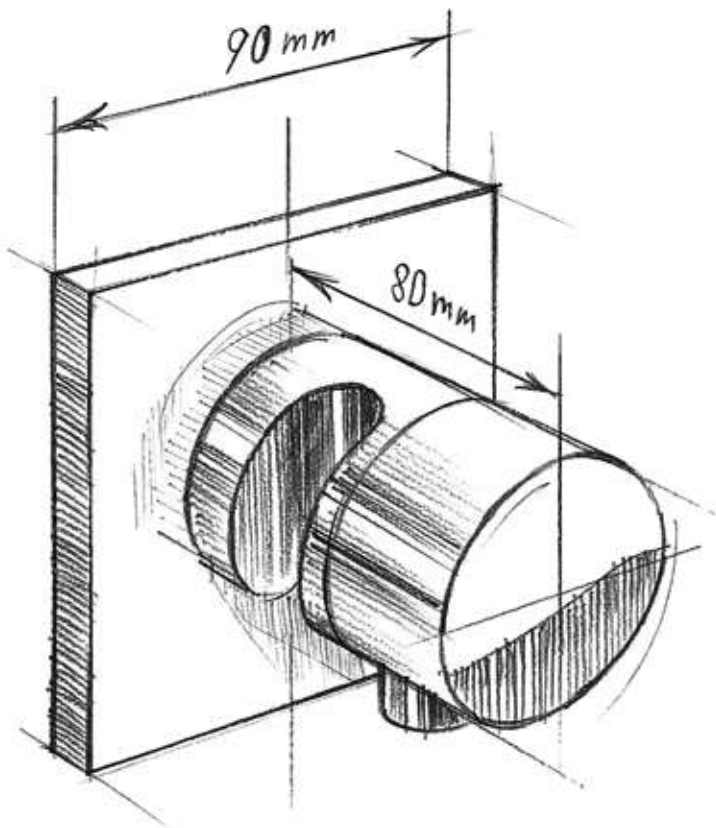
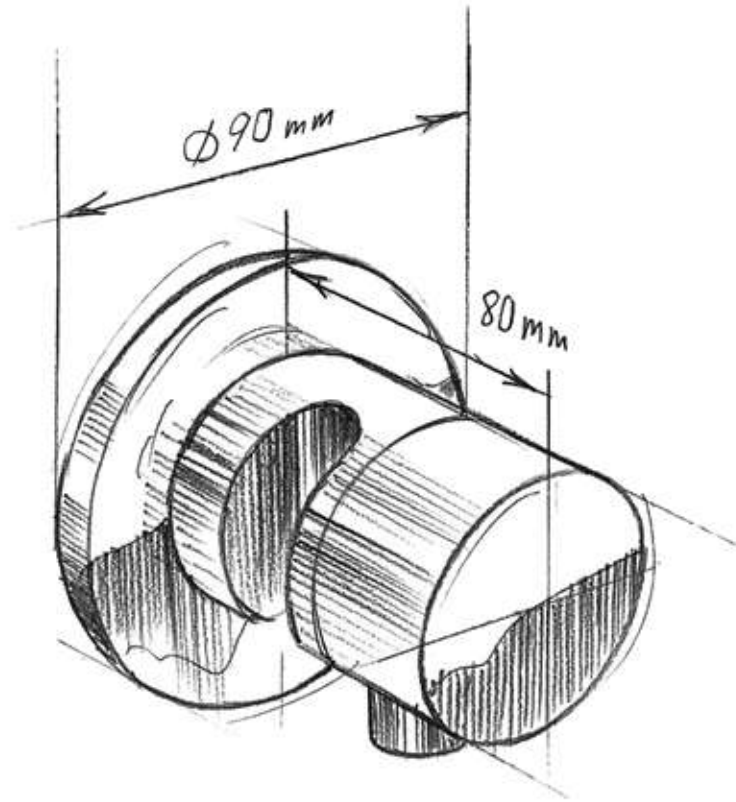


More consistency.

In the KEUCO philosophy product design isn't just about aesthetics. Rather, the standard is holistic: To create a design icon and to integrate relevant improvements in a product at the same time.

With IXMO this succeeds through the consistent application of a basic principle: Reduction by combining functions.





Overall uniformity.

All visible parts project exactly 80 mm from the wall, which produces a consistent and harmonious overall picture. The filigree decor discs - whether round or rectangular - complement the minimalist elegance of IXMO. For all products they have the same dimensions.



Multitalented.

In this example only two modules combine the thermostatic mixer, stop and diverter valve, wall outlet for shower hose and hand shower bracket.



“Reach more people.”

Conversation with Hartmut Dalheimer, Managing Director KEUCO, and Dirk Hagedorn, Head Product Development.

Mr. Dalheimer, Mr. Hagedorn, the presentation of IXMO at ISH 2015 received a remarkable amount of positive feedback. Were you surprised?

Hartmut Dalheimer I could claim that we had expected that, but to be honest, we were really quite pleasantly surprised by the extent of it.

What do you think were the reasons for the approval?

Dirk Hagedorn Of course, the approach we took was to develop a product that would offer an array of innovations all at once, which all the target groups would profit from – from the planner to the dealer, to the installer and finally the user. Naturally, with such an approach, one ultimately reaches more people.

Did the development process begin with a specific idea as inspiration for the design? Was there a technical idea?

Dirk Hagedorn It was rather more the abstract notion of “Less is more” or “Less can do more”, to put it more succinctly. That was the compass that guided us throughout the entire development process

Was the development of IXMO particularly complex, because of the strong technical aspect?

Dirk Hagedorn It can be compared to smartphones: They are constantly being developed and incorporate ever more functionality. New technology is used to achieve even flatter designs. Ultimately a product is produced that people want to own, because it looks fascinating and offers them new benefits. Basically, we are doing the same thing with IXMO. But, to come back to your question: Yes, the development process was very involved, but it was worth it.

To what extent does IXMO reflect the philosophy of KEUCO?

Hartmut Dalheimer IXMO embodies our philosophy perfectly: To create products which are useful, but which offer an experience that touches the senses at the same time. And to do it in perfect quality, to ensure that this lasts a long time.

More minimalism.

Design for many styles: The formal lightness and the clear, geometric lines of IXMO integrate perfectly into a very wide range of furnishing styles. Thanks to the multifunctional nature of the modules, externally, IXMO is a celebration of timeless understatement.





- 1 Bath filler
- 2 2-way diverter valve with wall outlet for shower hose and hand shower bracket
- 3 Single lever mixer





“Combining the functions together was an exciting challenge. Every day we had new ideas. That is how we created the conditions for a completely unique design approach.”

Dominik Tesseraux, Designer

Design

Design that allows flexibility: One of the ways the IXMO concept demonstrates its strength is in the wide range of configuration options of the modules which it offers.



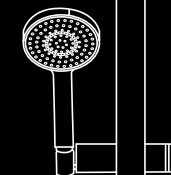
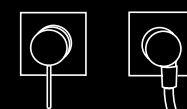
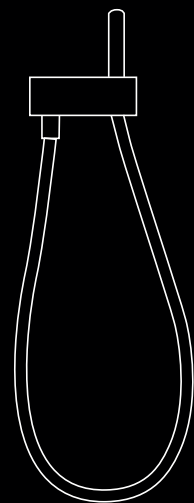


- 1 2-way stop and diverter valve with wall outlet for shower hose and hand shower bracket
- 2 Thermostatic mixer

More multiplicity.

Room of possibilities: With IXMO it is possible to create very unique individual arrangements on the wall. Consequently, in terms of ergonomics, it is possible to achieve optimal placement of the modules.

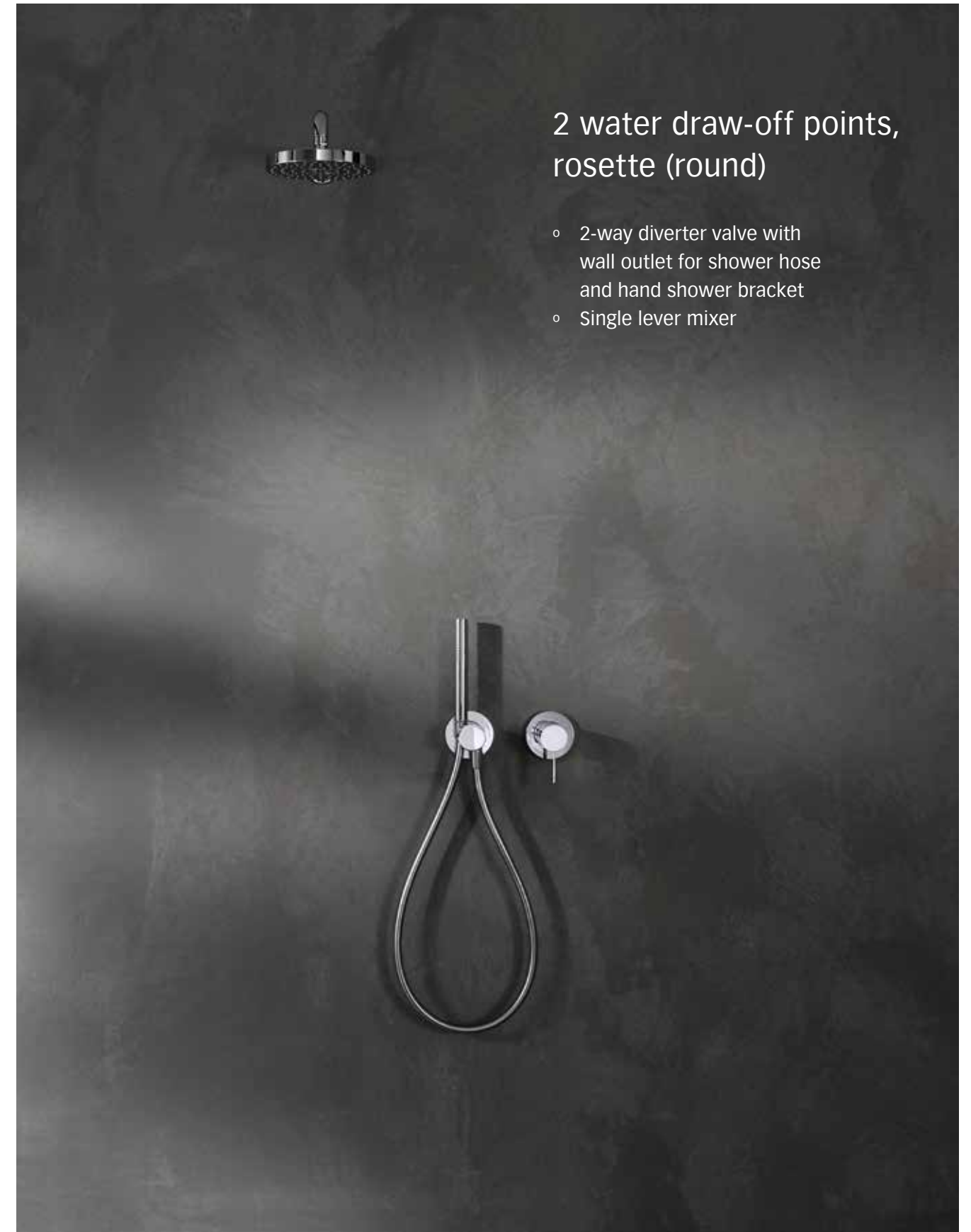
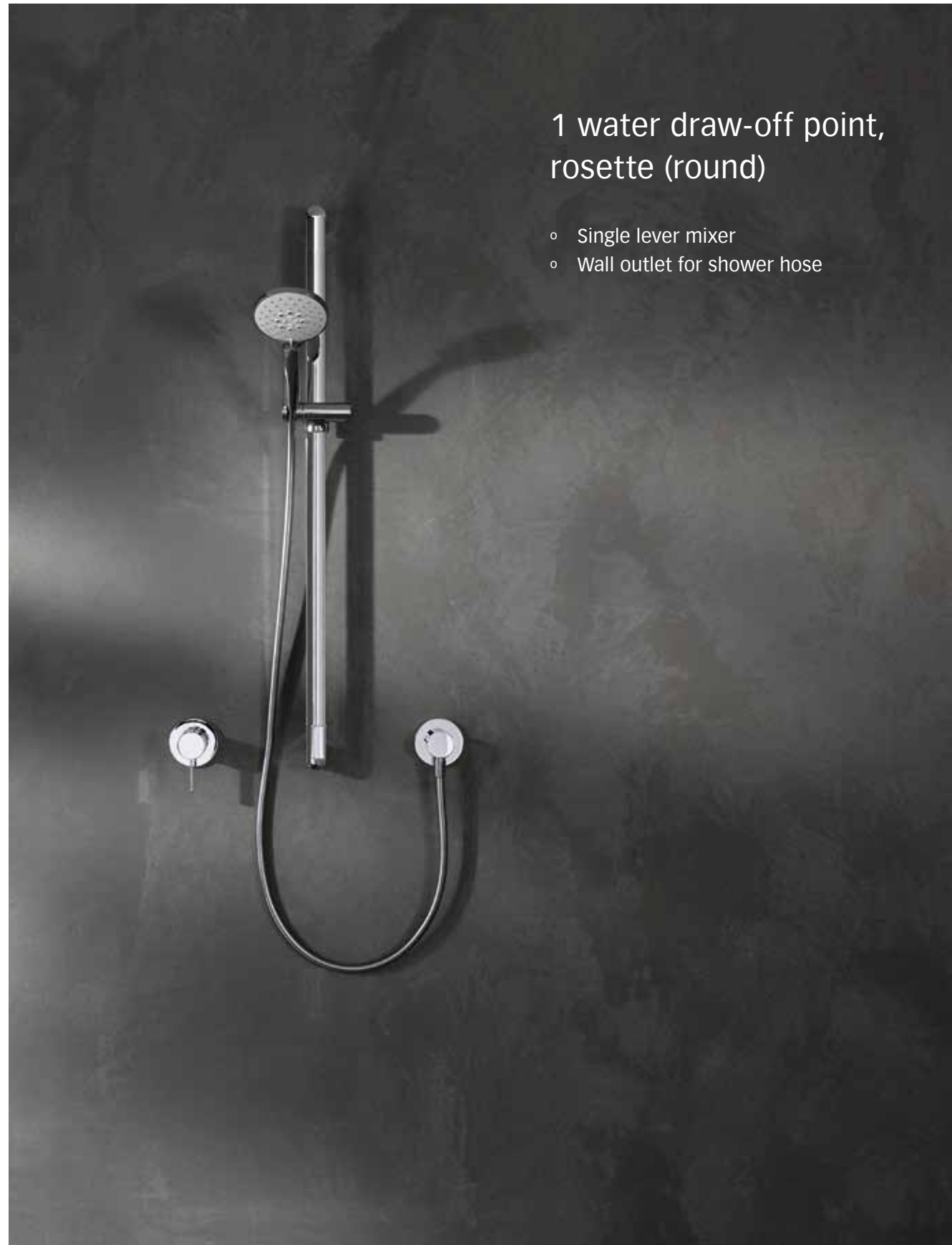
Use our online planner to plan your own IXMO bathroom now. The planner can be found at www.ixmo.de

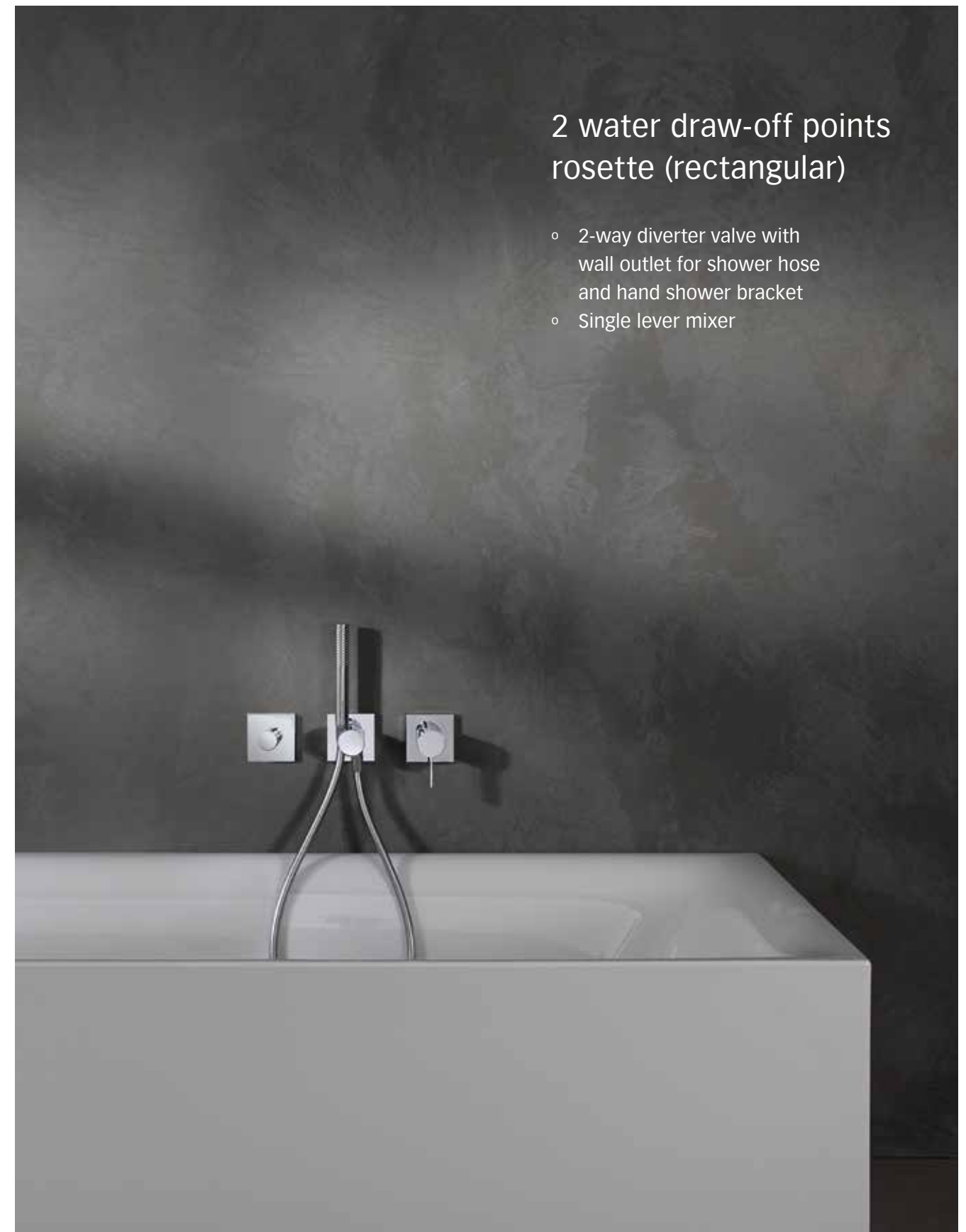
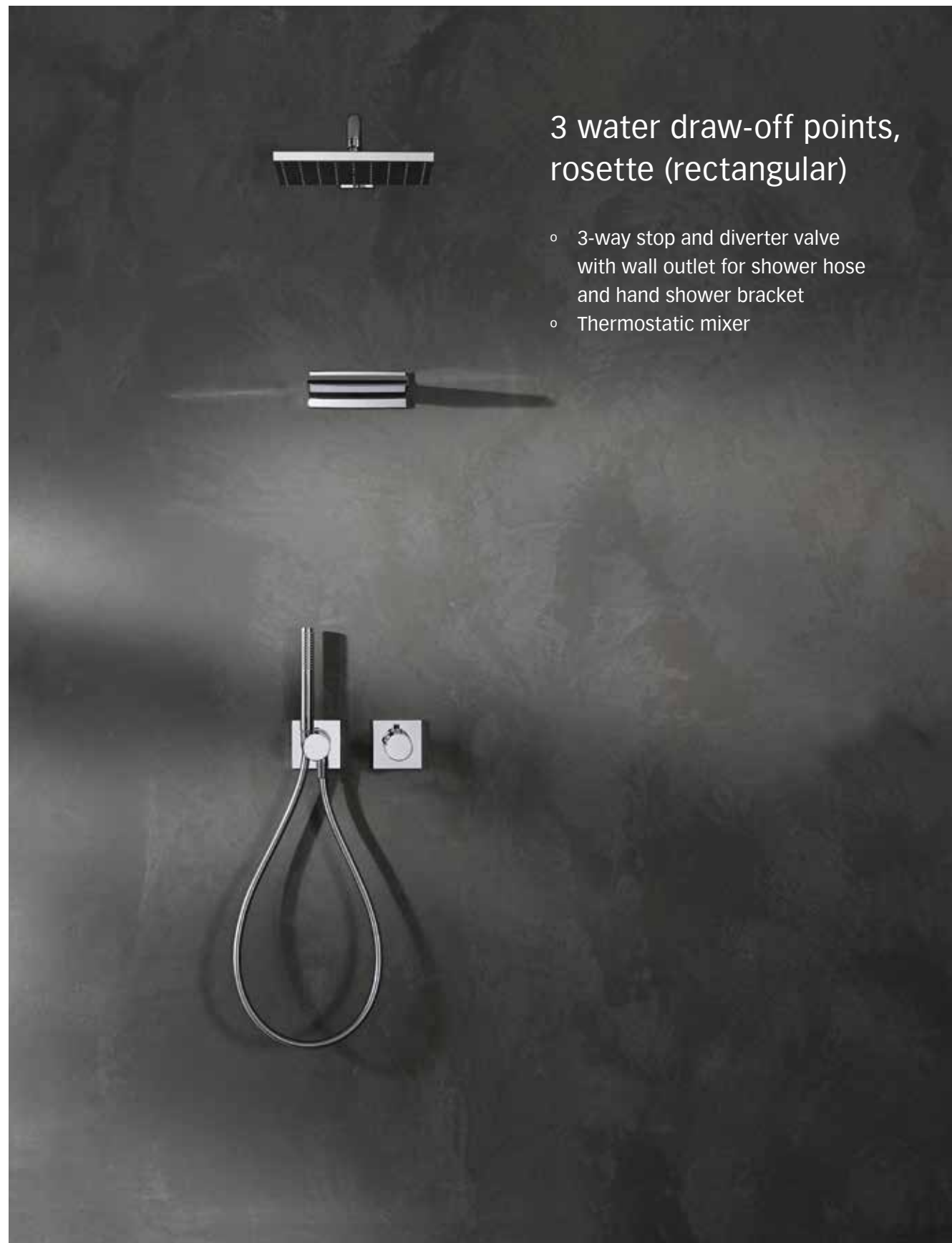


Round or rectangular?

The IXMO decor discs are available in round or rectangular designs. Together, both types incorporate the small dimensions that underscore the reduced aesthetics of the fittings.









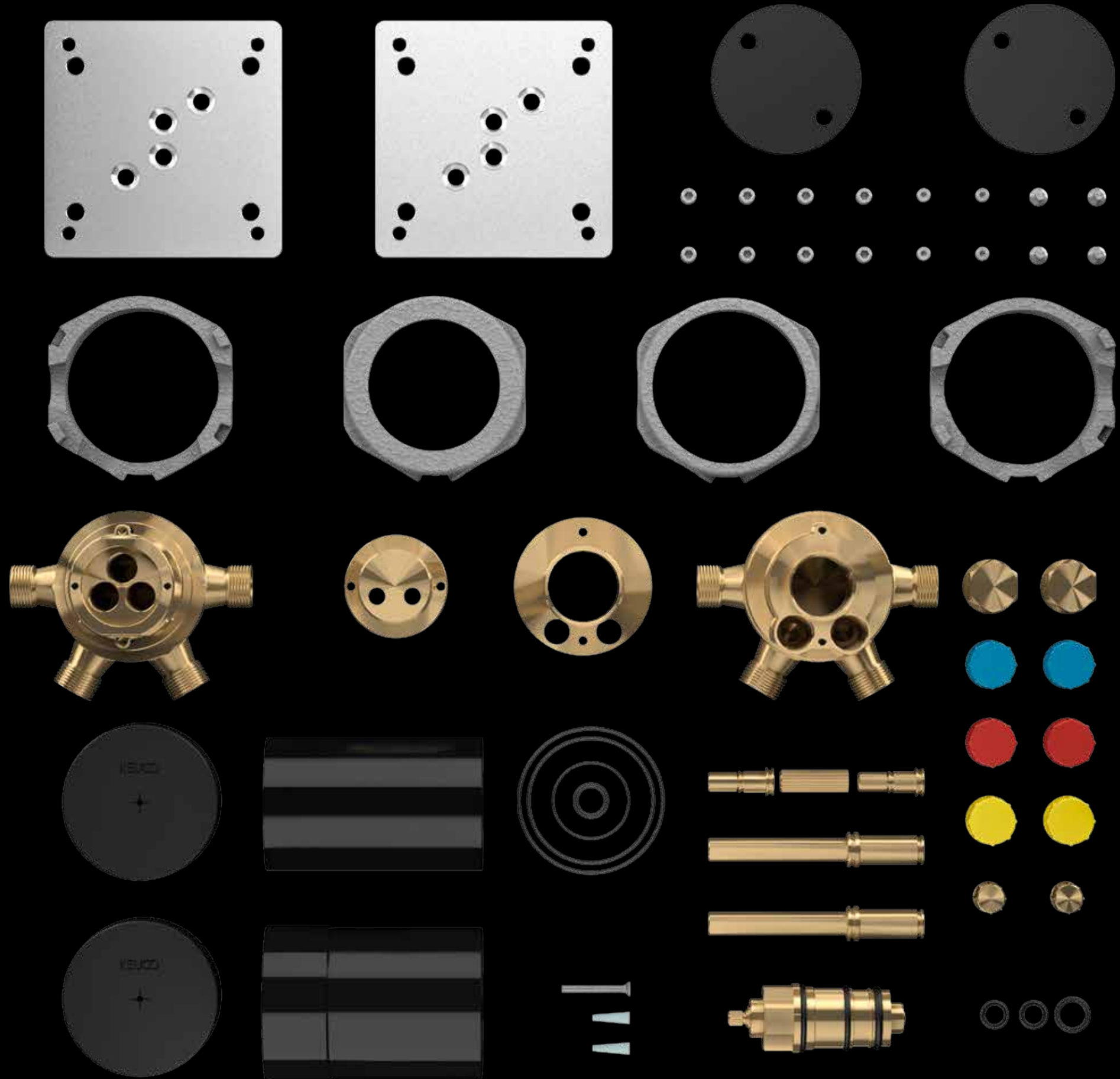
“IXMO hits a nerve, because it implements the more general trend towards lightness in a remarkably consistent way. Not just because of the shape, but because one can reduce the number of modules on the wall to a minimum.”

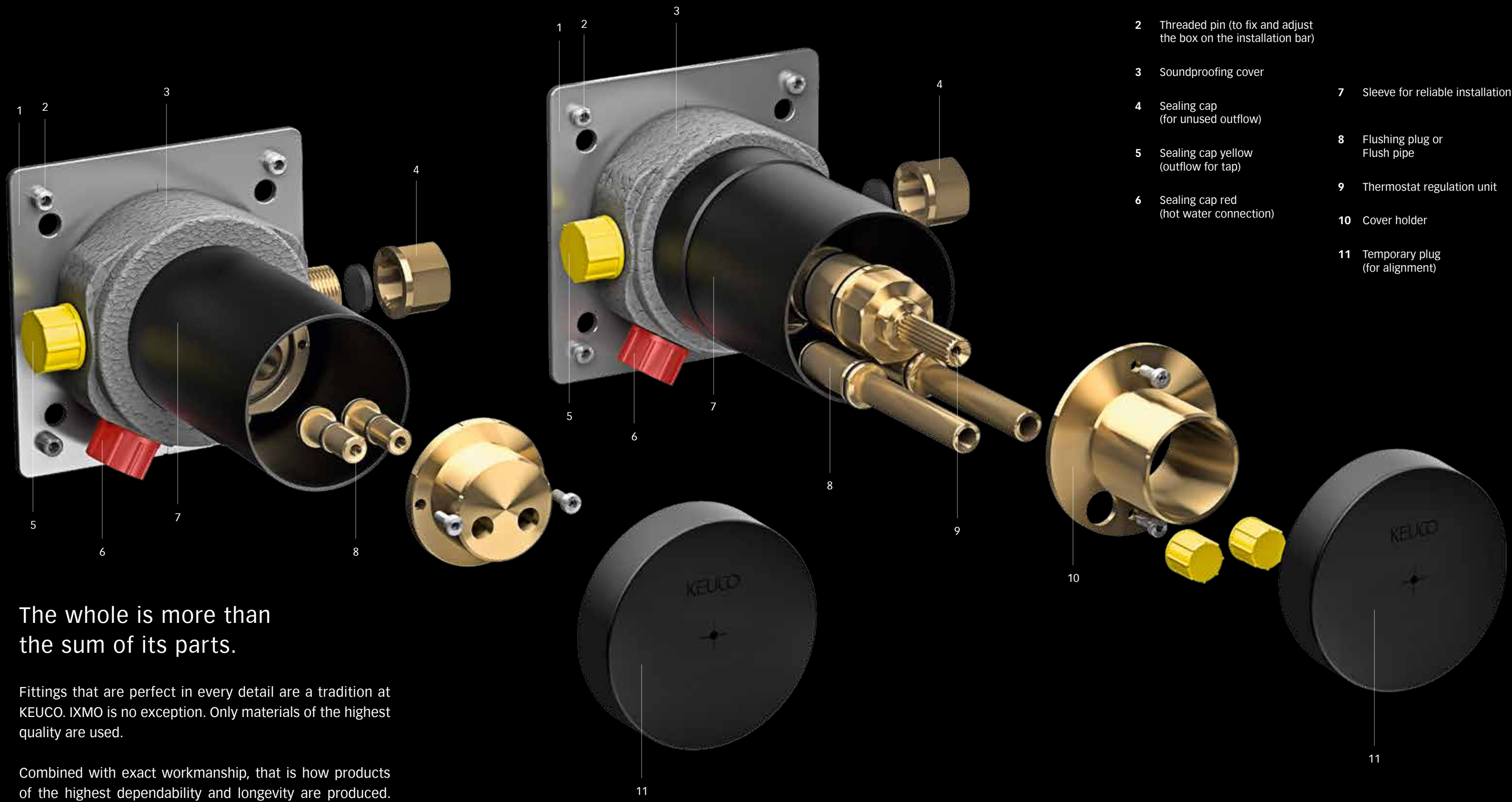
Bettina Bickert, Dipl. Ing., Interior Architect

More innovation.

Functionality redefined: Technically, the development of IXMO was a challenge, because the combined functions of the modules had to be compressed into the smallest of spaces.

This didn't just include the functions the fittings themselves offer, but also all of the innovative features that make them so convenient and reliable to install. Viewed from the outside, it isn't apparent how complex the interiors of the filigree fittings really are.





- 1 Fastening plate made of stainless steel
- 2 Threaded pin (to fix and adjust the box on the installation bar)
- 3 Soundproofing cover
- 4 Sealing cap (for unused outflow)
- 5 Sealing cap yellow (outflow for tap)
- 6 Sealing cap red (hot water connection)
- 7 Sleeve for reliable installation
- 8 Flushing plug or Flush pipe
- 9 Thermostat regulation unit
- 10 Cover holder
- 11 Temporary plug (for alignment)

The whole is more than the sum of its parts.

Fittings that are perfect in every detail are a tradition at KEUCO. IXMO is no exception. Only materials of the highest quality are used.

Combined with exact workmanship, that is how products of the highest dependability and longevity are produced. Manufactured and assembled in Germany from start to finish – at our plant in Hemer.



“The miniaturisation of technology is a driver of design.”

Interview with Olaf Sadowski, Head Design Engineering Hemer,
and Christopher Althoff, Design Engineering Accessoires + Fittings

Mr. Sadowski, Mr. Althoff, the approach in IXMO was to compress functionality to an extent that would allow a very reduced design. On the technical side, did that result in a very involved development process?

Olaf Sadowski Yes, because a level of compression such as this was only possible through new technical approaches. We had to leave familiar territory and question many things which had been taken for granted. Naturally, that requires a level of effort that goes beyond the usual.

What was the biggest technical challenge?

Christopher Althoff The most demanding aspect was the task of incorporating more functions in less space. Also because, in addition to the standard functions we integrated completely new features, such as the compensator for different installation depths.

What do you think, can miniaturisation be taken much further or has it reached its limits?

Christopher Althoff The miniaturisation of technology is a driver for design. That is why the need is naturally there. But, to be honest, the limits have almost been reached in the area of fittings.

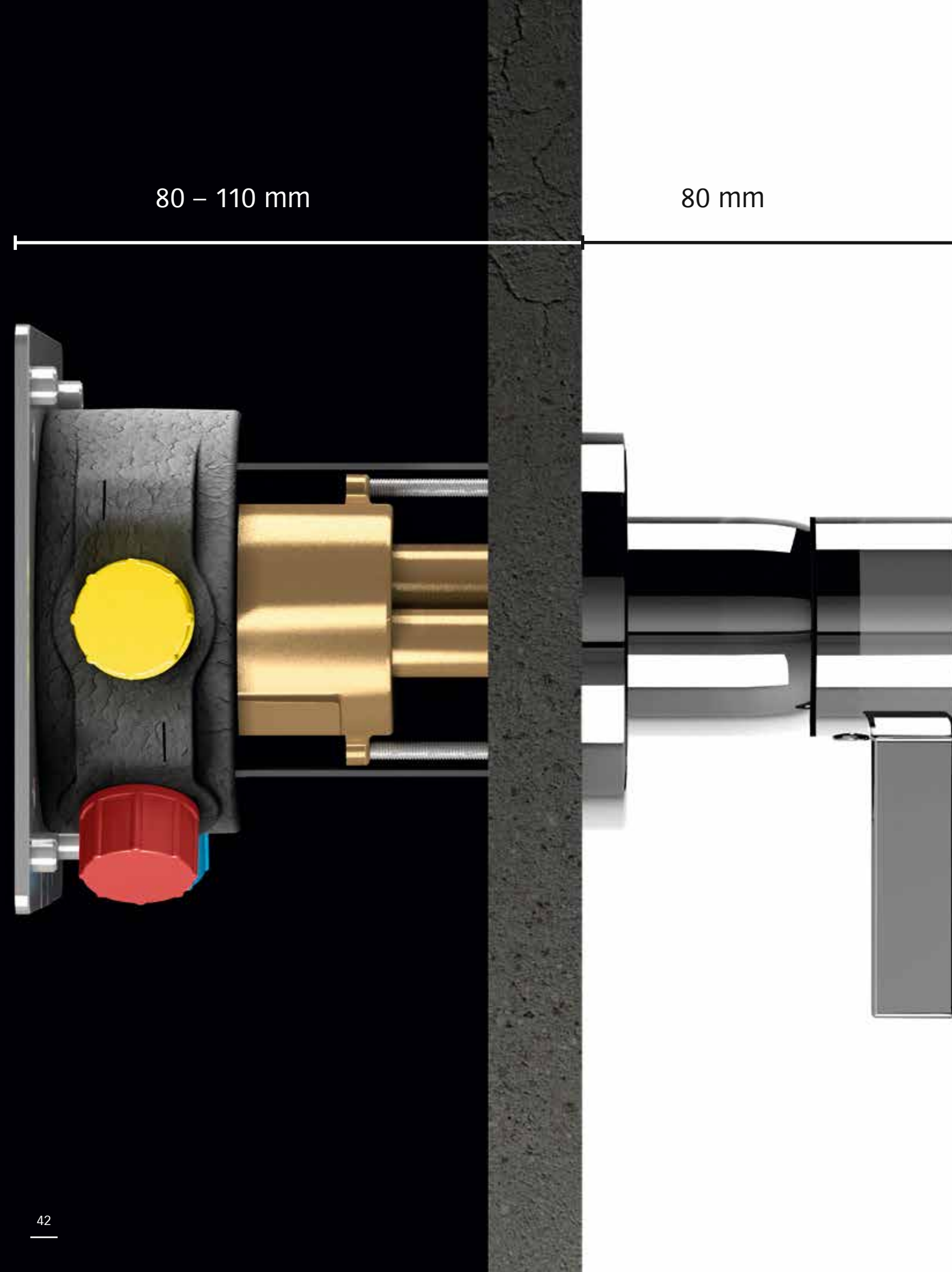
In such a project do the product development, design and technology departments work together from the outset in a creative process?

Olaf Sadowski Yes, everyone was on board from the very first idea onwards. We determined our goals and coordinated everything together after each step. This is a very efficient way to work and I believe that it is evident when one looks at the products.

More intelligent installation.

Convenient installation meets precision: IXMO integrates numerous innovative features to ensure easy and reliable installation. Included, for example, are new features for precise alignment of the fittings, the integrated mechanism for swapped water lines for the thermostat, and the intelligent depth compensator for projection in front of the wall.





The intelligent depth compensator in IXMO fittings can be finely adjusted for installation depths anywhere from **80 mm to 110 mm**.

IXMO products project exactly 80 mm in front of the wall.



For all modules the temporary plugs for alignment have the same diameter, so that they can be used for making adjustments with a spirit level.



The temporary plugs have register marks on the front, with the help of which the distance between modules can be precisely measured.

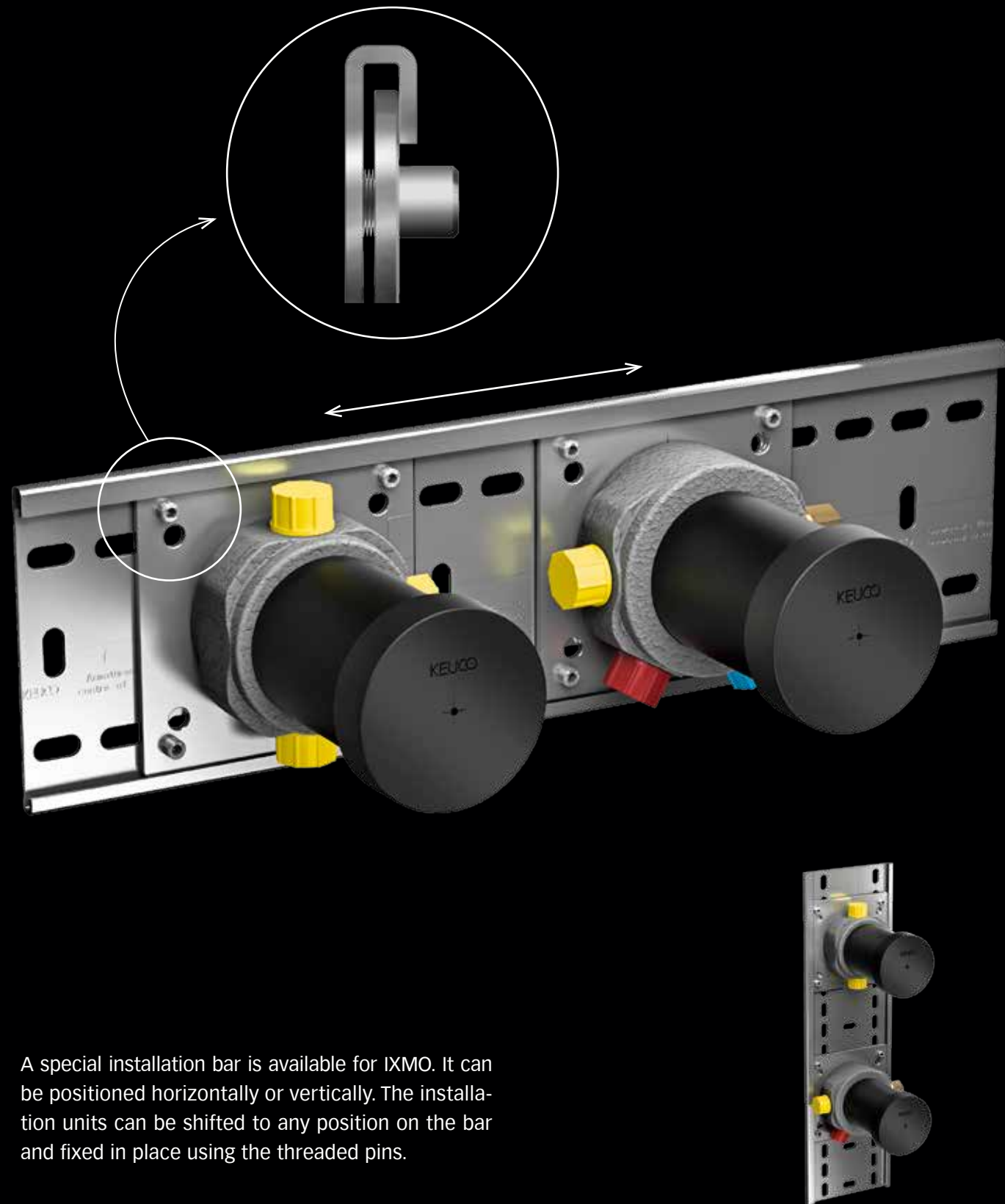


All modules can be flexibly installed over 360°, with the exception of the single-lever mixer.



The installed unit can be finely adjusted with the threaded pins in such a way that it is aligned perfectly against the wall at right angles.

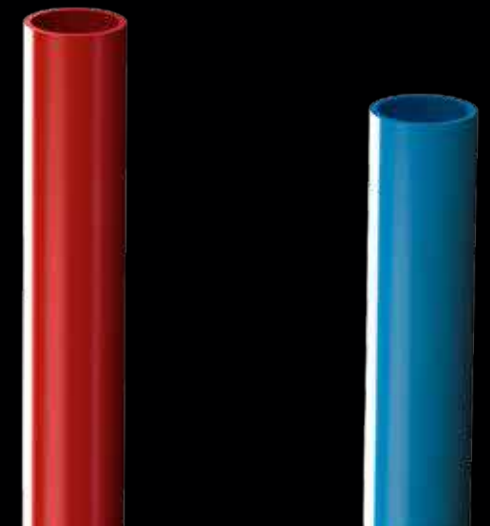
Installation



A special installation bar is available for IXMO. It can be positioned horizontally or vertically. The installation units can be shifted to any position on the bar and fixed in place using the threaded pins.



In cases where the water lines are swapped in the bathroom, no additional adapter needs to be acquired. IXMO thermostats have an integrated solution, where the components can simply be swapped in the base unit.



“The new features in IXMO are designed for everyday use and are self-explanatory. For positioning and fine adjustments, working with IXMO is very precise, but still more convenient than conventional solutions.”

Thomas Lipps, Plumber and heating technician



Increased range of options.

One basic idea, many options – discover the freedom that IXMO offers for planning showers and bath tubs.



SINGLE LEVER MIXER



1 WATER DRAW-OFF POINT

Wall outlet for shower hose



Wall outlet for shower hose with hand shower bracket



2 WATER DRAW-OFF POINTS

2-way diverter valve



2-way diverter valve with wall outlet for shower hose



2-way diverter valve with wall outlet for shower hose and hand shower bracket



3 WATER DRAW-OFF POINTS

3-way diverter valve



3-way diverter valve with wall outlet for shower hose



3-way diverter valve with wall outlet for shower hose and hand shower bracket



All stop and diverter valves also available with handle IXMO Comfort.

THERMOSTAT



1 WATER DRAW-OFF POINT

Stop valve



Stop valve with wall outlet for shower hose



Stop valve with wall outlet for shower hose and hand shower bracket



2 WATER DRAW-OFF POINTS

2-way diverter valve



2-way diverter valve with wall outlet for shower hose



2-way diverter valve with wall outlet for shower hose and hand shower bracket



2-way stop and diverter valve



2-way stop and diverter valve with wall outlet for shower hose



2-way stop and diverter valve with wall outlet for shower hose and hand shower bracket



3 WATER DRAW-OFF POINTS

3-way diverter valve



3-way diverter valve with wall outlet for shower hose



3-way diverter valve with wall outlet for shower hose and hand shower bracket



3-way stop and diverter valve



3-way stop and diverter valve with wall outlet for shower hose



3-way stop and diverter valve with wall outlet for shower hose and hand shower bracket



Product overview



59551
Single lever mixer DN 15
Mixing cartridge with ceramic sealing gaskets, temperature controlled, set complete with: handle, sleeve, rosette (round or square) and installation unit, suitable for rough part no. 59551/000070



59551
Installation unit for single lever mixer DN 15
Rough part for recessed installation



59553
Thermostat battery DN 15
Set complete with: handle, sleeve and rosette (round or square) suitable for rough part no. 59553/000070



59553
Installation unit for thermostat battery DN 15
Rough part for recessed installation



59547
Wall outlet for shower hose DN 15
with round or square decorative disc, intrinsically safe against backflow
Projection: 55 mm



59592
Wall outlet for shower hose with hand shower bracket DN 15
for shower hoses with fitted conical end brackets, with round or square decorative disc, intrinsically safe against backflow



59541
Stop valve DN 15
Set complete with: handle, casing, rosette (round or square) and stop cock suitable for rough part no. 59541/000070



59541
Installation unit for stop valve DN 15
Rough part for recessed installation



59541
Stop valve with wall outlet for shower hose DN 15
Set complete with: handle, casing, rosette (round or square) and stop cock, intrinsically safe against backflow, suitable for rough part no. 59541/000170



59541
Installation unit for stop valve with wall outlet for shower hose DN 15
Rough part for recessed installation



59541
Stop valve with wall outlet for shower hose and hand shower bracket DN 15
Set complete with: handle, casing, rosette (round or square) and stop cock, intrinsically safe against backflow, suitable for stop cock no. 59541/000170



59541
Installation unit for stop valve with wall outlet for shower hose DN 15
Rough part for recessed installation



59556
2-way diverter valve DN 15
Set complete with: handle, casing, rosette (round or square) and diverter valve suitable for rough part no. 59556/000070



59556
Installation unit for 2-way diverter valve DN 15
Rough part for recessed installation



59556
2-way diverter valve with wall outlet for shower hose DN 15
Set complete with: handle, casing, rosette (round or square) and diverter valve, intrinsically safe against backflow, suitable for rough part no. 59556/000170



59556
Installation unit for 2-way diverter valve with wall outlet for shower hose DN 15
Rough part for recessed installation



59556
2-way diverter valve with wall outlet for shower hose and hand shower bracket DN 15
Set complete with: handle, casing, rosette (round or square) and diverter valve, intrinsically safe against backflow, suitable for rough part no. 59556/000170



59556
Installation unit for 2-way diverter valve with wall outlet for shower hose DN 15
Rough part for recessed installation



59557
2-way stop and diverter valve DN 15
Set complete with: handle, casing, rosette (round or square) and stop and diverter valve suitable for rough part no. 59556/000070



59556
Installation unit for 2-way diverter valve DN 15
Rough part for recessed installation



59557
2-way stop and diverter valve with wall outlet for shower hose DN 15
Set complete with: handle, casing, rosette (round or square) and stop and diverter valve, intrinsically safe against backflow, suitable for rough part no. 59556/000170



59556
Installation unit for 2-way diverter valve with wall outlet for shower hose DN 15
Rough part for recessed installation



59557
2-way stop and diverter valve with wall outlet for shower hose and hand shower bracket DN 15
Set complete with: handle, casing, rosette (round or square) and stop and diverter valve, intrinsically safe against backflow, suitable for rough part no. 59556/000170



59556
Installation unit for 2-way diverter valve with wall outlet for shower hose DN 15
Rough part for recessed installation

All stop and diverter valves also available with handle IXMO Comfort.

Product overview



59548
3-way diverter valve DN 15
 Set complete with:
 handle, casing, rosette (round or square) and diverter valve
 suitable for rough part no. 59548/000070



59548
Installation unit for
3-way diverter valve DN 15
 Rough part for recessed installation



59548
3-way diverter valve with wall outlet for shower hose DN 15
 Set complete with:
 handle, casing, rosette (round or square) and diverter valve,
 intrinsically safe against backflow,
 suitable for rough part no. 59548/000170



59548
Installation unit for
3-way diverter valve with wall
outlet for shower hose DN 15
 Rough part for recessed installation



59548
3-way diverter valve with wall outlet for shower hose
and hand shower bracket DN 15
 Set complete with:
 handle, casing, rosette (round or square) and diverter valve,
 intrinsically safe against backflow,
 suitable for rough part no. 59548/000170



59548
Installation unit for
3-way diverter valve with wall
outlet for shower hose DN 15
 Rough part for recessed installation



59549
3-way stop and diverter valve DN 15
 Set complete with:
 handle, casing, rosette (round or square) and stop and diverter valve
 suitable for rough part no. 59548/000070



59548
Installation unit for
3-way diverter valve DN 15
 Rough part for recessed installation



59549
3-way stop and diverter valve with wall outlet
for shower hose DN 15
 Set complete with:
 handle, casing, rosette (round or square) and stop and diverter valve,
 intrinsically safe against backflow,
 suitable for rough part no. 59548/000170



59548
Installation unit for
3-way diverter valve with wall
outlet for shower hose DN 15
 Rough part for recessed installation



59549
3-way stop and diverter valve with wall outlet for shower hose
and hand shower bracket DN 15
 Set complete with:
 handle, casing, rosette (round or square) and stop and diverter valve,
 intrinsically safe against backflow,
 suitable for rough part no. 59548/000170



59548
Installation unit for
3-way diverter valve with wall
outlet for shower hose DN 15
 Rough part for recessed installation

All stop and diverter valves also available with handle IXMO Comfort.



EDITION 11



EDITION 400



ELEGANCE



PLAN

59551

59551
Single lever mixer / handles
 handles matching the recessed
 single lever mixers no. 59551/019501,
 59551/019502



EDITION 300



COLLECTION MOLL



PLAN Blue



59541 / 59556 / 59557 / 59548 / 59549

Handle IXMO Comfort Plus
 for all stop and diverter valves,
 with adjustment facilities for
 twisted recessed wall installation
 of the basic unit

59541 – for stop valves
 59556 – for 2-way diverter valves
 59557 – for 2-way stop and diverter valves
 59548 – for 3-way diverter valves
 59549 – for 3-way stop and diverter valves

Note:
 for the vertical alignment of the handle



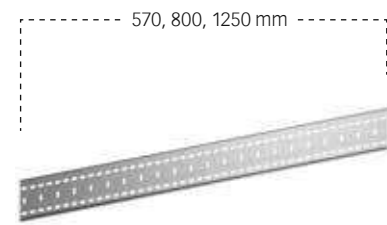
59545

59545
Bath filler/spout DN 15
 with round or square rosette,
 suitable for all concealed fittings
 Projection: 130, 180 mm



59547

59547
Universal installation unit G 1/2
 for an easy fitting of products with 1/2 inch connection in combination with mounting rail, internal thread G 1/2



59570

59570
IXMO Mounting rail
 for an easy and steplessly adjustable installation of the IXMO function units
 Length: 570, 800, 1250 mm



59553



59551

59553
Extension rosette
 25 mm, round or square, brass, for installation between tiles and finish set for installation of stop and diverter valve in walls with a low wall thickness, installation depth 55-80 mm, suitable for rough part art. no. 59553 000070

59551
Extension rosette
 25 mm, round or square, brass, for installation between tiles and finish set for installation of stop and diverter valve in walls with a low wall thickness, installation depth 55-80 mm, suitable for rough part art. no. 59541/000070, 59541/000170, 59548/000070, 59548/000170, 59556/000070, 59556/000170

59551
Extension rosette
 25 mm, round or square, brass, with red/blue marker, for installation between tiles and finish set for installation of stop and diverter valve in walls with a low wall thickness, installation depth 55-80 mm, suitable for rough part art. no. 59556/000070



59949



59949

59949
Tube interrupter
 in accordance with DIN EN 1717 in a wall mounting box with chrome-plated cover (round)

Note:
 Behind the tube interrupter is no shutoff allowed. Installation only in a vertical position.

59949
Cover cap
 round (90 mm Ø) or square (90 x 90 mm), for tube interrupter article no. 59949/000070



59551



59556

59551
Extension set for single lever mixer
 30 mm (installation depth 110-140 mm), for base structure 59551/000070

59556
Extension set for stop and diverter valve
 30 mm (installation depth 110-140 mm), for base structure 59541/000070, 59556/000070, 59548/000070



59553



59556

59553
Extension set for thermostatic mixer
 30 mm (installation depth 110-140 mm), for base structure 59553/000070

59556
Extension set for stop and diverter valve with wall outlet for shower hose
 30 mm (installation depth 110-140 mm), for base structure 59541/000170, 59556/000170, 59548/000170

KEUCO

Concept, design and lithography

Kontrast Communication Services GmbH, Düsseldorf

Text

KEUCO, Kontrast Communication Services GmbH, Düsseldorf

Photography

Jo Jankowski, Berlin;
Stephan Schacher, New York;
Casa, Münster

Printing

Meinders & Elstermann GmbH & Co. KG, Belm, Osnabrück
Printed on GALAXI Keramik. Supplied by Papier Union.

For more information please visit www.keuco.de