

COMFORT
REDEFINED

Arroll

Arroll
6 Longlands Avenue,
Newtownabbey,
Co. Antrim, BT36 7NE
Northern Ireland

Tel: +44 (0) 28 9036 5725
info@arroll.co.uk

www.arroll.co.uk

Stockists of Arroll Baths



COMFORT
REDEFINED

Arroll



QUALITY REDEFINED

Investing in an Arroll cast iron bath is an easy way to add elegance and glamour to your bathroom. Choose from our large range of exquisite designs, made with craft and precision, that will complement all kinds of interior styles.

It's not all about aesthetics. Choosing an Arroll cast iron bath makes sense for lots of reasons. Our baths provide a focal point for the bathroom. Highly resilient against scratches, chemicals or detergents, they maintain their shape bath after bath, are easy to clean, offer protection against bacteria and are 100% recyclable.

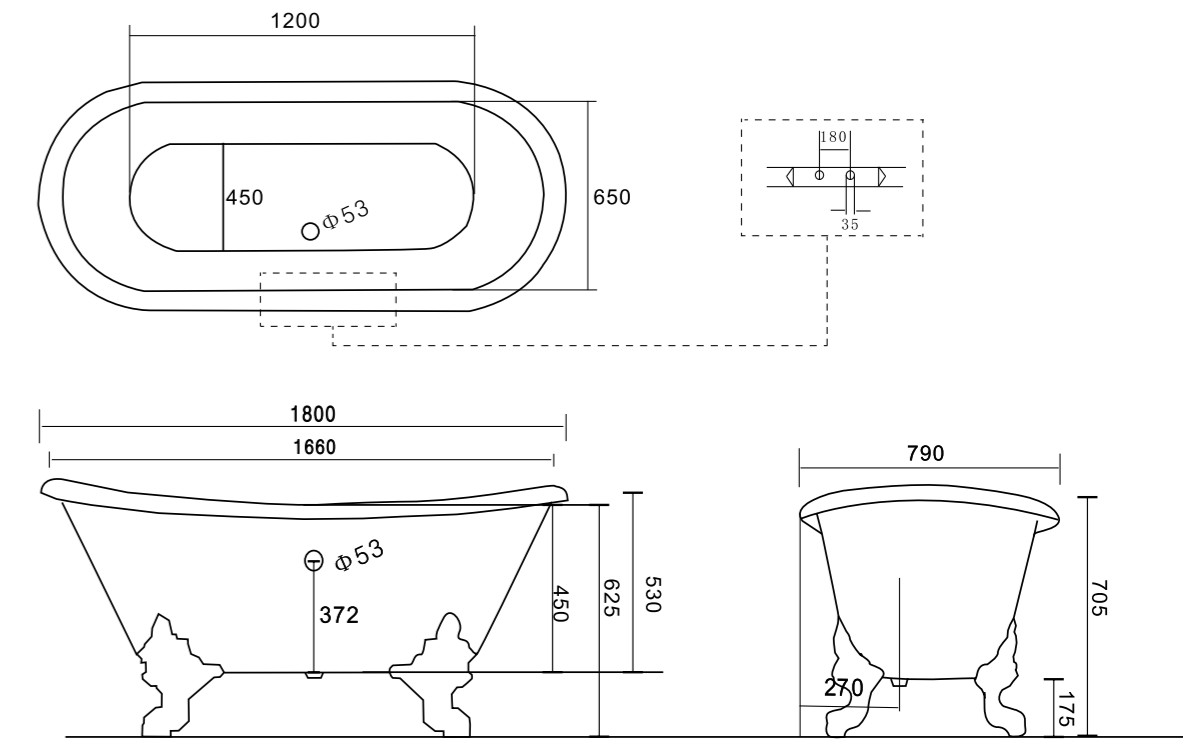
At Arroll, we remain true to the skill of the master craftsmen that passed their knowledge and expertise from one generation to the next. Our bathtubs are produced using the advanced "V" vacuum process that uses natural unspoiled sand for mould processing. They are crafted and glazed to the same high standards and meticulous attention to detail that were so commonplace in the original artisan foundries.

And we are determined to keep those traditions alive. In today's world where so many products are cheaply made, Arroll cast iron baths represent a move back to beautiful and functional furniture that are made to last - furniture your grandchildren will enjoy.



MILAN TECHNICAL SPECIFICATION

BATHTUB	
Size:	1800 x 790 x 625/705mm
Material:	Enamelled cast iron
Finishes:	Hand smoothed painted white exterior, easy to repaint
Option:	Two tap holes / No tap holes
Weight:	135 Kgs
Water Capacity:	225 Ltr
WITH IMPERIAL FEET	
Weight:	24 Kgs

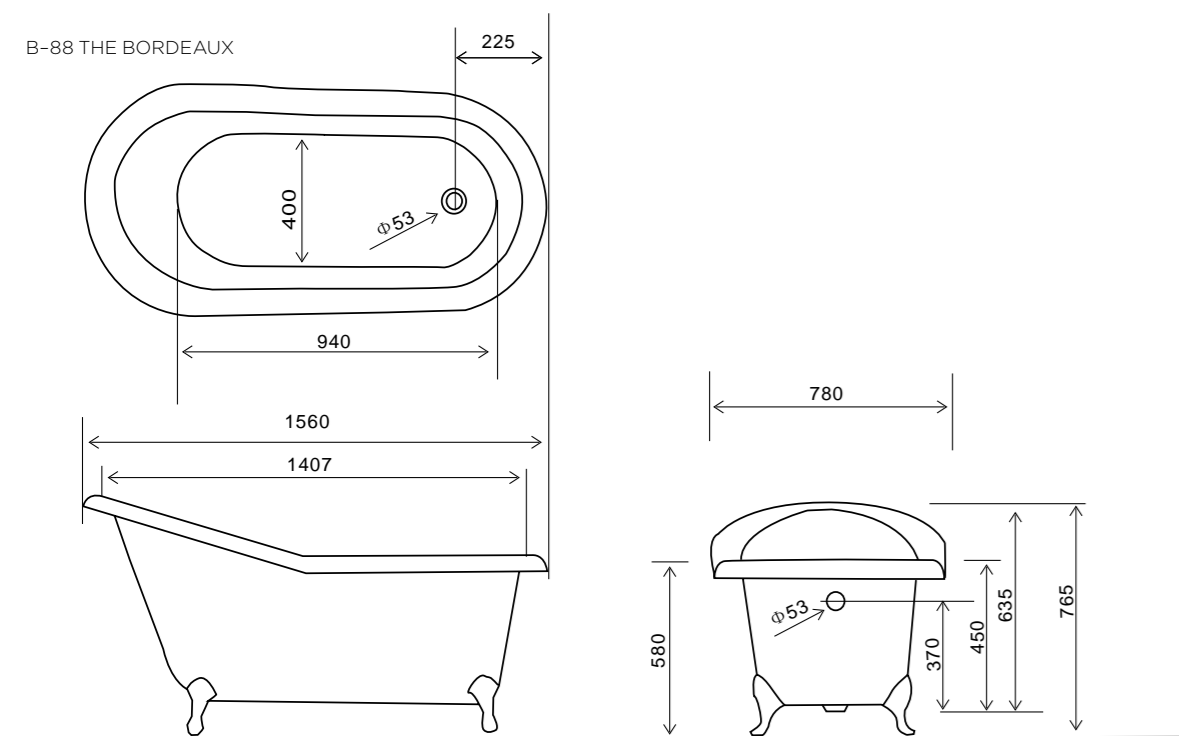


B-71-1 THE MILAN

The graceful lines of this classic roll top bath captures the subtle elegance of a bygone era. The freestanding ornate claw feet provide just the right amount of drama and look stunning in an open, loft style residence where the Milan looks especially sensational in a painted finish.

B-88 THE BORDEAUX
B-88 (1700) THE BORDEAUX

This comfortable, single ended slipper bath is the ultimate in luxurious relaxation. Ideal for sitting up and reading or simply bathing by candlelight, its beautiful proportions allow you to soak away the stresses of the day. Its ball and claw feet finish the look to adorn any kind of space or style.



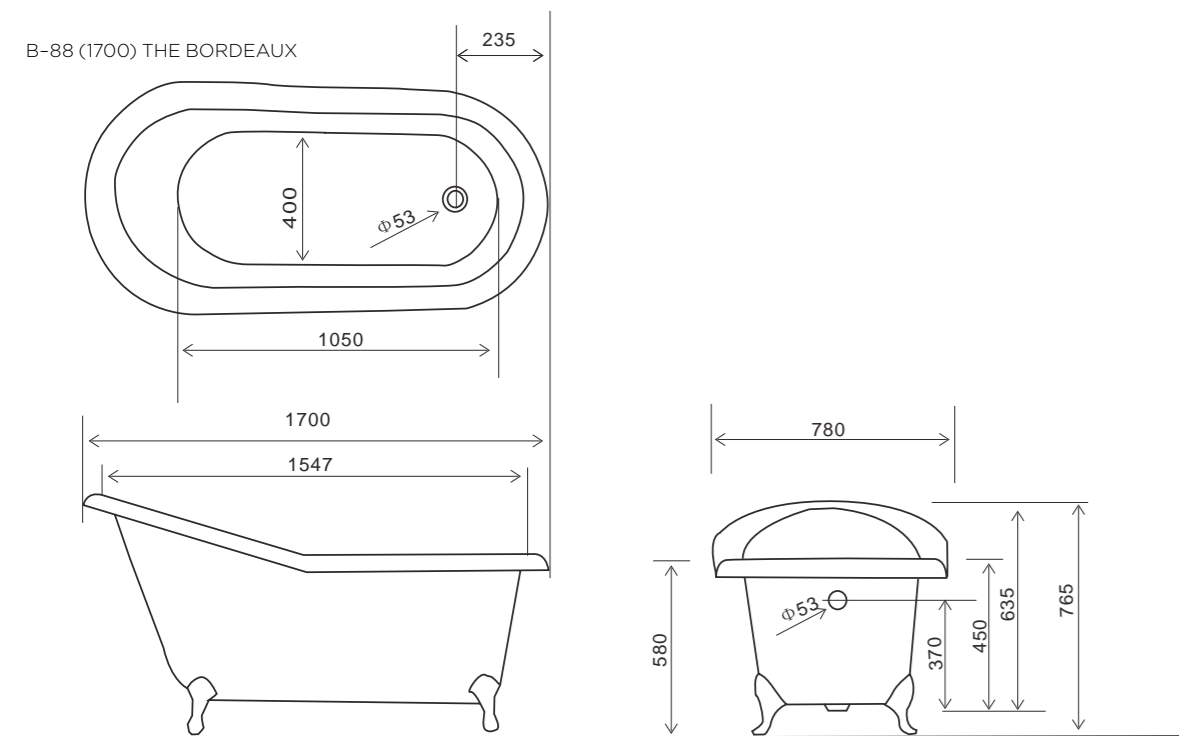
BORDEAUX TECHNICAL SPECIFICATION

BATHTUB

Size: 1560 x 780 x 765/580mm
 Material: Enamelled cast iron
 Finishes: Hand smoothed painted white exterior, easy to repaint
 Option: Two tap holes / no tap holes
 Weight: 115 Kgs
 Water Capacity: 160 Ltr

WITH CLAW FEET

Weight: 6 Kgs / 10 Kgs



BORDEAUX (1700) TECHNICAL SPECIFICATION

BATHTUB

Size: 1700 x 780 x 765/580mm
 Material: Enamelled cast iron
 Finishes: Hand smoothed painted white exterior, easy to repaint
 Option: Two tap holes / no tap holes
 Weight: 120 Kgs
 Water Capacity: 170 Ltr

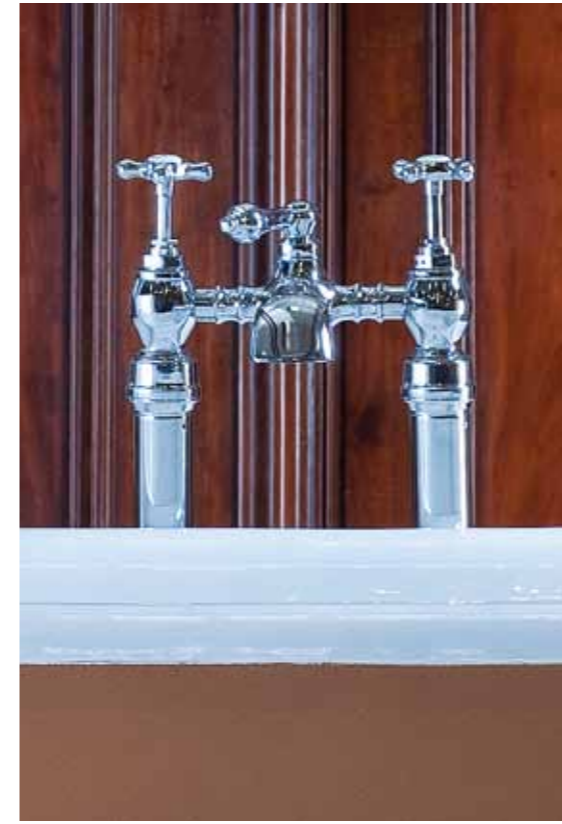
WITH CLAW FEET

Weight: 6 Kgs / 10 Kgs



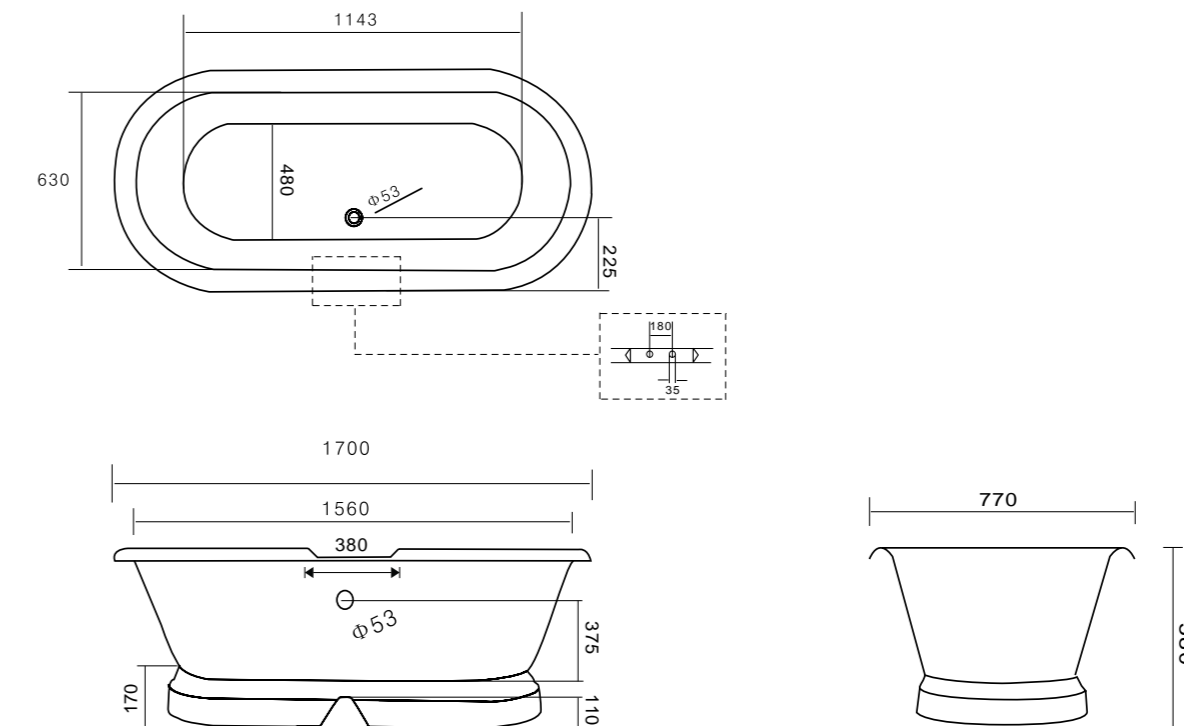
B-88, B-88 (1700) THE BORDEAUX

04-05



B-89-2 THE CHAUMONT

Generously proportioned for sipping Champagne à deux, this elegant plinth bath is inspired by the charm and decadence of the roaring 1920's. Art Deco in style, the Chaumont bath adds instant sophistication to contemporary bathrooms and bedrooms.



CHAUMONT TECHNICAL SPECIFICATION

BATHTUB	
Size:	1700 x 770 x 580mm
Material:	Enamelled cast iron
Finishes:	Hand smoothed painted white exterior, easy to repaint
Option:	Two tap holes / No tap holes
Tub Weight:	135 Kgs
Pedestal Weight:	60 Kgs
Water Capacity:	200 Ltr

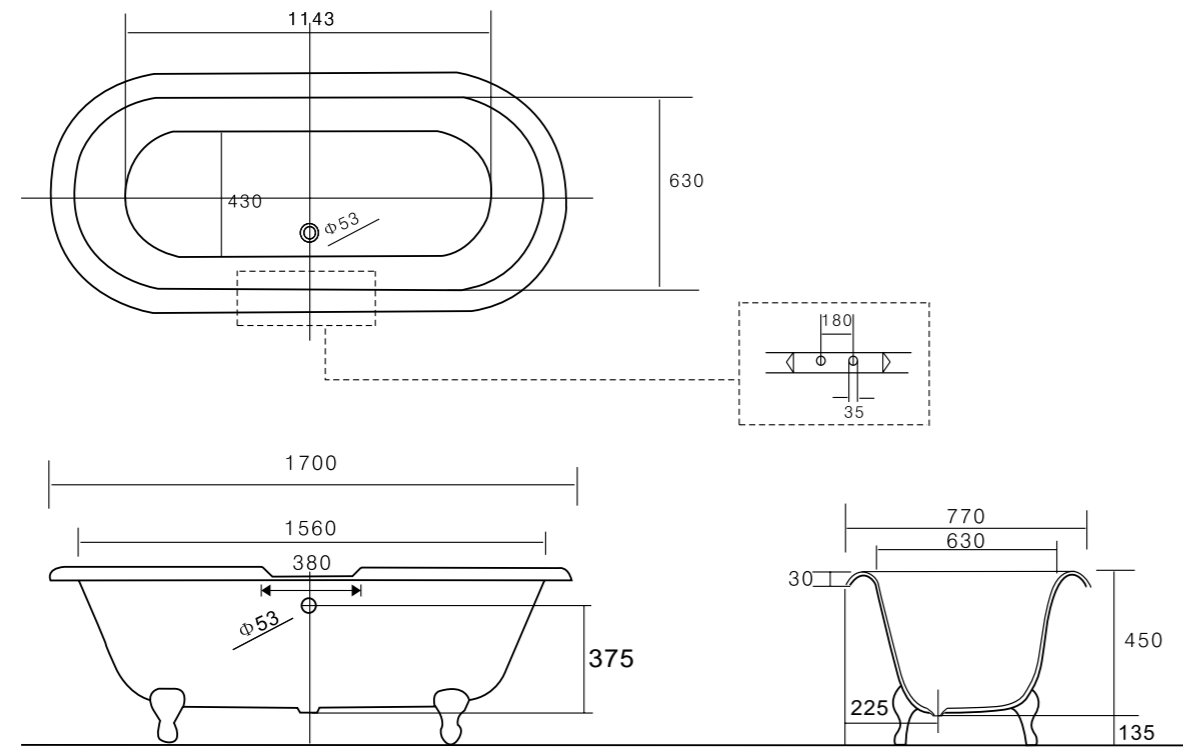
MOULIN TECHNICAL SPECIFICATION

BATHTUB

Size: 1700 x 770 x 585mm
Material: Enamelled cast iron
Finishes: White paint
Option: Two tap holes / No tap holes
Weight: 135 Kgs
Water Capacity: 200 Ltr

WITH IMPERIAL FEET

Weight: 10 Kgs



B-89 THE MOULIN

Sink into this deep and luxurious bath and let your cares float away. The Moulin is a classic roll top and our largest cast iron bath. Exuding cool luxury and style, its detailed ball and claw feet, gentle contours and deep roll make it a perfect bath for two.



B-89 THE MOULIN



08-09



B-89-1 THE CHEVERNY

Sink into this deep and luxurious bath and let your cares float away. The Cheverny is a classic roll top and our largest cast iron bath. Exuding cool luxury and style, its detailed ball and claw feet, gentle contours and deep roll make it a perfect bath for two.



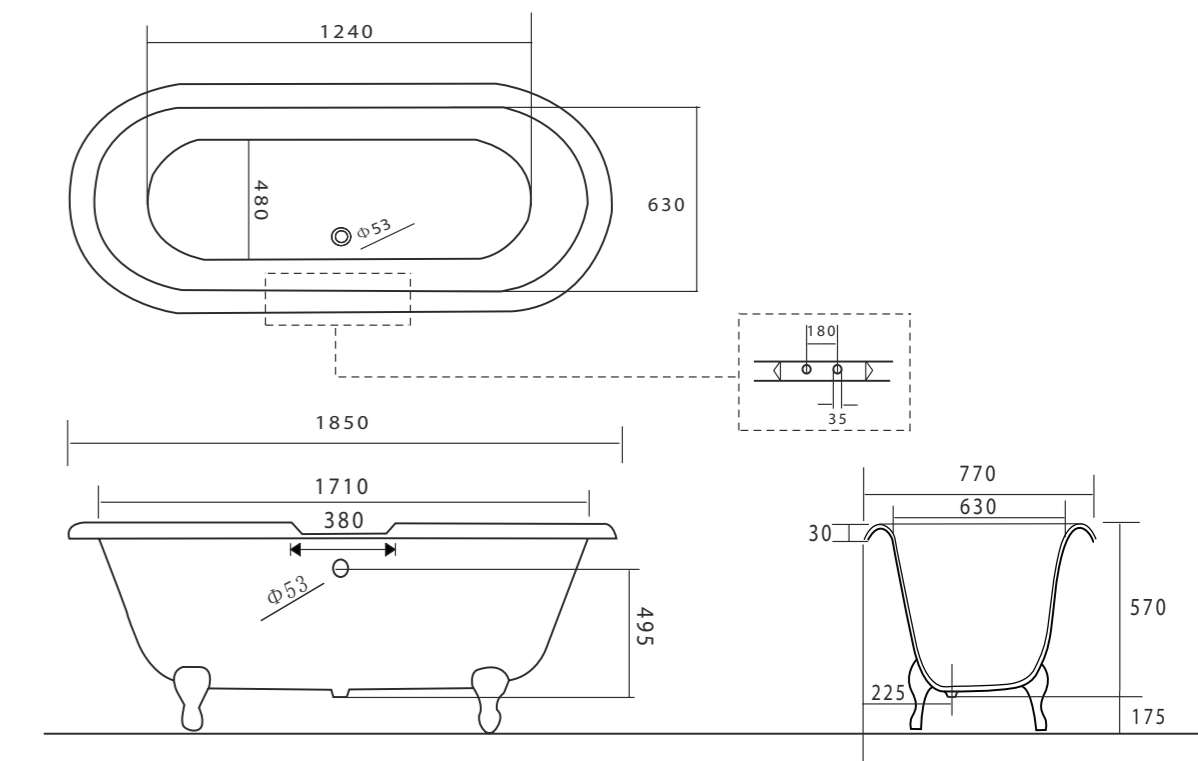
CHEVERNY TECHNICAL SPECIFICATION

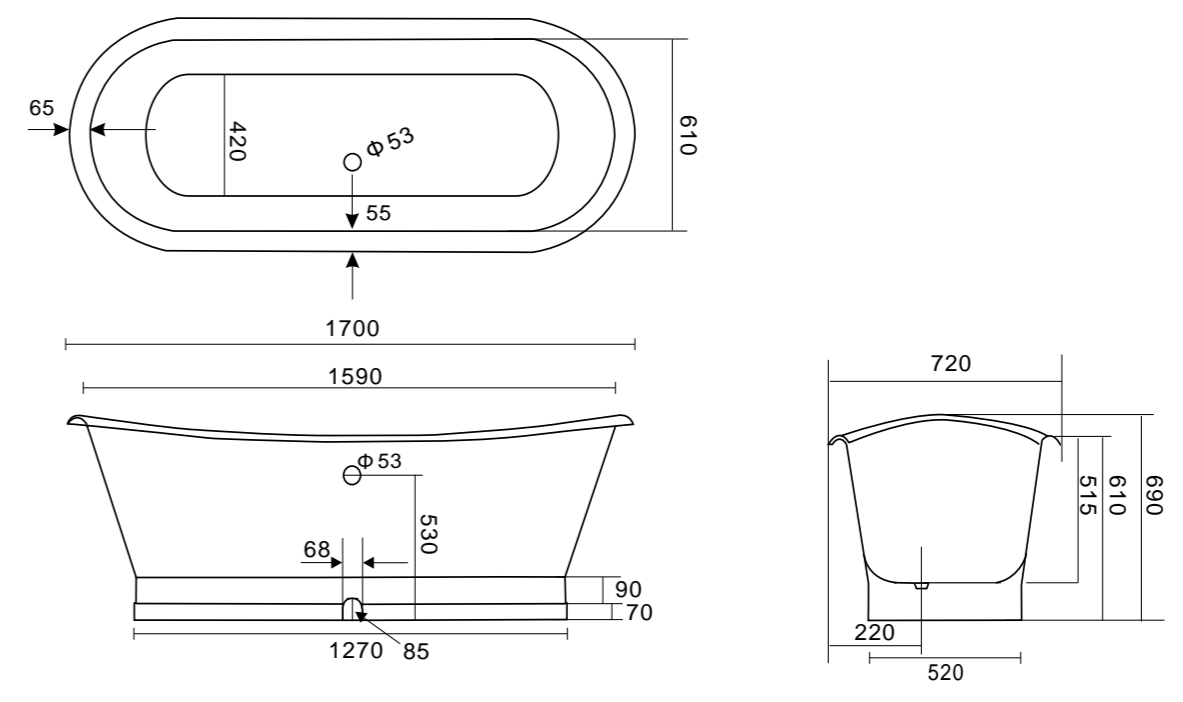
BATHTUB

Size:	1850 x 770 x 570mm
Material:	Enamelled cast iron
Finishes:	Hand smoothed painted white exterior, easy to repaint
Option:	Two tap holes / No tap holes
Weight:	168 Kgs
Water Capacity:	285 Ltr

WITH IMPERIAL FEET

Weight:	24 Kgs / 10 Kgs
---------	-----------------





LYON TECHNICAL SPECIFICATION

BATHTUB	
Size:	1700 x 720 x 610/690mm
Material:	Enamelled cast iron
Finishes:	Hand smoothed painted white exterior, easy to repaint or shining polished finish
Option:	No tap holes
Weight:	200 Kgs
Water Capacity:	215 Ltr

B-76-1 THE LYON

Our most traditional bath is based on the bateau style that was originally made from copper in 18th and 19th century France. The Lyon's proportions are designed for maximum comfort and total relaxation. A painted exterior looks stunning in contemporary and traditional bathrooms.



B-71 THE VERSAILLES

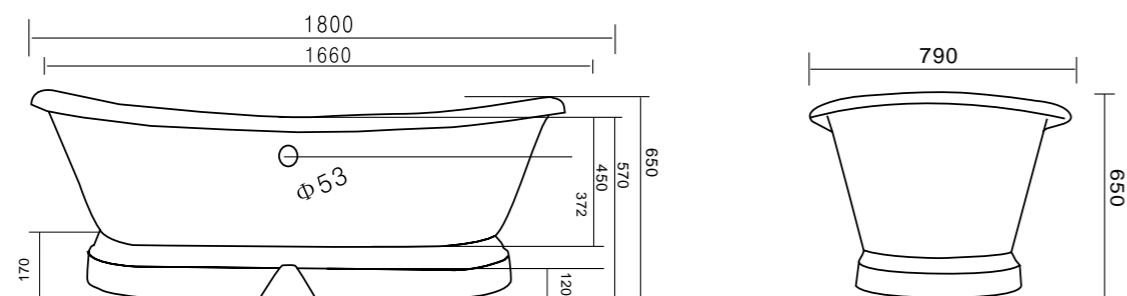
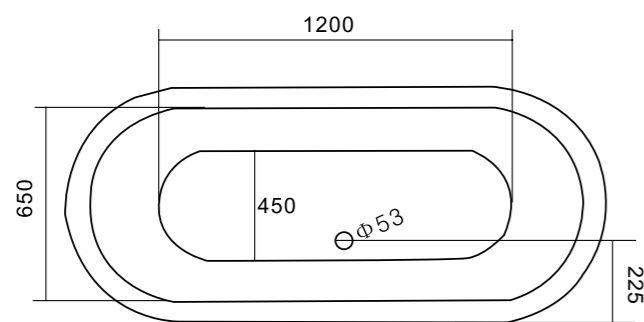
This Art Deco style plinth bath is similar to the Chaumont but has a gradual curve to the roll. Its sleek lines look sumptuous in any kind of interior style. Generous and comfortable, it provides a wonderful way to unwind and has more than enough room for two.



VERSAILLES TECHNICAL SPECIFICATION

BATHTUB

Size:	1800 x 790 x 570/650mm
Material:	Enamelled cast iron
Finishes:	Hand smoothed painted white exterior, easy to repaint
Option:	Two tap holes / No tap holes
Tub Weight:	138 Kgs
Pedestal Weight:	55 Kgs
Water Capacity:	225 Ltr



B-71 THE VERSAILLES



14-15

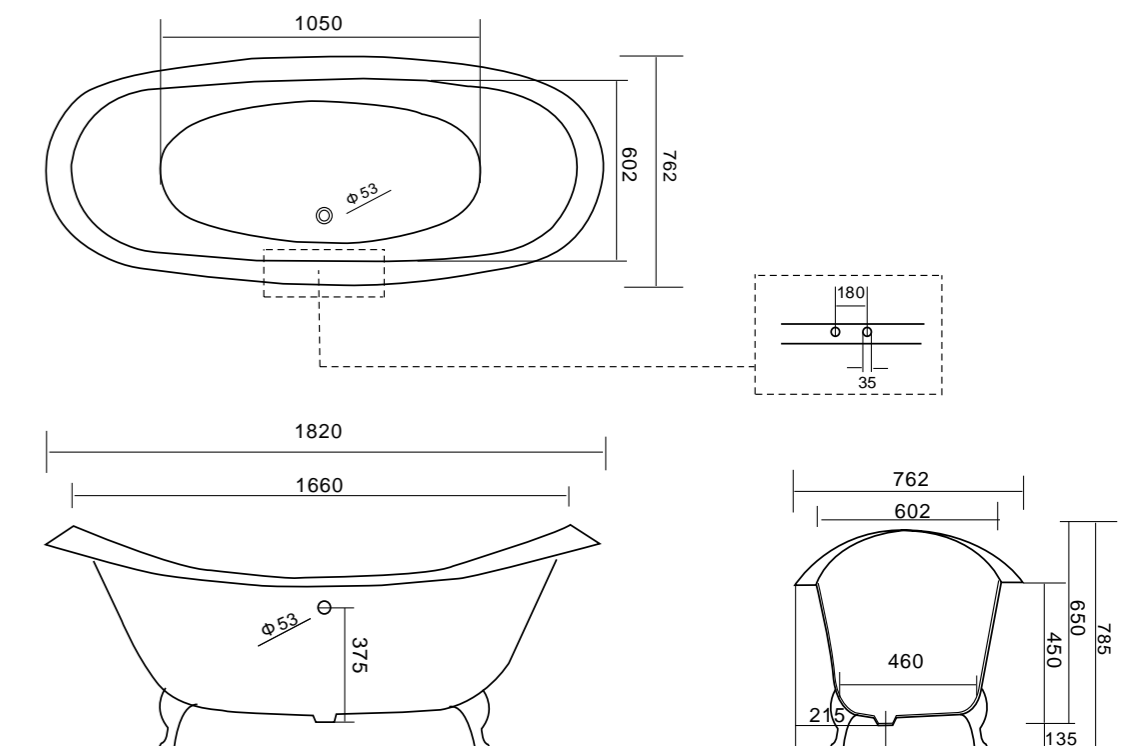


B-83 THE VILLANDRY

The Villandry double slipper bath is the ultimate expression of bathroom luxury. A glamorous bath that hints at a more hedonistic period, it brings all the drama and splendour of a 19th century French chateau to modern and traditional bathrooms. Plenty of space for two, The Villandry also comes with distinguished lion's paw feet.

VILLANDRY TECHNICAL SPECIFICATION

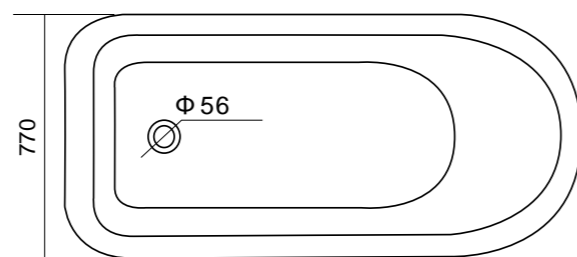
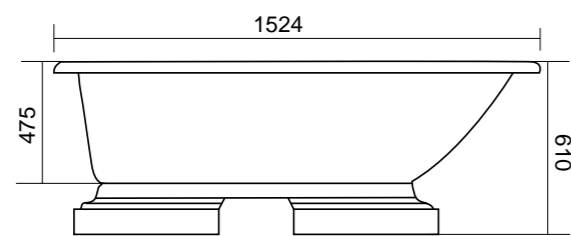
BATHTUB	
Size:	1820 x 762 x 585/785mm
Material:	Enamelled cast iron
Finishes:	Hand smoothed painted white exterior, easy to repaint
Option:	Two tap holes / No tap holes
Weight:	140 Kgs
Water Capacity:	190 Ltr
WITH CLAWFEET	
Weight:	24 Kgs





L-08 THE TOULOUSE

The Toulouse is based on an original 19th century French bateau design, and is a perfect expression of simple elegance. Its cool, clean lines make it a popular choice for contemporary bathrooms while its generous proportions make it the ideal tub for a family bathroom.



TOULOUSE TECHNICAL SPECIFICATION

BATHTUB	
Size:	1524mm
Material:	Enamelled cast iron
Finishes:	Hand smoothed painted white exterior, easy to repaint
Option:	No tap holes



L-08 THE TOULOUSE

18-19

HAVE IT YOUR WAY

OFF THE CHART

All our baths are produced in a primed white finish with chrome feet. Alternatively, choose to have the exterior of your bath painted by specifying a colour from our RAL chart examples of which are shown below.

Select your choice of claw and ball feet from our range of styles and finishes, all of which can be painted with a chosen RAL colour as well.

CLASSIC



MODERN



CONTEMPORARY



RANGE OVERVIEW

B-71-1 THE MILAN



Size
1800 x 790 x 625/705mm

Material
Enamelled cast iron

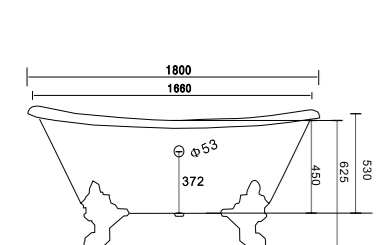
Finishes
Hand smoothed painted white exterior, easy to repaint

Option
Two tap holes
No tap holes

Weight
135 Kgs

Water Capacity
225 Ltr

Feet
Imperial - 24 Kgs



B-71-1 THE MILAN

B-88 THE BORDEAUX



Size
1560 x 780 x 765/580mm

Material
Enamelled cast iron

Finishes
Hand smoothed painted white exterior, easy to repaint

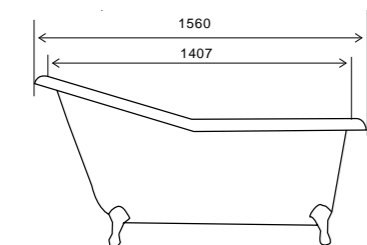
Option
Two tap holes
No tap holes

Weight
115 Kgs

Water Capacity
160 Ltr

Feet
Claw - 6 Kgs / 10 Kgs

This bath is also available in model number **B-88 (1700) THE BORDEAUX**. Please see page 04 for full spec or visit our website: www.arroll.com



B-88 THE BORDEAUX

B-89-2 THE CHAUMONT



Size
1700 x 770 x 580mm

Material
Enamelled cast iron

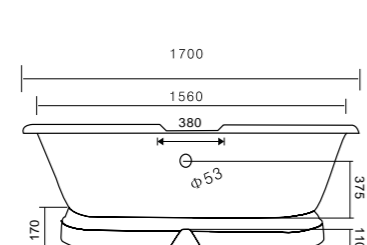
Finishes
Hand smoothed painted white exterior, easy to repaint

Option
Two tap holes
No tap holes

Tub Weight
135 Kgs

Pedestal Weight
60 Kgs

Water Capacity
200 Ltr



B-89-2 THE CHAUMONT

B-89 THE MOULIN



Size
1700 x 770 x 585mm

Material
Enamelled cast iron

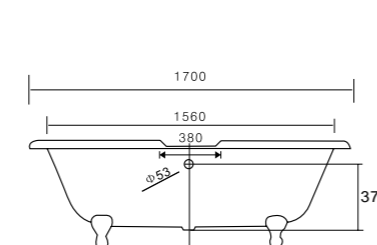
Finishes
White Paint

Option
Two tap holes
No tap holes

Weight
135 Kgs

Water Capacity
200 Ltr

Feet
Imperial - 10 Kgs



B-89 THE MOULIN

B-89-1 THE CHEVERNY



Size
1850 x 770 x 570mm

Material
Enamelled cast iron

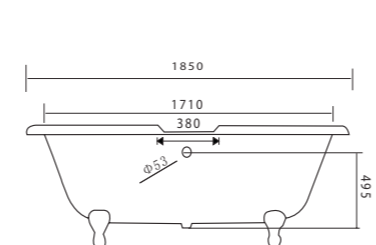
Finishes
Hand smoothed painted white exterior, easy to repaint

Option
Two tap holes
No tap holes

Weight
168 Kgs

Water Capacity
285 Ltr

Feet
Imperial - 24 Kgs / 10 Kgs



B-89-1 THE CHEVERNY

B-76-1 THE LYON



Size
1700 x 720 x 610/690mm

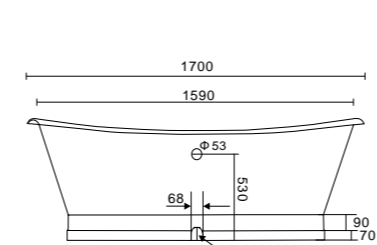
Material
Enamelled cast iron

Finishes
Hand smoothed painted white exterior, easy to repaint

Option
No tap holes

Tub Weight
200 Kgs

Water Capacity
215 Ltr



B-76-1 THE LYON

B-71 THE VERSAILLES



Size
1800 x 790 x 570/650mm

Material
Enamelled cast iron

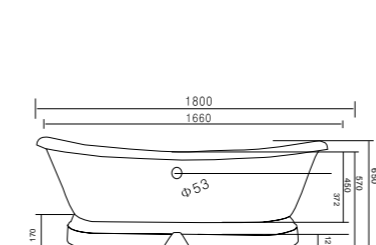
Finishes
Hand smoothed painted white exterior, easy to repaint

Option
Two tap holes
No tap holes

Tub Weight
138 Kgs

Pedestal Weight
55 Kgs

Water Capacity
225 Ltr



B-71 THE VERSAILLES

B-83 THE VILLANDRY



Size
1820 x 762 x 585/785mm

Material
Enamelled cast iron

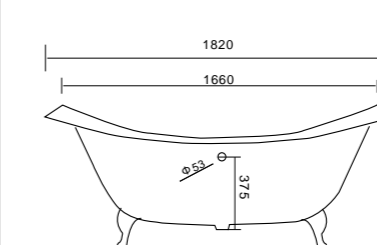
Finishes
Hand smoothed painted white exterior, easy to repaint

Option
Two tap holes
No tap holes

Weight
140kgs

Water Capacity
190 Ltr

Feet
Claw - 24 Kgs



B-83 THE VILLANDRY

L-08 THE TOULOUSE

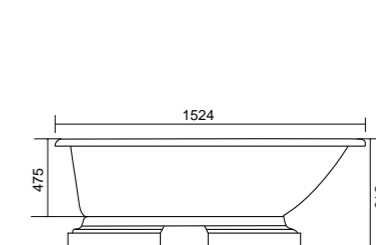


Size
1524mm

Material
Enamelled cast iron

Finishes
Hand smoothed painted white exterior, easy to repaint

Option
No tap holes



L-08 THE TOULOUSE

ACCESSORIES

MADE TO SUIT YOU

Our range of bath accessories are available in a variety of sizes and finishes, all of which are compatible with the entire Arroll range of baths. For a comprehensive specification on each of our accessories please visit our website.

TOWEL RADIATORS



Brass with Chrome finish



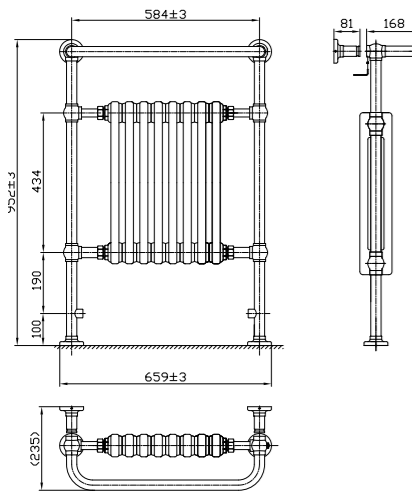
Brass with Chrome finish



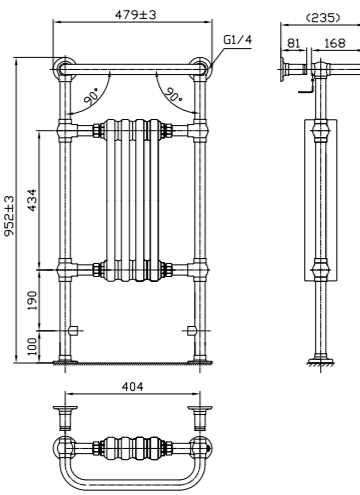
Brass with Chrome finish



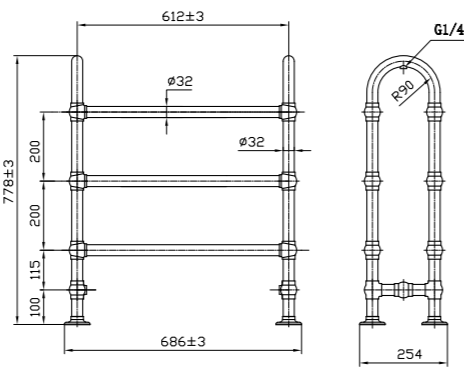
Brass with Chrome finish



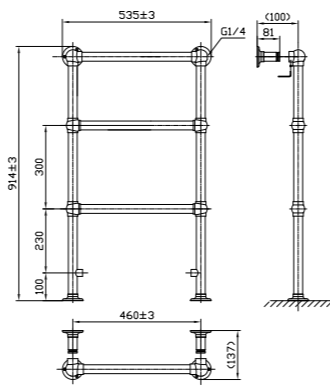
AF-IE 16001 8 COLUMN TOWEL RADIATOR 952mm x 659mm



AF-IE 16002 4 COLUMN TOWEL RADIATOR 952mm x 479mm



AF-NZ 160018 HOOPED TOWEL RAIL 778mm x 686mm



AF-NZ 18002 FLAT TOWEL RAIL 914mm x 535mm

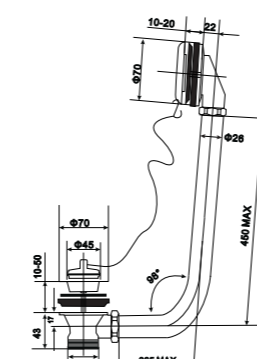
BATH WASTE KITS



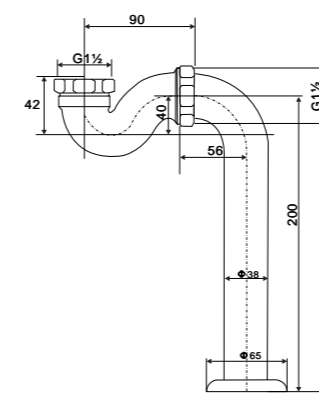
Brass bathtub drain, overflow pipe, brass plug with chain - Chrome finish



Brass with Chrome finish



B-1044 EXPOSED CHROME BATH WASTE

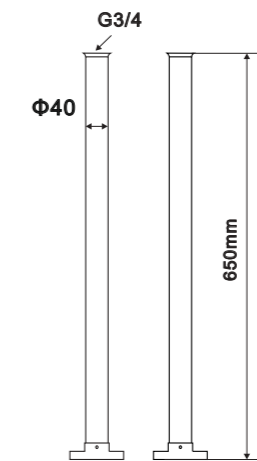


B-1053 CHROME SHALLOW SEAL TRAP

PIPE SHROUDS



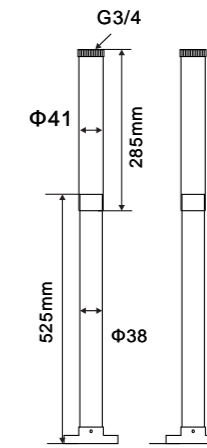
Brass with Chrome finish



B-610 FREESTANDING PIPE SHROUD



Brass with Chrome finish



B-610B EXPOSED CHROME TELESCOPIC PIPE SHROUD

TAPS



Brass with Chrome finish

HM-10 CHROME PLATED BRASS BATH TAPS