

AEON
sculptural heating



THE COLLECTION



WARM GREETINGS

Welcome to AEON, international market leaders in the design and production of aesthetically pleasing, ultra reliable heating solutions. We take great pride in turning the humble radiator or towel rail into a thing of unexpected beauty and unrivalled performance. Our striking collection has been created, crafted and hand-finished by experts, using only the finest quality materials available.

We now invite you to explore the collection and admire its versatility and elegance. Why compromise on style when it comes to heating? From discreet towel rails that slot seamlessly into an existing bathroom design to elaborate heated sculptures that become the undisputed focal point of the room; there is something to suit every taste and heating requirement.

Call us on 01908 271155 or visit www.aeon.uk.com

We hope you enjoy discovering what we have to offer.



Stainless Steel Collection



Aluminium Collection

BATHROOM COLLECTION	9
TOWER COLLECTION	85
DESIGNER COLLECTION	97
ALUMINIUM COLLECTION	157
VALVES & ACCESSORIES	166
TERMS & CONDITIONS	170
BASIC HEAT LOSS CALCULATOR	171
DELIVERY	172
QUALITY	173

BATHROOM



ATILLA
1 > 10



BOLERO
10 > 64



BOSPORUS
10 > 62



CAPPADOCIA
1 > 37



CAT LADDER
1 > 32



CENGIZ
1 > 34



CLIPPER
10 > 50



COFFER
10 > 70



COMBE
1 > 40



F-BAR & T-BAR
1 > 73



FATIH
1 > 24



G-TYPE
1 > 12



GALLANT
1 > 66



GALLIPOLI
10 > 68



GRANDEUR
10 > 52



HONEYCOMB
10 > 54



KAPTAN
1 > 30



KARNAK
1 > 28



LABREN
1 > 80



LINX
1 > 82



MAZE
1 > 58



PANACEA BATH
1 > 38



PETIT
1 > 37



PODIUM
10 > 76



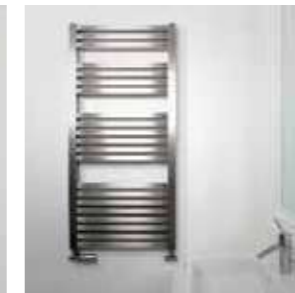
S-TYPE
1 > 60



SEREN
1 > 18



SERHAD
1 > 20



SERIF
1 > 16



SIESTA
1 > 14



SKUALL
1 > 78



TEMPEST
1 > 42



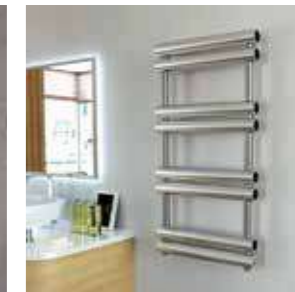
TIRENDAZ
1 > 74



TORA
1 > 26



TROGON
1 > 22



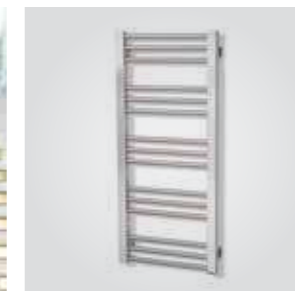
TUBO
1 > 44



TUDOR
1 > 46



WINDSOR
1 > 48



ZENITH
1 > 57

MORE >>

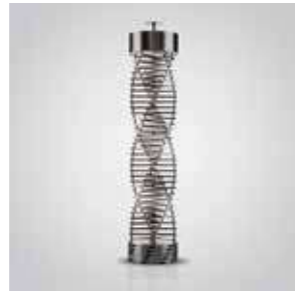
TOWER



ALIEN
R > 86



ECSTASY
R > 92



SPEIRA
R > 94



STANZA
R > 88



TRUVA
R > 90



MYSTIC
R > 116



OTTOMAN
R > 148



PANACEA
R > 132



PANACEA MIRROR
R > 134



PEGASUS
R > 156

DESIGNER



ABACUS
R > 100



ARAT L
R > 102



ARAT E
R > 104



ARMADA
R > 154



BAMBOO
R > 112



DALYA
R > 108



ELIXIR
R > 98



IMZA
R > 114



KARE
R > 106



LOKUM
R > 140



LUNAR
R > 118



MADONNA
R > 142



MARBELLA
R > 144



MARION
R > 110



MERIDIEN
R > 156



RENDE
R > 138



SOFI
R > 126



STRIA
R > 122



SUMELA
R > 150



SUPRA
R > 128



TARDIS
R > 136



TWISTER
R > 124



VENETIAN
R > 120



WAVE
R > 152



ZIG ZAG
R > 146

SYMBOL GUIDE

- E** Electric only
- H** Hot water systems
- D** Dual fuel systems
- R** Radiator
- R T** Radiator & Heated Towel Rail
- T** Heated Towel Rail
- T R** Heated Towel Rail & Radiator
- 6 8 10** Maximum Working Pressure (Bar)
- 95°C 120°C** Maximum Working Temperature
- O C** Open Heating System, Closed Heating System
- SS MS AL** Material: Stainless Steel, Mild Steel, Aluminium
- V H FS** Mounting Position: Vertical, Horizontal, Freestanding
- 10 YEARS** Warranty (Aluminium collection)
- 20 YEARS** Warranty (Stainless Steel collection)

ALUMINIUM



PLANET MOON
① > 158



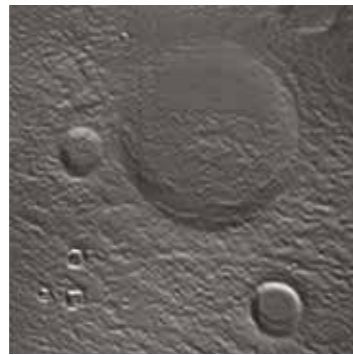
SESRIEM
① > 162



STARGATE
① > 160



FLUENT
① > 164



TEXTURED GREY
(TG)



GOLD
(GD)



TEXTURED SILVER
(TS)



BRONZE
(BR)



① MODEL SHOWN: STARGATE – TURN TO PAGE 160 TO FIND OUT MORE

BATHING BEAUTIES

Our bathrooms are now our sanctuaries, where we freshen up for the day ahead, or relax in heated luxury after the work is done. As such, we are paying more attention to their design than ever before. A gorgeous bathroom can sell a house and repair a fractious mood. So it needs to be beautiful, calming and above all, inviting.

Which means it needs it be warm. The right heating system can make your bathroom the closest thing to paradise on earth. Installing an AEON radiator or towel rail will ensure effective heat at the same time as classic beauty – the perfect combination for any room dedicated to pampering.



BATHROOM



ATILLA	10	CLIPPER	50
G-TYPE	12	GRANDEUR	52
SIESTA	14	HONEYCOMB	54
SERIF	16	ZENITH	57
SEREN	18	MAZE	58
SERHAD	20	S-TYPE	60
TROGON	22	BOSPORUS	62
FATIH	24	BOLERO	64
TORA	26	GALLANT	66
KARNAK	28	GALLIPOLI	68
KAPTAN	30	COFFER	70
CAT LADDER	32	F-BAR	73
CENGIZ	34	T-BAR	73
CAPPADOCIA	37	TIRENDAZ	74
PETIT	37	PODIUM	76
PANACEA BATH	38	SKUALL	78
COMBE	40	LABREN	80
TEMPEST	42	LINX	82
TUBO	44		
TUDOR	46		
WINDSOR	48		



ATILLA

Reassuringly solid. This contemporary, square towel rail brings warmth where it's needed. An essential element of the kitchen or bathroom, it co-ordinates beautifully with its surroundings.

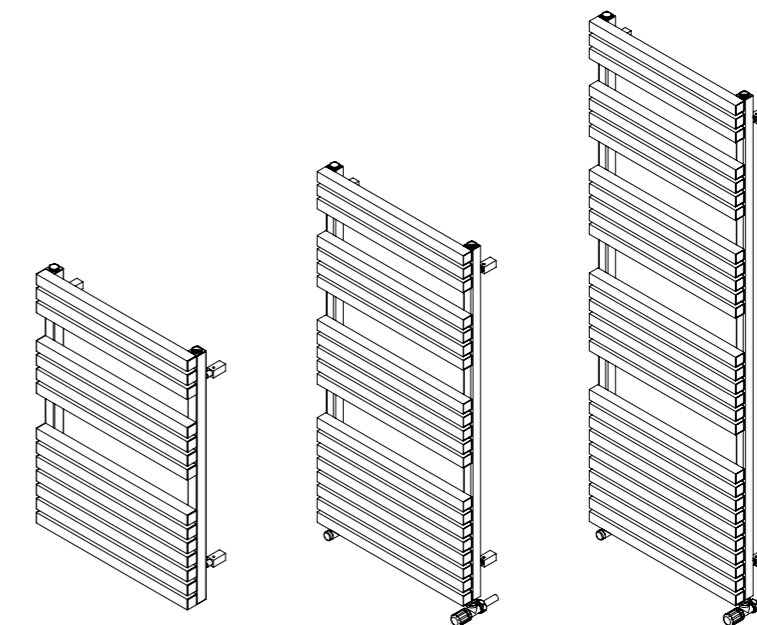
i Model shown: Opposite page: AT5A15-S (brushed matt)

ATILLA

SS MATERIAL
 10 WORKING PRESSURE
 120°C WORKING TEMP.
 O C OPEN/CLOSED SYSTEM
 V MOUNT POSITION
 20 YEARS WARRANTY

Product Name	Height (mm)	Length (mm)	Depth (mm)	Fuel Options (E/H/D)	Towel Gaps	Pipes or Sections	Heat Output (BTU/w) ΔT 50		E: Electric only Choice of Elements (Watts)		Finish
							602	860	300	400	S: Brushed Matt P: Polished
AT5A7	710	500	60	E/H/D	2	14	2056	602	300	400	S, P
AT5A10	1040	500	60	E/H/D	3	20	2937	860	400	600	S, P
AT5A15	1480	500	60	E/H/D	4	28	4112	1204	600	900	S, P

We recommend the 3 Bar Safety Valve for all ELECTRIC ONLY (E) products. Dual Fuel is possible either by use of "T" piece and radiator valve or by use of ONE850 or ONE851 (4 way valve)



Call us on 01908 271155 or visit www.aeon.uk.com



G-TYPE

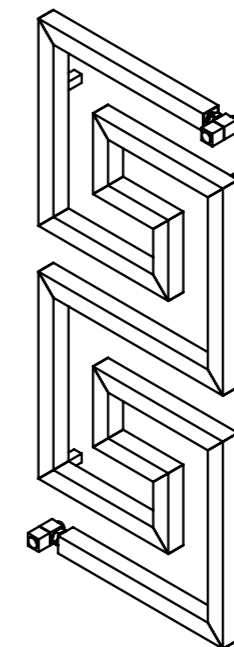
Bring your bathroom to life.
Heat your room in style with the unique square spiral of G-Type.

Model shown: G-Type 1249P

G-TYPE

SS MATERIAL
 10 WORKING PRESSURE
 120°C WORKING TEMP.
 O C OPEN/CLOSED SYSTEM
 V MOUNT POSITION
 20 YEARS WARRANTY

Product Name	Height (mm)	Length (mm)	Depth (mm)	Fuel Options (E/H/D)	Towel Gaps	Pipes or Sections	E: Electric only	
							Choice of Elements (Watts)	Finish S: Brushed Matt P: Polished
G-Type1249	1200	490	40	E/H/D	8	17	400	S,P



AEON 14 SIESTA



AEON 15 SIESTA



SIESTA

Everyone knows the restorative powers of a well-timed nap. So imagine snoozing whilst wrapped up in a bathrobe warmed by the smooth panels of this high-performance towel rail. Bliss.

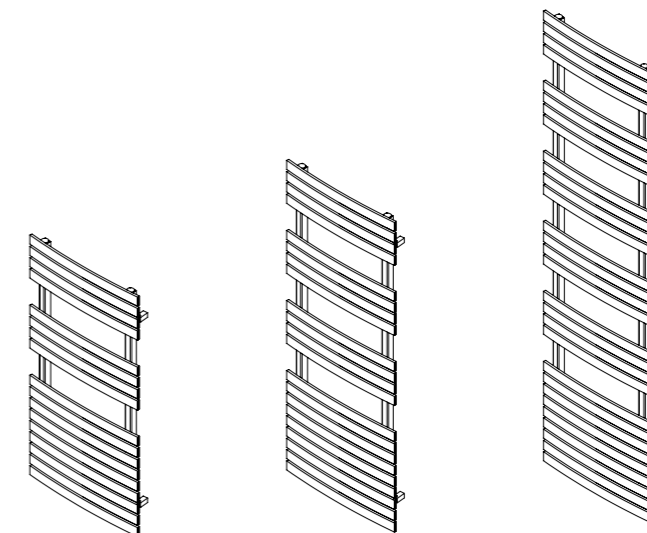
Model shown: Opposite page: SIE520-29-S (brushed matt) Above: SIE514-21-S (brushed matt)

SIESTA

SS MATERIAL
 10 WORKING PRESSURE
 120°C WORKING TEMP.
 O C OPEN/CLOSED SYSTEM
 V MOUNT POSITION
 20 YEARS WARRANTY

Product Name	Height (mm)	Length (mm)	Depth (mm)	Fuel Options (E/H/D)	Towel Gaps	Pipes or Sections	Heat Output (BTU/w) ΔT 50		E: Electric only Choice of Elements (Watts)		Finish
									300	400	S, P
SIE510-17	1060	550	50	E/H/D	2	17	2469	724	300	400	S, P
SIE514-21	1370	550	50	E/H/D	3	21	3076	902	400	600	S, P
SIE520-29	1990	550	50	E/H/D	4	29	4245	1245	600	900	S, P

We recommend the 3 Bar Safety Valve for all ELECTRIC ONLY (E) products. Dual Fuel is possible either by use of "T" piece and radiator valve or by use of ONE850 or ONE851 (4 way valve)



Call us on 01908 271155 or visit www.aeon.uk.com



SERIF

Beautiful stainless steel combined with great design credentials. The distinctively architectural lines of this towel rail's chunky rows and dramatic columns give it an enduring, no-nonsense appeal.

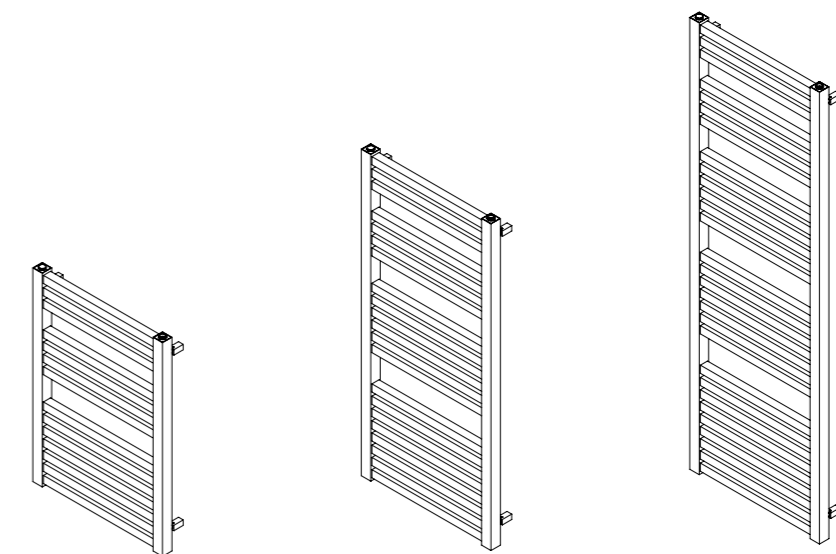
Model shown: Opposite page: SRF5S12-S (brushed matt)

SERIF

SS MATERIAL
 10 WORKING PRESSURE
 120°C WORKING TEMP.
 O C OPEN/CLOSED SYSTEM
 V MOUNT POSITION
 20 YEARS WARRANTY

Product Name	Height (mm)	Length (mm)	Depth (mm)	Fuel Options (E/H/D)	Towel Gaps	Pipes or Sections	Heat Output (BTU/w) ΔT 50		E: Electric only Choice of Elements (Watts)		Finish S: Brushed Matt P: Polished
SRF5S8	785	550	40	E/H/D	2	14	1289	378	300	400	S, P
SRF5S12	1200	550	40	E/H/D	3	21	1933	567	400	600	S, P
SRF5S17	1660	550	40	E/H/D	4	29	2670	783	600	900	S, P

We recommend the 3 Bar Safety Valve for all ELECTRIC ONLY (E) products. Dual Fuel is possible either by use of "T" piece and radiator valve or by use of ONE850 or ONE851 (4 way valve)



Call us on 01908 271155 or visit www.aeon.uk.com



Model shown with chrome trim

Model shown with gold trim

SEREN

Cool stainless steel provides a practical, elegant place to keep towels warm. Spacious enough to accommodate even the largest family at bath-time and superbly crafted to ensure a flawless finish.

T Model shown on opposite page: SE175-55-S (brushed matt)

SEREN

SS MATERIAL
 10 WORKING PRESSURE
 120°C WORKING TEMP.
 O C OPEN/CLOSED SYSTEM
 V MOUNT POSITION
 20 YEARS WARRANTY

Product Name	Height (mm)	Length (mm)	Depth (mm)	Fuel Options (E/H/D)	Towel Gaps	Pipes or Sections	Heat Output (BTU/w) ΔT 50		E: Electric only Choice of Elements (Watts)		Finish S: Brushed Matt P: Polished
SE75	750	550	32	E/H/D	1	14	1599	468	300	400	S, P
SE76	750	650	32	E/H/D	1	14	1817	532	300	400	S, P
SE105	1000	550	32	E/H/D	2	18	2271	665	400	600	S, P
SE135	1300	550	32	E/H/D	2	22	2439	714	400	600	S, P
SE136	1300	650	32	E/H/D	2	22	2862	838	400	600	S, P
SE175	1750	550	32	E/H/D	3	30	3651	1069	600	900	S, P
SE176	1750	650	32	E/H/D	3	30	4266	1249	600	900	S, P
SE75C	750	550	32	E/H/D	1	14	1599	468	300	400	S
SE76C	750	650	32	E/H/D	1	14	1817	532	300	400	S
SE105C	1000	550	32	E/H/D	2	18	2271	665	400	600	S
SE135C	1300	550	32	E/H/D	2	22	2439	714	400	600	S
SE136C	1300	650	32	E/H/D	2	22	2862	838	400	600	S
SE175C	1750	550	32	E/H/D	3	30	3651	1069	600	900	S
SE176C	1750	650	32	E/H/D	3	30	4266	1249	600	900	S
SE75G	750	550	32	E/H/D	1	14	1599	468	300	400	S
SE76G	750	650	32	E/H/D	1	14	1817	532	300	400	S
SE105G	1000	550	32	E/H/D	2	18	2271	665	400	600	S
SE135G	1300	550	32	E/H/D	2	22	2439	714	400	600	S
SE136G	1300	650	32	E/H/D	2	22	2862	838	400	600	S
SE175G	1750	550	32	E/H/D	3	30	3651	1069	600	900	S
SE176G	1750	650	32	E/H/D	3	30	4266	1249	600	900	S

We recommend the 3 Bar Safety Valve for all ELECTRIC ONLY (E) products. Dual Fuel is possible either by use of "T" piece and radiator valve or by use of ONE850 or ONE851 (4 way valve)

Call us on 01908 271155 or visit www.aeon.uk.com



Model shown with brushed chrome finish

Model shown with gold trim

SERHAD

Reliable and bold. This chic design brings the humble towel rail bang up to date with flair and finesse. Don't be fooled by its simplicity. This is engineering brilliance.

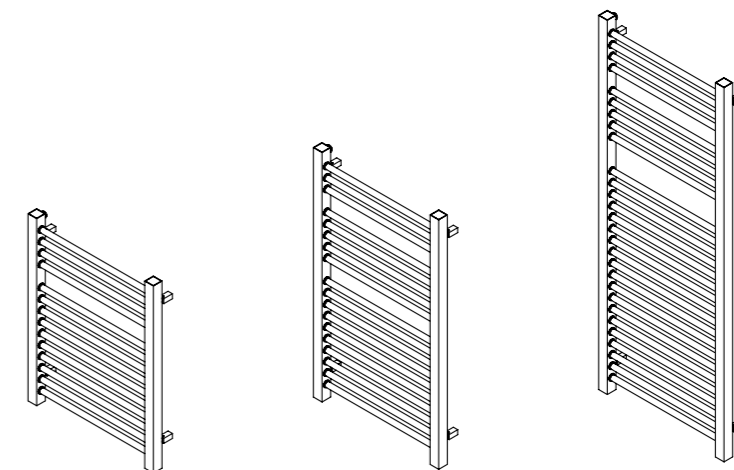
i Model shown on opposite page: SRD150-50-S (brushed chrome finish)

SERHAD

SS MATERIAL
 10 WORKING PRESSURE
 120°C WORKING TEMP.
 O C OPEN/CLOSED SYSTEM
 V MOUNT POSITION
 20 YEARS WARRANTY

Product Name	Height (mm)	Length (mm)	Depth (mm)	Fuel Options (E/H/D)	Towel Gaps	Pipes or Sections	Heat Output (BTU/w) ΔT 50		E: Electric only Choice of Elements (Watts)		Finish S: Brushed Matt P: Polished
SRD75	750	580	40	E/H/D	1	14	1592	466	300	400	S, P
SRDE76	750	680	40	E/H/D	1	14	1718	503	300	400	S, P
SRD105	1000	580	40	E/H/D	2	18	2036	596	400	600	S, P
SRD106	1000	680	40	E/H/D	2	18	2145	628	400	600	S, P
SRD155	1500	580	40	E/H/D	3	28	3299	966	600	900	S, P
SRD156	1500	680	40	E/H/D	3	28	3392	993	600	900	S, P

We recommend the 3 Bar Safety Valve for all ELECTRIC ONLY (E) products. Dual Fuel is possible either by use of "T" piece and radiator valve or by use of ONE850 or ONE851 (4 way valve)



Call us on 01908 271155 or visit www.aeon.uk.com



TROGON

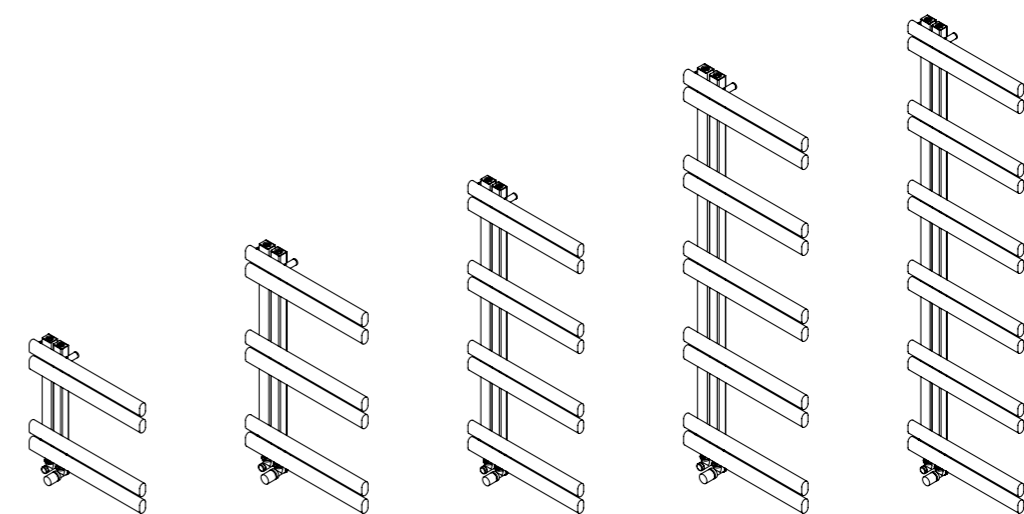
Keeping interiors warm and stylish, Trogon is a simple yet elegant compliment to any room. The wonderful handmade touch ensures the highest quality finish in a brushed or polished clean look.

Model shown: TRI450P

TROGON

SS MATERIAL
 8 WORKING PRESSURE
 120°C WORKING TEMP.
 O C OPEN/CLOSED SYSTEM
 V MOUNT POSITION
 20 YEARS WARRANTY

Product Name	Height (mm)	Length (mm)	Depth (mm)	Fuel Options (E/H/D)	Towel Gaps	Pipes or Sections	Heat Output (BTU/w) ΔT 50		E: Electric only Choice of Elements (Watts)		Finish S: Brushed Matt P: Polished
							638	187	150	300	
TR0550	460	500	55	E/H/D	1	4	638	187	150	300	S, P
TR0850	775	500	55	E/H/D	2	6	995	292	300	400	S, P
TR1050	1090	500	55	E/H/D	3	8	1351	396	300	400	S, P
TR1450	1405	500	55	E/H/D	4	10	1708	501	400	600	S, P
TR1750	1720	500	55	E/H/D	5	12	2065	605	600	900	S, P



Call us on 01908 271155 or visit www.aeon.uk.com



FATIH

The shape of things to come. These sharp rectangular frames shout precision engineering, while the modern, stylish design provides more than enough space for your towels.

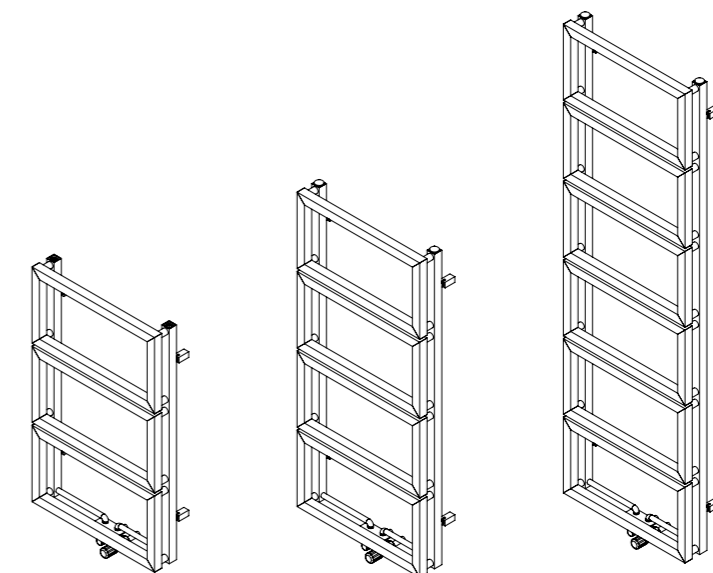
i Model shown on opposite page: FASF17-S (brushed matt)

FATIH

SS MATERIAL
10 WORKING PRESSURE
120°C WORKING TEMP.
O C OPEN/CLOSED SYSTEM
V MOUNT POSITION
20 YEARS WARRANTY

Product Name	Height (mm)	Length (mm)	Depth (mm)	Fuel Options (E/H/D)	Towel Gaps	Pipes or Sections	Heat Output (BTU/w) ΔT 50		E: Electric only Choice of Elements (Watts)		Finish S: Brushed Matt P: Polished
							1500	2000	300	400	
FASF8	830	500	90	E/H/D	3	14	1527	447	300	400	S, P
FASF11	1110	500	90	E/H/D	4	18	2012	589	400	600	S, P
FASF17	1670	500	90	E/H/D	6	26	3019	884	600	900	S, P

We recommend the 3 Bar Safety Valve for all ELECTRIC ONLY (E) products. Dual Fuel is possible either by use of "T" piece and radiator valve or by use of ONE850 or ONE851 (4 way valve)





TORA

Timeless, classic beauty in the simple stainless steel rows and columns of this generously proportioned towel rail. Guaranteed to make any room a better place to be.

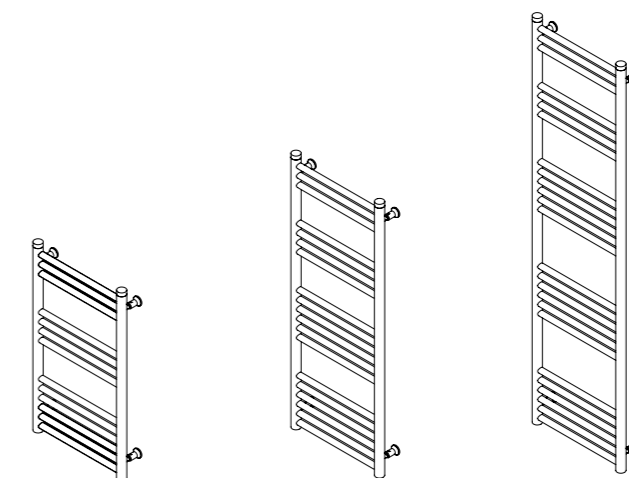
i Model shown on opposite page: TOR415-4-S (brushed matt)

TORA

SS MATERIAL
 10 WORKING PRESSURE
 120°C WORKING TEMP.
 O C OPEN/CLOSED SYSTEM
 V MOUNT POSITION
 20 YEARS WARRANTY

Product Name	Height (mm)	Length (mm)	Depth (mm)	Fuel Options (E/H/D)	Towel Gaps	Pipes or Sections	Heat Output (BTU/w) ΔT 50		E: Electric only Choice of Elements (Watts)		Finish S: Brushed Matt P: Polished
							1	2	1	2	
TOR407-2	718	400	32	E/H/D	2	13	1001	293	150	300	S, P
TOR410-3	1044	400	32	E/H/D	3	19	1462	428	300	400	S, P
TOR415-4	1550	400	32	E/H/D	4	25	1926	564	400	600	S, P
TOR507-2	718	500	32	E/H/D	2	13	1250	366	150	300	S, P
TOR510-3	1044	500	32	E/H/D	3	19	1827	535	300	400	S, P
TOR515-4	1550	500	32	E/H/D	4	25	2408	705	400	600	S, P

We recommend the 3 Bar Safety Valve for all ELECTRIC ONLY (E) products. Dual Fuel is possible either by use of "T" piece and radiator valve or by use of ONE850 or ONE851 (4 way valve)



Call us on 01908 271155 or visit www.aeon.uk.com



KARNAK

Post-bathing paradise. Imagine a place where all your towels can gently warm while you relax in the bath. This heated rail provides lots of space – even for the longest of towels.

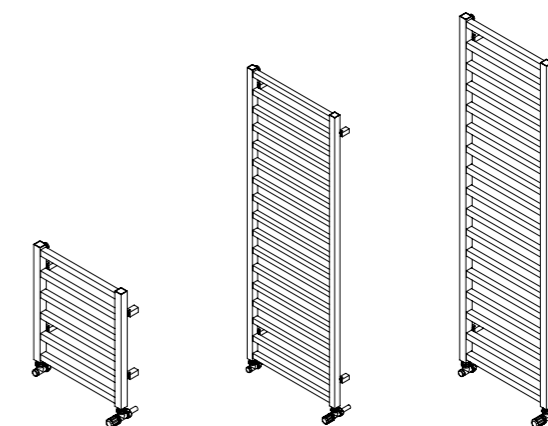
I Model shown on opposite page: 5K17-5 (brushed matt)

KARNAK

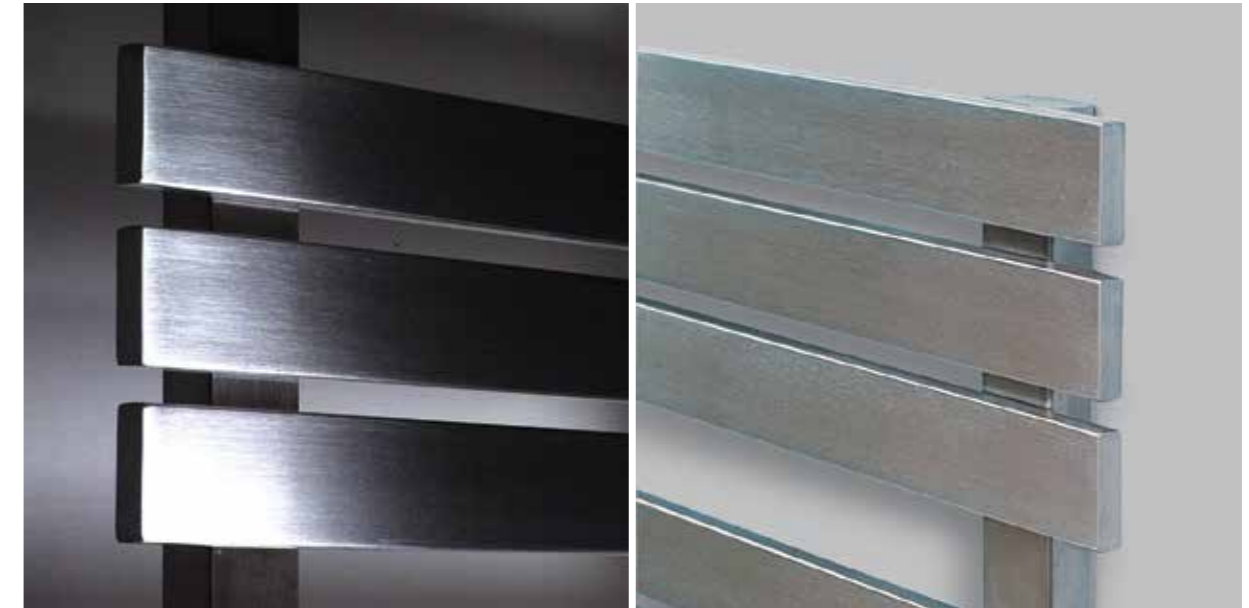
SS MATERIAL
10 WORKING PRESSURE
120°C WORKING TEMP.
O C OPEN/CLOSED SYSTEM
V MOUNT POSITION
20 YEARS WARRANTY

Product Name	Height (mm)	Length (mm)	Depth (mm)	Fuel Options (E/H/D)	Towel Gaps	Pipes or Sections	Heat Output (BTU/w) ΔT 50		E: Electric only Choice of Elements (Watts)		Finish S: Brushed Matt P: Polished
3K10	1000	310	30	E/H/D	11	12	519	152	150	300	S, P
3K14	1440	310	30	E/H/D	16	17	735	215	300	400	S, P
4K5	480	420	30	E/H/D	5	6	351	103	90	150	S, P
4K14	1440	420	30	E/H/D	16	17	995	291	300	400	S, P
5K10	1000	500	30	E/H/D	11	12	836	245	400	600	S, P
5K14	1440	500	30	E/H/D	16	17	1185	347	300		S, P
5K17	1700	500	30	E/H/D	19	20	1468	430	400	600	S, P

We recommend the 3 Bar Safety Valve for all ELECTRIC ONLY (E) products. Dual Fuel is possible either by use of "T" piece and radiator valve or by use of ONE850 or ONE851 (4 way valve)



Call us on 01908 271155 or visit www.aeon.uk.com



KAPTAN

It's a radiator, but not as we know it. This innovative set of horizontal bars displays true class with its satin finish and unrivalled performance. A perfect example of what we do best.

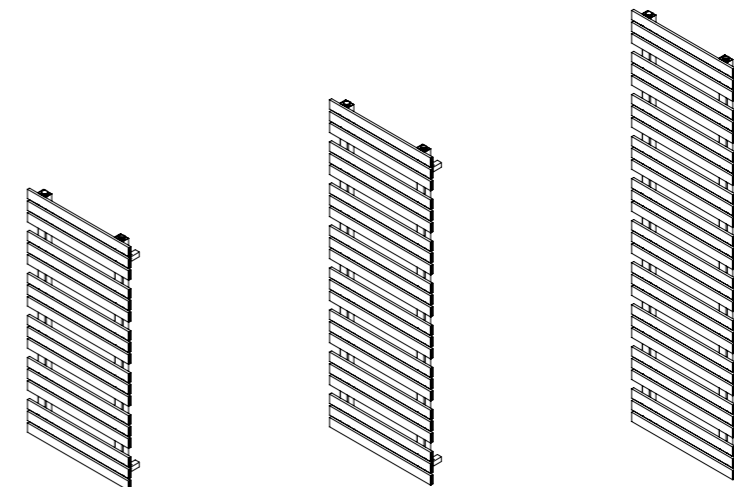
i Model shown on opposite page: KA24-S (brushed matt)

KAPTAN

SS MATERIAL
10 WORKING PRESSURE
120°C WORKING TEMP.
O C OPEN/CLOSED SYSTEM
V MOUNT POSITION
20 YEARS WARRANTY

Product Name	Height (mm)	Length (mm)	Depth (mm)	Fuel Options (E/H/D)	Towel Gaps	Pipes or Sections	Heat Output (BTU/w) ΔT 50		E: Electric only Choice of Elements (Watts)		Finish S: Brushed Matt P: Polished
							2388	699	300	400	
KA18	1040	500	40	E/H/D	5	18	2388	699	300	400	S, P
KA24	1400	500	40	E/H/D	7	24	3183	932	400	600	S, P
KA30	1760	500	40	E/H/D	9	30	3979	1165	600	900	S, P

We recommend the 3 Bar Safety Valve for all ELECTRIC ONLY (E) products. Dual Fuel is possible either by use of "T" piece and radiator valve or by use of ONE850 or ONE851 (4 way valve)



Call us on 01908 271155 or visit www.aeon.uk.com



CAT LADDER

Cat-like grace. This purr-fectly designed towel rail climbs the wall with effortless style, while radiating enough heat to keep the fussiest feline warm and content.

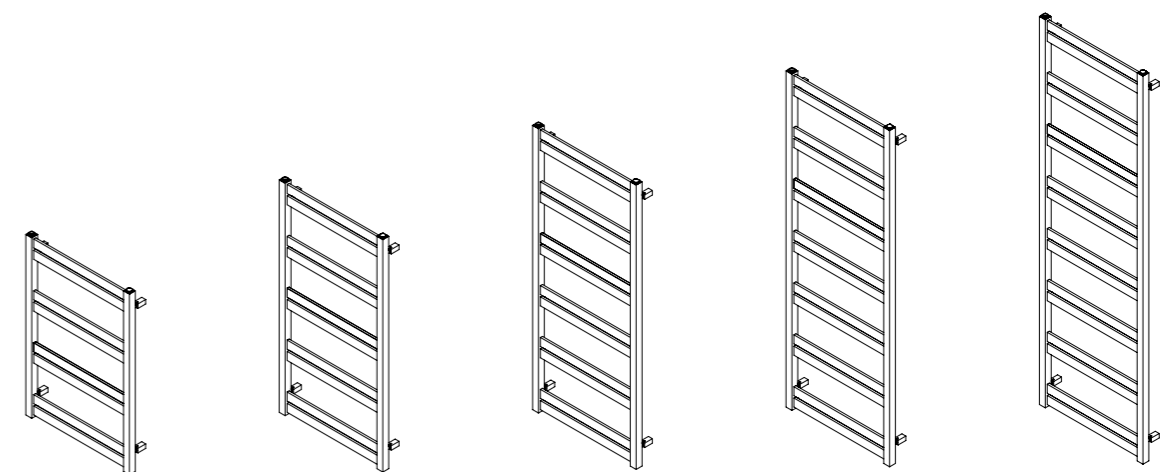
T Model shown on opposite page and above right: CLA510-10P (polished)

CAT LADDER

SS MATERIAL
 10 WORKING PRESSURE
 120°C WORKING TEMP.
 O C OPEN/CLOSED SYSTEM
 V MOUNT POSITION
 20 YEARS WARRANTY

Product Name	Height (mm)	Length (mm)	Depth (mm)	Fuel Options (E/H/D)	Towel Gaps	Pipes or Sections	Heat Output (BTU/w) ΔT 50		E: Electric only Choice of Elements (Watts)		Finish S: Brushed Matt P: Polished
CLA508-8	800	530	30	E/H/D	3	8	946	277	300	400	S, P
CLA510-10	1030	530	30	E/H/D	4	10	1185	347	400	600	S, P
CLA513-12	1260	530	30	E/H/D	5	12	1421	416	400	600	S, P
CLA515-14	1490	530	30	E/H/D	6	14	1657	485	600	900	S, P
CLA517-16	1720	530	30	E/H/D	7	16	1892	554	900	900	S, P

We recommend the 3 Bar Safety Valve for all ELECTRIC ONLY (E) products. Dual Fuel is possible either by use of "T" piece and radiator valve or by use of ONE850 or ONE851 (4 way valve)



Call us on 01908 271155 or visit www.aeon.uk.com



CENGIZ

Strong. Dependable. The masculine lines of this powerful design will make your bathroom stand out from the crowd at the same time as keeping away the chill.

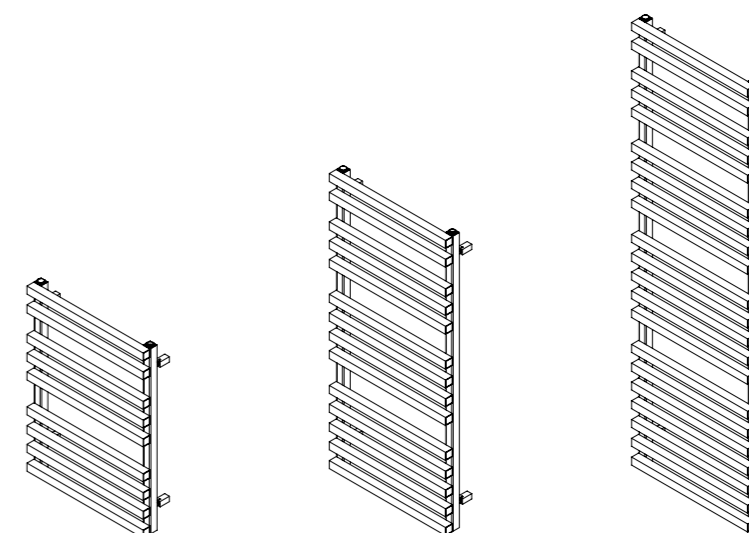
T Model shown on opposite page: CEN5C11-S (brushed matt)

CENGIZ

SS MATERIAL
10 WORKING PRESSURE
120°C WORKING TEMP.
O C OPEN/CLOSED SYSTEM
V MOUNT POSITION
20 YEARS WARRANTY

Product Name	Height (mm)	Length (mm)	Depth (mm)	Fuel Options (E/H/D)	Towel Gaps	Pipes or Sections	Heat Output (BTU/w) ΔT 50		E: Electric only Choice of Elements (Watts)		Finish S: Brushed Matt P: Polished
							876	257	300	400	
CEN5C7	690	500	60	E/H/D	2	9	876	257	300	400	S, P
CEN5C11	1100	500	60	E/H/D	3	14	1323	388	400	600	S, P
CEN5C17	1650	500	60	E/H/D	4	21	1985	582	900	900	S, P

We recommend the 3 Bar Safety Valve for all ELECTRIC ONLY (E) products. Dual Fuel is possible either by use of "T" piece and radiator valve or by use of ONE850 or ONE851 (4 way valve)



Call us on 01908 271155 or visit www.aeon.uk.com

CRAFTSMANSHIP: DEDICATION AND EXPERTISE

We are pioneers and international market leaders in design and manufacturing of stainless steel designer radiators. All our products are hand-made in the workshop by our elite team of 68 skilled craftsmen, welders, polishers, finishers and carpenters. All take great pride in their job.

Our philosophy is a fanatical adherence to quality and attention to detail. Radiators don't all have to look alike. We deliver something truly special and unique.



CAPPADOCIA

Focus on fun. Home heating brought to a new level; this stylish towel rail revels in its confident curves and slender proportions, complementing the contours of rounded basins and baths.

I Model shown: CAP905-S (brushed matt)

CAPPADOCIA

SS MATERIAL
10 WORKING PRESSURE
120°C WORKING TEMP.
O C OPEN/CLOSED SYSTEM
V MOUNT POSITION
20 YEARS WARRANTY

Product Name	Height (mm)	Length (mm)	Depth (mm)	Fuel Options (E/H/D)	Towel Gaps	Pipes or Sections	Heat Output (BTU/w) ΔT 50		E: Electric only Choice of Elements (Watts)		Finish
							900	264	H: Central Heating Only	S: Brushed Matt P: Polished	
CAP905	900	500	130	H	3	12	900	264	H: Central Heating Only		S, P

PETIT

Small is beautiful. This attractively proportioned towel rail can grace the most bijoux of bathrooms and comes with an impressive heat output.

I Model shown: PET46-S (brushed matt)



PETIT

SS MATERIAL
10 WORKING PRESSURE
120°C WORKING TEMP.
O C OPEN/CLOSED SYSTEM
V MOUNT POSITION
20 YEARS WARRANTY

Product Name	Height (mm)	Length (mm)	Depth (mm)	Fuel Options (E/H/D)	Towel Gaps	Pipes or Sections	Heat Output (BTU/w) ΔT 50		E: Electric only Choice of Elements (Watts)		Finish
							716	210	90	150	S: Brushed Matt P: Polished
PETS46	420	600	50	E/H/D	3	8	716	210	90	150	S, P

We recommend the 3 Bar Safety Valve for all ELECTRIC ONLY (E) products. Dual Fuel is possible either by use of "T" piece and radiator valve or by use of ONE850 or ONE851 (4 way valve)



PANACEA BATH

The perfect bathroom accessory. This chic, louvre-style towel rail will keep the room toasty while you bathe and give you something lovely to look at while you are getting dressed afterwards.

T Model shown on opposite page: PANB1208-S (brushed matt)

PANACEA BATH

SS MATERIAL
8 WORKING PRESSURE
120°C WORKING TEMP.
O C OPEN/CLOSED SYSTEM
V MOUNT POSITION
20 YEARS WARRANTY

Product Name	Height (mm)	Length (mm)	Depth (mm)	Fuel Options (E/H/D)	Towel Gaps	Pipes or Sections	Heat Output (BTU/w) ΔT 50		E: Electric only Choice of Elements (Watts)		Finish S: Brushed Matt P: Polished
PANB704	660	400	75	E/H/D	1	11	1104	323	300		S, P
PANB1004	985	400	75	E/H/D	2	16	1596	467	300		S, P
PANB1204	1175	400	75	E/H/D	3	18	1813	531	400		S, P
PANB1504	1500	400	75	E/H/D	4	22	2229	653	400		S, P
PANB1704	1680	400	75	E/H/D	4	26	2594	759	400		S, P
PANB705	660	500	75	E/H/D	1	11	1298	380	400		S, P
PANB1005	985	500	75	E/H/D	2	16	1878	550	400		S, P
PANB1205	1175	500	75	E/H/D	3	18	2131	624	400		S, P
PANB1505	1500	500	75	E/H/D	4	22	2617	766	600		S, P
PANB1705	1680	500	75	E/H/D	4	26	3053	894	600		S, P
PANB706	660	600	75	E/H/D	1	11	1493	437	400	600	S, P
PANB1006	985	600	75	E/H/D	2	16	2161	633	400	600	S, P
PANB1206	1175	600	75	E/H/D	3	18	2449	717	600		S, P
PANB1506	1500	600	75	E/H/D	4	22	3006	880	600	900	S, P
PANB1706	1680	600	75	E/H/D	4	26	3512	1028	600	900	S, P
PANB708	660	800	75	E/H/D	1	11	1881	551	400		S, P
PANB1008	985	800	75	E/H/D	2	16	2726	798	400		S, P
PANB1208	1175	800	75	E/H/D	3	18	3085	903	600		S, P
PANB1508	1500	800	75	E/H/D	4	22	3783	1108	600	900	S, P
PANB1708	1680	800	75	E/H/D	4	26	4431	1297	600	900	S, P

We recommend the 3 Bar Safety Valve for all ELECTRIC ONLY (E) products. Dual Fuel is possible either by use of "T" piece and radiator valve or by use of ONE850 or ONE851 (4 way valve)



COMBE

Asymmetry at its best. This unusual design can be hung right or left-handed. It comes in three heights with a choice of brushed or polished steel finishes. The decision is yours.

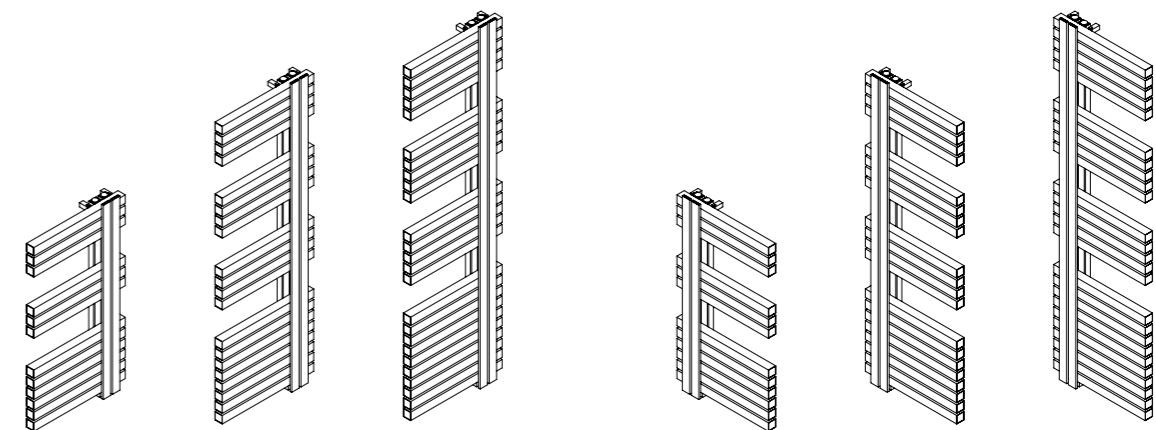
i Model shown on opposite page: COM15-L-S (brushed matt)

COMBE

SS MATERIAL
 10 WORKING PRESSURE
 120°C WORKING TEMP.
 O C OPEN/CLOSED SYSTEM
 V MOUNT POSITION
 20 YEARS WARRANTY

Product Name	Height (mm)	Length (mm)	Depth (mm)	Fuel Options (E/H/D)	Towel Gaps	Pipes or Sections	Heat Output (BTU/w) ΔT 50		E: Electric only Choice of Elements (Watts)		Finish S: Brushed Matt P: Polished
COM10-R	920	500	80	E/H/D	2	12	3197	936	400	600	S, P
COM10-L	920	500	80	E/H/D	2	12	3197	936	400	600	S, P
COM15-R	1460	500	80	E/H/D	3	20	5328	1560	600	900	S, P
COM15-L	1460	500	80	E/H/D	3	20	5328	1560	600	900	S, P
COM18-R	1710	500	80	E/H/D	4	25	6660	1950	600	900	S, P
COM18-L	1710	500	80	E/H/D	4	25	6660	1950	600	900	S, P

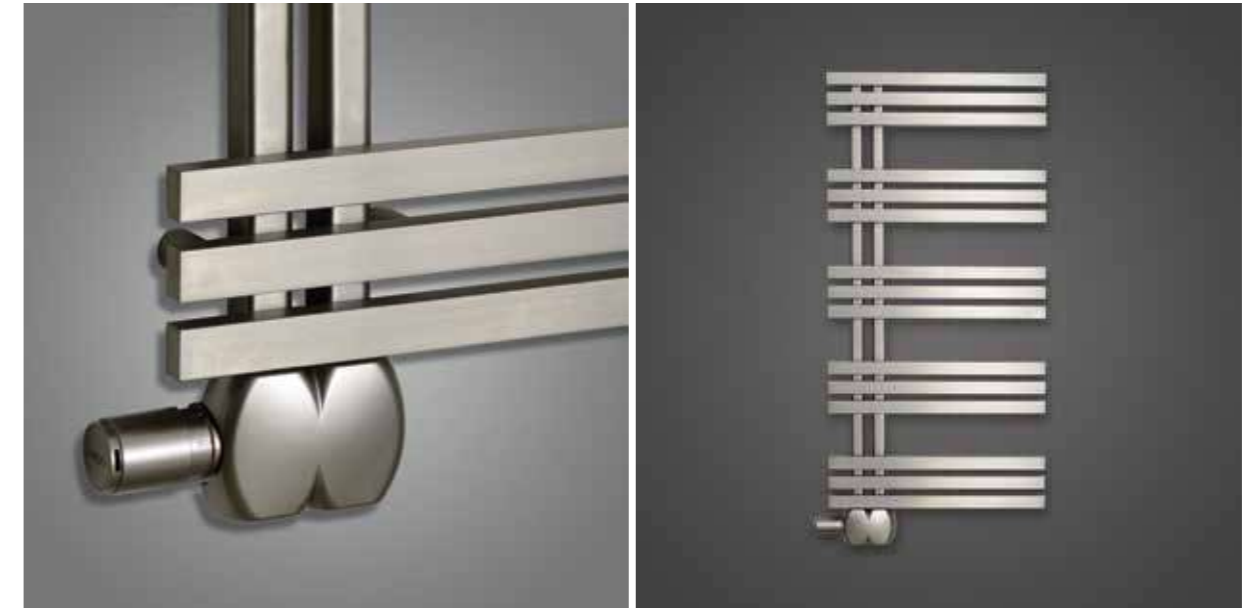
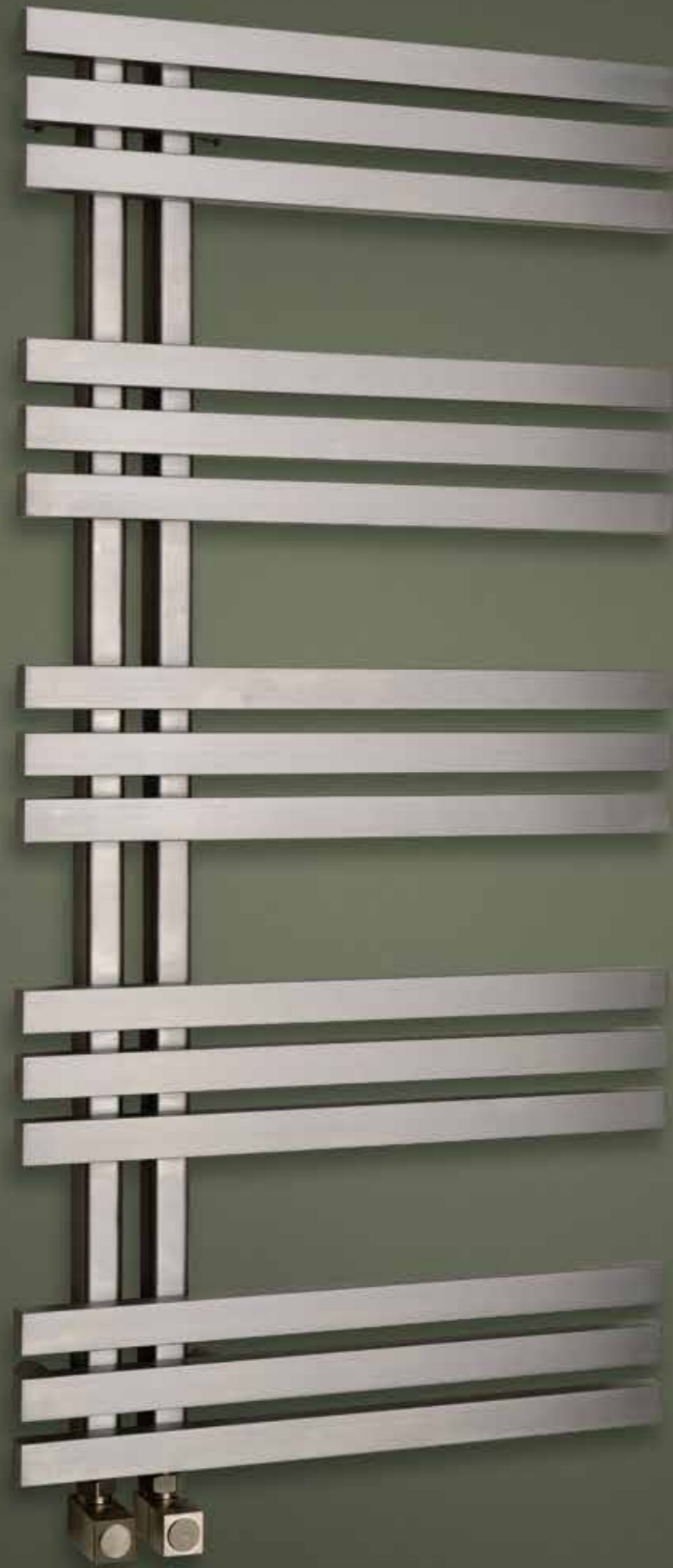
We recommend the 3 Bar Safety Valve for all ELECTRIC ONLY (E) products. Dual Fuel is possible either by use of "T" piece and radiator valve or by use of ONE850 or ONE851 (4 way valve)



L: Left-handed

R: Right-handed

Call us on 01908 271155 or visit www.aeon.uk.com



TEMPEST

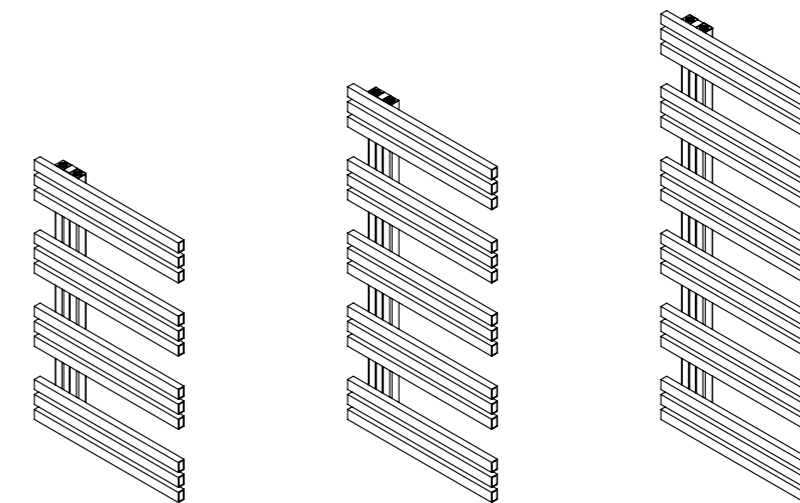
Bringing order to the chaos. Reassuringly strong, smooth steel bars in triplicate add serenity to any bathroom. Discover for yourself the compelling allure of the calm before the storm.

T Model shown: TMP105-S (brushed matt)

TEMPEST

SS MATERIAL
 10 WORKING PRESSURE
 120°C WORKING TEMP.
 O OPEN/CLOSED SYSTEM
 C MOUNT POSITION
 V **20 YEARS** WARRANTY

Product Name	Height (mm)	Length (mm)	Depth (mm)	Fuel Options (E/H/D)	Towel Gaps	Pipes or Sections	Heat Output (BTU/w) ΔT 50		E: Electric only Choice of Elements (Watts)		Finish
											S: Brushed Matt P: Polished
TMP805	780	500	60	E/H/D	3	12	1441	422	150	300	S, P
TMP105	1000	500	60	E/H/D	4	15	1810	530	300	400	S, P
TMP125	1220	500	60	E/H/D	5	18	2183	639	400	600	S, P





TUBO

Quirky isn't the word. The fun combination of wide tubular rows connected to two slim columns is sure to please, and is versatile enough to suit any style of bathroom.

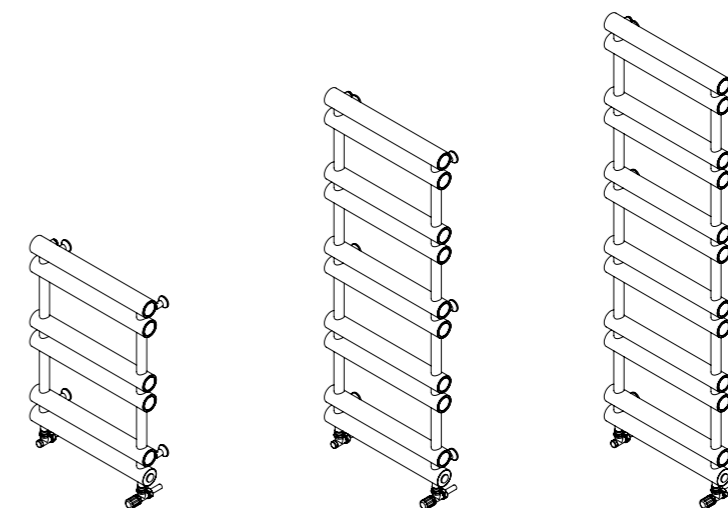
I Model shown on opposite page: TUB508-S (brushed matt) Above Left: TUB506-P (polished)

TUBO

SS MATERIAL
 10 WORKING PRESSURE
 120°C WORKING TEMP.
 O C OPEN/CLOSED SYSTEM
 V MOUNT POSITION
 20 YEARS WARRANTY

Product Name	Height (mm)	Length (mm)	Depth (mm)	Fuel Options (E/H/D)	Towel Gaps	Pipes or Sections	Heat Output (BTU/w) ΔT 50		E: Electric only	Finish S: Brushed Matt P: Polished
									Choice of Elements (Watts)	
TUB506	705	500	60	E/H/D	2	12	1496	438	300	S, P
TUB508	990	500	60	E/H/D	3	16	1994	584	400	S, P
TUB510	1275	500	60	E/H/D	4	20	2493	730	400	S, P
TUB512	1560	500	60	E/H/D	5	24	2992	876	2x340	S, P

We recommend the 3 Bar Safety Valve for all ELECTRIC ONLY (E) products. Dual Fuel is possible either by use of "T" piece and radiator valve or by use of ONE850 or ONE851 (4 way valve)



Call us on 01908 271155 or visit www.aeon.uk.com



TUDOR

Quality fit for a King. This towel rail looks simple, but it has been carefully designed for maximum heating performance and capacity. Just don't lose your head deciding where to put it.

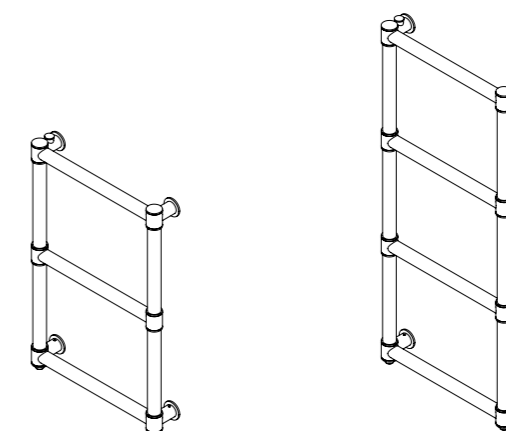
T Model shown on opposite page: TDR412-P (polished)

TUDOR

SS MATERIAL
 10 WORKING PRESSURE
 120°C WORKING TEMP.
 O C OPEN/CLOSED SYSTEM
 V MOUNT POSITION
 20 YEARS WARRANTY

Product Name	Height (mm)	Length (mm)	Depth (mm)	Fuel Options (E/H/D)	Towel Gaps	Pipes or Sections	Heat Output (BTU/w) ΔT 50		E: Electric only Choice of Elements (Watts)		Finish S: Brushed Matt P: Polished
TDR408	800	420	100	E/H/D	2	3	642	188	400		S, P
TDR412	1200	420	100	E/H/D	3	4	857	251	600		S, P
TDR508	800	520	100	E/H/D	2	3	693	203	400		S, P
TDR512	1200	520	100	E/H/D	3	4	926	271	400	600	S, P
TDR608	800	620	100	E/H/D	2	3	748	219	400	600	S, P
TDR612	1200	620	100	E/H/D	3	4	1001	293	400	600	S, P

We recommend the 3 Bar Safety Valve for all ELECTRIC ONLY (E) products. Dual Fuel is possible either by use of "T" piece and radiator valve or by use of ONE850 or ONE851 (4 way valve)



Call us on 01908 271155 or visit www.aeon.uk.com



WINDSOR

It's all about the detail in this exquisitely finished towel rail. And you don't have to be royalty to appreciate the warm, fluffy towels it produces at your merest command.

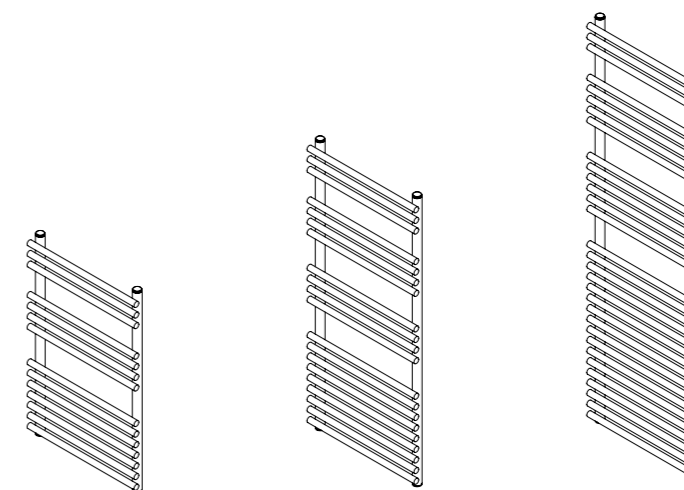
T Model shown on opposite page: WINSW11-S (brushed matt) Above Left: WINSW16-S (brushed matt)

WINDSOR

SS MATERIAL
 8 WORKING PRESSURE
 120°C WORKING TEMP.
 O C OPEN/CLOSED SYSTEM
 V MOUNT POSITION
 20 YEARS WARRANTY

Product Name	Height (mm)	Length (mm)	Depth (mm)	Fuel Options (E/H/D)	Towel Gaps	Pipes or Sections	Heat Output (BTU/w) ΔT 50		E: Electric only Choice of Elements (Watts)		Finish S: Brushed Matt P: Polished
WINSW8	798	493	50	E/H/D	2	14	1288	377	300	400	S, P
WINSW11	1150	493	50	E/H/D	3	20	1837	538	400		S, P
WINSW16	1612	493	50	E/H/D	4	31	2705	792	400	600	S, P
WINEC (pair)											S, P

We recommend the 3 Bar Safety Valve for all ELECTRIC ONLY (E) products. Dual Fuel is possible either by use of "T" piece and radiator valve or by use of ONE850 or ONE851 (4 way valve)



Call us on 01908 271155 or visit www.aeon.uk.com



CLIPPER

Cutting-edge drama inspired by the barber's tool. Unique Twister technology produces alternating polished and brushed steel surfaces, while tapered ends double up as coat or towel hooks.

Model shown on opposite page: CL1509

CLIPPER

SS MATERIAL
10 WORKING PRESSURE
120°C WORKING TEMP.
O C OPEN/CLOSED SYSTEM
V MOUNT POSITION
20 YEARS WARRANTY

Product Name	Height (mm)	Length (mm)	Depth (mm)	Fuel Options (E/H/D)	Towel Gaps	Pipes or Sections	Heat Output (BTU/w) ΔT 50		E: Electric only Choice of Elements (Watts)		Finish S: Brushed Matt P: Polished
CL1505	1500	220	130	H	5	5	1728	506	H: Central Heating Only		Bi-Finish
CL1507	1500	310	130	E/H/D	7	7	2418	708	340	400	Bi-Finish
CL1509	1500	400	130	E/H/D	9	9	3118	913	340	400	Bi-Finish

We recommend the 3 Bar Safety Valve for all ELECTRIC ONLY (E) products. Dual Fuel is possible either by use of "T" piece and radiator valve or by use of ONE850 or ONE851 (4 way valve)





GRANDEUR

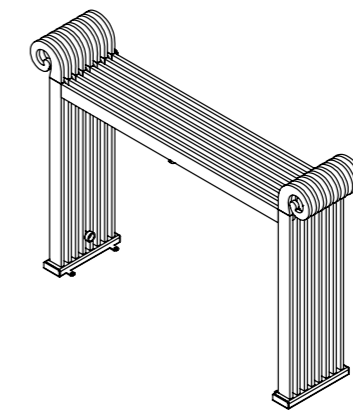
Perfect for an entrance hall or bathroom. Scrolled arms evoke the timeless beauty of the Renaissance period, resulting in a modern design with a classic twist.

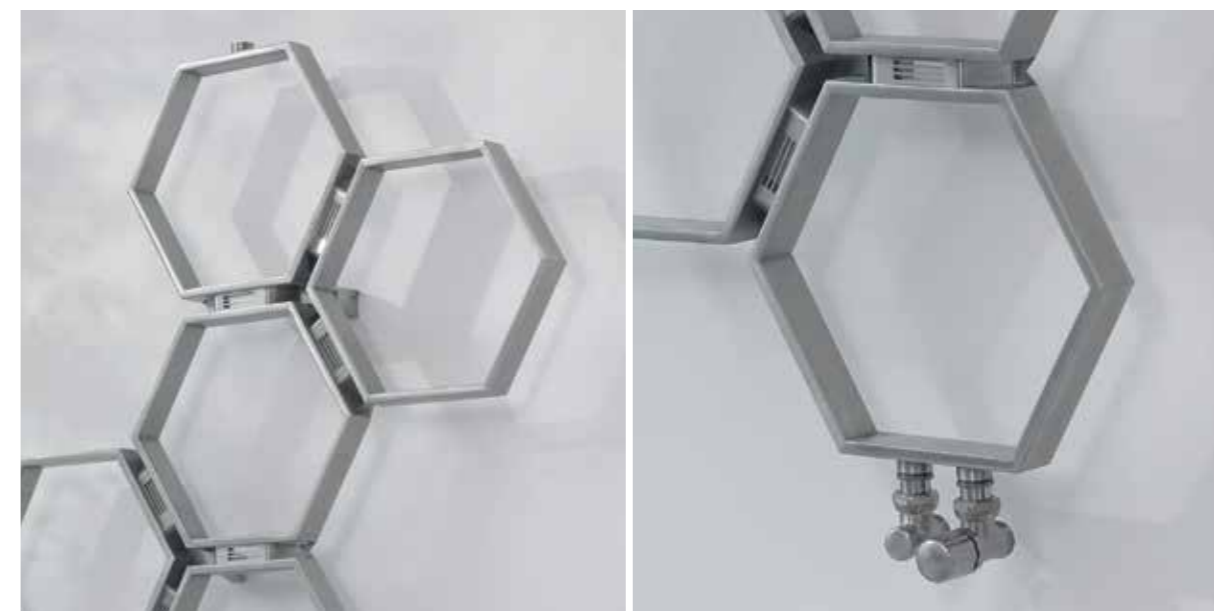
Model shown on opposite page: GRA146-S (brushed matt)

GRANDEUR

SS MATERIAL
 10 WORKING PRESSURE
 120°C WORKING TEMP.
 O C OPEN/CLOSED SYSTEM
 FS MOUNT POSITION
 20 YEARS WARRANTY

Product Name	Height (mm)	Length (mm)	Depth (mm)	Fuel Options (E/H/D)	Pipes or Sections	Heat Output (BTU/w) ΔT 50		E: Electric only	Finish
								Choice of Elements (Watts)	S: Brushed Matt P: Polished
GRA106	660	965	210	H	26	4317	1264	H: Central Heating Only	S, P
GRA126	660	1215	210	H	26	4977	1457	H: Central Heating Only	S, P
GRA146	660	1415	210	H	26	5506	1612	H: Central Heating Only	S, P
GRA176	660	1715	210	H	26	6302	1845	H: Central Heating Only	S, P
GRA206	660	2030	210	H	26	7135	2089	H: Central Heating Only	S, P





HONEYCOMB

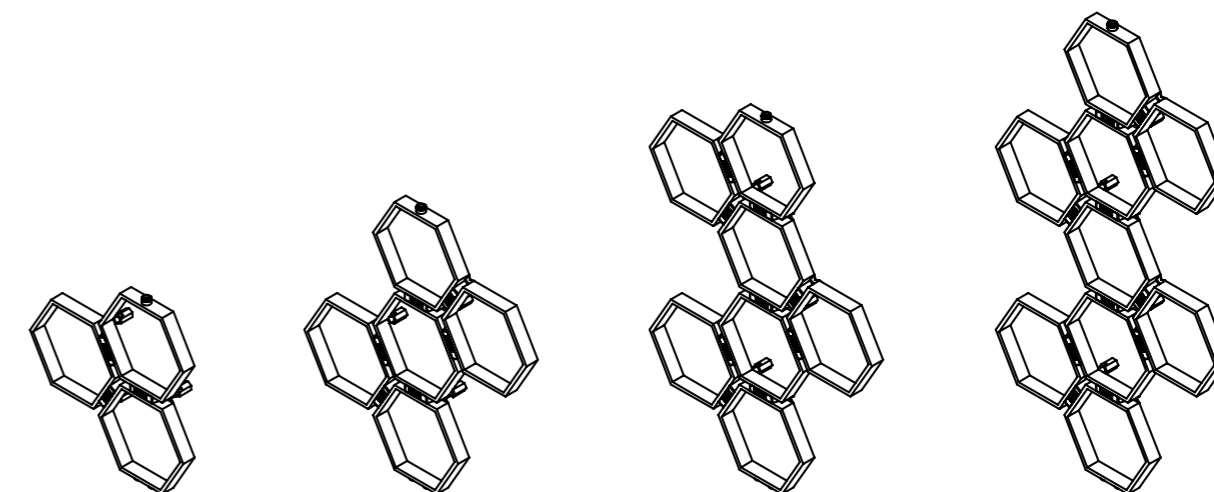
Create a buzz. This hexagonal design evokes a cheerful, fun-loving mood, bringing the wonderful world of nature indoors. Add customised glass or stone inserts for a truly organic feel.

Ti Model shown on opposite page: HON9-S (brushed matt)

HONEYCOMB

SS MATERIAL
8 WORKING PRESSURE
120°C WORKING TEMP.
O C OPEN/CLOSED SYSTEM
V MOUNT POSITION
20 YEARS WARRANTY

Product Name	Height (mm)	Length (mm)	Depth (mm)	Fuel Options (E/H/D)	Towel Gaps	Pipes or Sections	Heat Output (BTU/w) ΔT 50		E: Electric only	Finish
							Choice of Elements (Watts)	S: Brushed Matt P: Polished		
HON3	580	550	40	H	3	18	666	195	H: Central Heating Only	S, P
HON5	840	785	40	H	5	30	1110	325	H: Central Heating Only	S, P
HON7	1120	785	40	H	7	42	1554	455	H: Central Heating Only	S, P
HON9	1400	785	40	H	9	63	1998	585	H: Central Heating Only	S, P



STAINLESS STEEL: FLAWLESS FINISH

Why choose stainless steel for domestic heating systems? Because its properties are ideal for creating long-lasting, highly effective, beautiful radiators and heated towel rails. Why choose AEON's stainless steel? Because we make sure we use top quality grades that ensure the longest life possible for our range of products.

Invented in Sheffield, England in the early 20th century, stainless steel is non-corrosive, easily maintained, hygienic and versatile. It is strong and durable, thus resisting peeling, flaking and discolouration. The inevitable minor scratches, dirt and marks that come with day-to-day living are easily eliminated with the AEON Care Pack. What's more, stainless steel is always fashionable, with its contemporary, sleek appearance and sensuous feel.



ZENITH

This tactile towel rail may give you ideas above your station as it gently warms your towels to keep out the cold. Simply designed; superbly engineered.

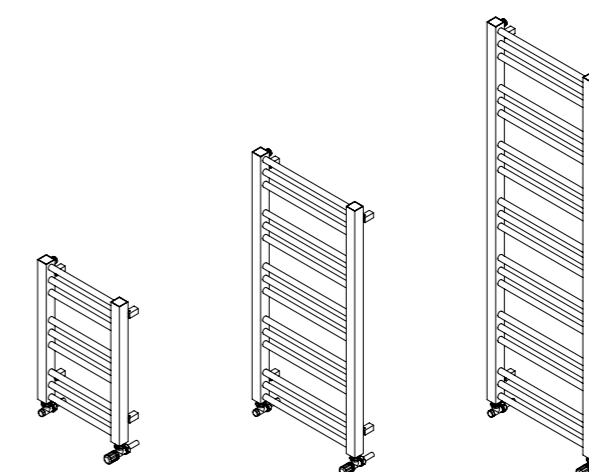
i Model shown: ZEN105-S (brushed matt)

ZENITH

SS MATERIAL
 10 WORKING PRESSURE
 120°C WORKING TEMP.
 O C OPEN/CLOSED SYSTEM
 V MOUNT POSITION
 20 YEARS WARRANTY

Product Name	Height (mm)	Length (mm)	Depth (mm)	Fuel Options (E/H/D)	Towel Gaps	Pipes or Sections	Heat Output (BTU/w) ΔT 50		E: Electric only Choice of Elements (Watts)		Finish
											S: Brushed Matt P: Polished
ZEN64	560	380	40	E/H/D	2	9	502	147	90	150	S, P
ZEN104	1000	380	40	E/H/D	4	15	837	245	150	300	S, P
ZEN124	1200	380	40	E/H/D	4	18	1004	294	300	400	S, P
ZEN154	1500	380	40	E/H/D	5	21	1171	343	300	400	S, P
ZEN65	560	480	40	E/H/D	2	9	611	179	150	300	S, P
ZEN105	1000	480	40	E/H/D	4	15	1018	298	300	400	S, P
ZEN125	1200	480	40	E/H/D	4	18	1223	358	300	400	S, P
ZEN155	1500	480	40	E/H/D	5	21	1424	417	400	600	S, P

We recommend the 3 Bar Safety Valve for all ELECTRIC ONLY (E) products. Dual Fuel is possible either by use of "T" piece and radiator valve or by use of ONE850 or ONE851 (4 way valve)



Call us on 01908 271155 or visit www.aeon.uk.com



MAZE

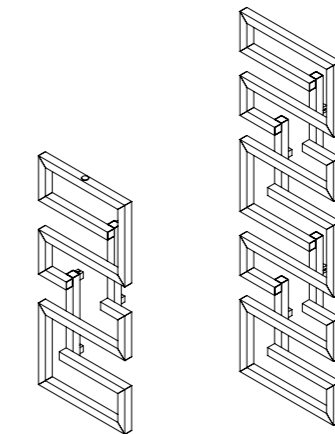
Maze takes the current trend for square profile stainless steel heating bars to a new dimension with its abstract, geometric pattern that complements the clean lines of contemporary interiors.

T Model shown on opposite page: MAZ1855-S (brushed matt)

MAZE

SS MATERIAL
 8 WORKING PRESSURE
 120°C WORKING TEMP.
 O C OPEN/CLOSED SYSTEM
 V MOUNT POSITION
 20 YEARS WARRANTY

Product Name	Height (mm)	Length (mm)	Depth (mm)	Fuel Options (E/H/D)	Heat Output (BTU/w) ΔT 50		E: Electric only Choice of Elements (Watts)	Finish S: Brushed Matt P: Polished
							H: Central Heating Only	S, P
MAZ1250	1150	500	80	H	1069	313	H: Central Heating Only	S, P
MAZ1855	1800	540	80	H	2114	619	H: Central Heating Only	S, P





S-TYPE

More than meets the eye. Not only can this fabulous design hang vertically or horizontally to heat your bathroom, it is also a highly practical towel rail and airing shelf.

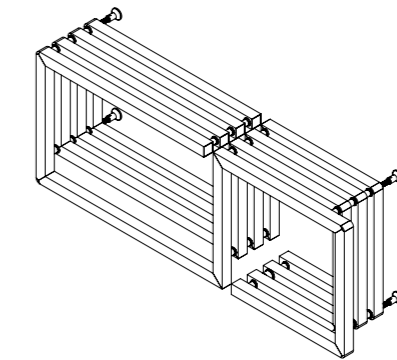
T Model shown: STY100-S (brushed matt)

S-TYPE

SS MATERIAL
10 WORKING PRESSURE
120°C WORKING TEMP.
O C OPEN/CLOSED SYSTEM
V MOUNT POSITION
20 YEARS WARRANTY

Product Name	Height (mm)	Length (mm)	Depth (mm)	Fuel Options (E/H/D)	Towel Gaps	Pipes or Sections	Heat Output (BTU/w) ΔT 50		E: Electric only	Finish S: Brushed Matt P: Polished
									Choice of Elements (Watts)	
STY100	400	1000	250	E/H	4	28	3093	907	600	S, P
STY130	500	1350	250	E/H/D	4	28	3819	1120	900	S, P

We recommend the 3 Bar Safety Valve for all ELECTRIC ONLY (E) products. Dual Fuel is possible either by use of "T" piece and radiator valve or by use of ONE850 or ONE851 (4 way valve)





BOSPORUS

A new take on ladder-style heating. Airing shelf offers maximum convenience, while the bold design ensures a strong visual impact. Best of both worlds.

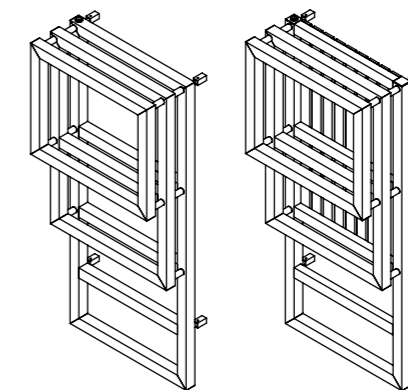
i Models shown on opposite page: and above right: BOS125-S (brushed matt) Above Left: BOS125-S (brushed matt)

BOSPORUS

Product Name	Height (mm)	Length (mm)	Depth (mm)	Fuel Options (E/H/D)	Towel Gaps	Pipes or Sections	Heat Output (BTU/w) ΔT 50		E: Electric only Choice of Elements (Watts)		Finish S: Brushed Matt P: Polished
							2148	630	400	600	
BOS125	1200	530	220	E/H/D	4	15	2148	630	400	600	S, P
BOS125	1200	530	220	E/H/D	4	24	4338	1272	600	900	S, P

SS MATERIAL
10 WORKING PRESSURE
120°C WORKING TEMP.
O C OPEN/CLOSED SYSTEM
V MOUNT POSITION
20 YEARS WARRANTY

We recommend the 3 Bar Safety Valve for all ELECTRIC ONLY (E) products. Dual Fuel is possible either by use of "T" piece and radiator valve or by use of ONE850 or ONE851 (4 way valve)





BOLERO

Reminiscent of its passionate Latino namesake. Contemporary design blends bold, angular columns with curvaceous tubular bars. Perfect marriage of performance and beauty.

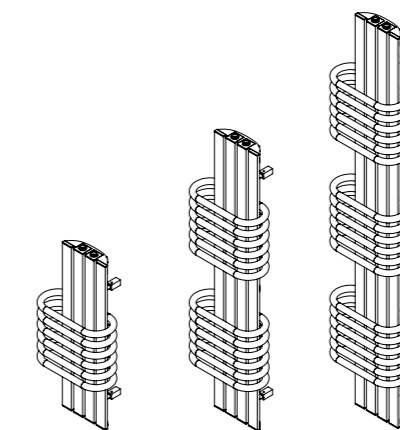
Model shown on opposite page: BOL2-S (brushed matt) Above: BOL3-S (brushed matt)

BOLERO

MATERIAL
 WORKING PRESSURE
 WORKING TEMP.
 OPEN/CLOSED SYSTEM
 MOUNT POSITION
 WARRANTY

Product Name	Height (mm)	Length (mm)	Depth (mm)	Fuel Options (E/H/D)	Towel Gaps	Pipes or Sections	Heat Output (BTU/w) ΔT 50		E: Electric only Choice of Elements (Watts)		Finish S: Brushed Matt P: Polished
							7	9	300	400	
BOL1	630	300	150	E/H/D	1	10	1794	526	300	400	S, P
BOL2	1060	300	150	E/H/D	2	16	3311	971	400	600	S, P
BOL3	1500	300	150	E/H/D	3	22	4839	1419	600	900	S, P

We recommend the 3 Bar Safety Valve for all ELECTRIC ONLY (E) products. Dual Fuel is possible either by use of "T" piece and radiator valve or by use of ONE850 or ONE851 (4 way valve)





GALLANT

Boutique chic. This elegant design offers practicality without sacrificing style. Add up to three towel rungs to ensure it meets your requirements.

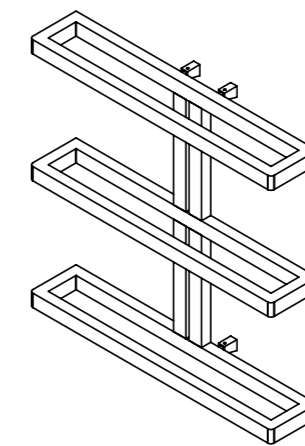
T Model shown on opposite page: GA807-S (brushed matt)

GALLANT

SS MATERIAL
10 WORKING PRESSURE
120°C WORKING TEMP.
O C OPEN/CLOSED SYSTEM
V MOUNT POSITION
20 YEARS WARRANTY

Product Name	Height (mm)	Length (mm)	Depth (mm)	Fuel Options (E/H/D)	Towel Gaps	Pipes or Sections	Heat Output (BTU/w) ΔT 50		E: Electric only Choice of Elements (Watts)		Finish S: Brushed Matt P: Polished
							2169	635	400	600	
GA807	750	780	150	E/H/D	3	17	2169	635	400	600	S, P

We recommend the 3 Bar Safety Valve for all ELECTRIC ONLY (E) products. Dual Fuel is possible either by use of "T" piece and radiator valve or by use of ONE850 or ONE851 (4 way valve)





GALLIPOLI

Timeless beauty meets Turkish bathing in this practical, high performance radiator with a choice of one, two or three integrated towel bars. Functional and fabulous.

Models shown on opposite page: GALL-3 Above left: GALL-2 Above right: GALL-1

GALLIPOLI

SS MATERIAL
 10 WORKING PRESSURE
 120°C WORKING TEMP.
 O C OPEN/CLOSED SYSTEM
 V MOUNT POSITION
 20 YEARS WARRANTY

Product Name	Height (mm)	Length (mm)	Depth (mm)	Fuel Options (E/H/D)	Towel Gaps	Pipes or Sections	Heat Output (BTU/w) ΔT 50		E: Electric only Choice of Elements (Watts)		Finish S: Brushed Matt P: Polished
							2172	636	400	600	
GALL-1	914	490	170	E/H/D	1	10	2172	636	400	600	S, P
GALL-2	1204	490	170	E/H/D	2	11	2606	763	600	900	S, P
GALL-3	1494	490	170	E/H/D	3	12	3040	890	600	900	S, P

We recommend the 3 Bar Safety Valve for all ELECTRIC ONLY (E) products. Dual Fuel is possible either by use of "T" piece and radiator valve or by use of ONE850 or ONE851 (4 way valve)





COFFER

Stunning geometric form, reminiscent of childhood mazes. Hang the polished geometric shapes vertically or horizontally for a display that heats the room and excites the eye.

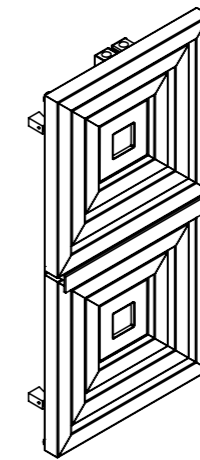
Model shown on opposite page: COF490-P (polished)

COFFER

SS MATERIAL
10 WORKING PRESSURE
120°C WORKING TEMP.
O C OPEN/CLOSED SYSTEM
V H MOUNT POSITION
20 YEARS WARRANTY

Product Name	Height (mm)	Length (mm)	Depth (mm)	Fuel Options (E/H/D)	Towel Gaps	Pipes or Sections	Heat Output (BTU/w) ΔT 50		E: Electric only Choice of Elements (Watts)		Finish S: Brushed Matt P: Polished
							2965	868	400	600	
COF490	890	440	70	E/H/D	1	32	2965	868	400	600	S, P
COF511	1090	540	70	E/H/D	1	40	4058	1188	400	600	S, P

We recommend the 3 Bar Safety Valve for all ELECTRIC ONLY (E) products. Dual Fuel is possible either by use of "T" piece and radiator valve or by use of ONE850 or ONE851 (4 way valve)



TECHNIQUES OF THE TRADE

Far more than simple heating devices, the AEON range of luxury radiators and heated towel rails has been designed and developed using state-of-the-art production techniques that combine beauty with heating efficiency and durability. For example, all our products are welded using a Tungsten Inert Gas (TIG) welding technique, which results in joints that are equally as strong as the main body of the radiator.

Another technique we are particularly proud of allows us to create stunning bars that have been twisted uniformly, creating a line of alternating brushed and polished steel surfaces. A special twisting machine allows us to manipulate stainless steel poles of almost any length and size to create a vertical or horizontal design with up to three twists per line. What a head turner.

MODEL SHOWN: TWISTER – SEE PAGE 120



F-BAR

This towel rail provides a simple way to keep towels warm while you're in the bath. Plenty of room to hang them; plenty of style to frame them beautifully.

Model shown: FBA404S

F-BAR

SS MATERIAL 10 WORKING PRESSURE 120°C WORKING TEMP. O C OPEN/CLOSED SYSTEM V MOUNT POSITION 20 YEARS WARRANTY

Product Name	Height (mm)	Length (mm)	Depth (mm)	Fuel Options (E/H/D)	Towel Gaps	Pipes or Sections	Heat Output (BTU/w) ΔT 50		E: Electric only Choice of Elements (Watts)		Finish S: Brushed Matt P: Polished
							891	261	90	150	
FBA404	440	420	250	E/H/D	3	5	891	261	90	150	S, P

We recommend the 3 Bar Safety Valve for all ELECTRIC ONLY (E) products. Dual Fuel is possible either by use of "T" piece and radiator valve or by use of ONE850 or ONE851 (4 way valve)

T-BAR

Designed with smaller spaces in mind, this functional towel rail with multiple rungs incorporates plenty of space to warm towels, while the design is pleasingly different.

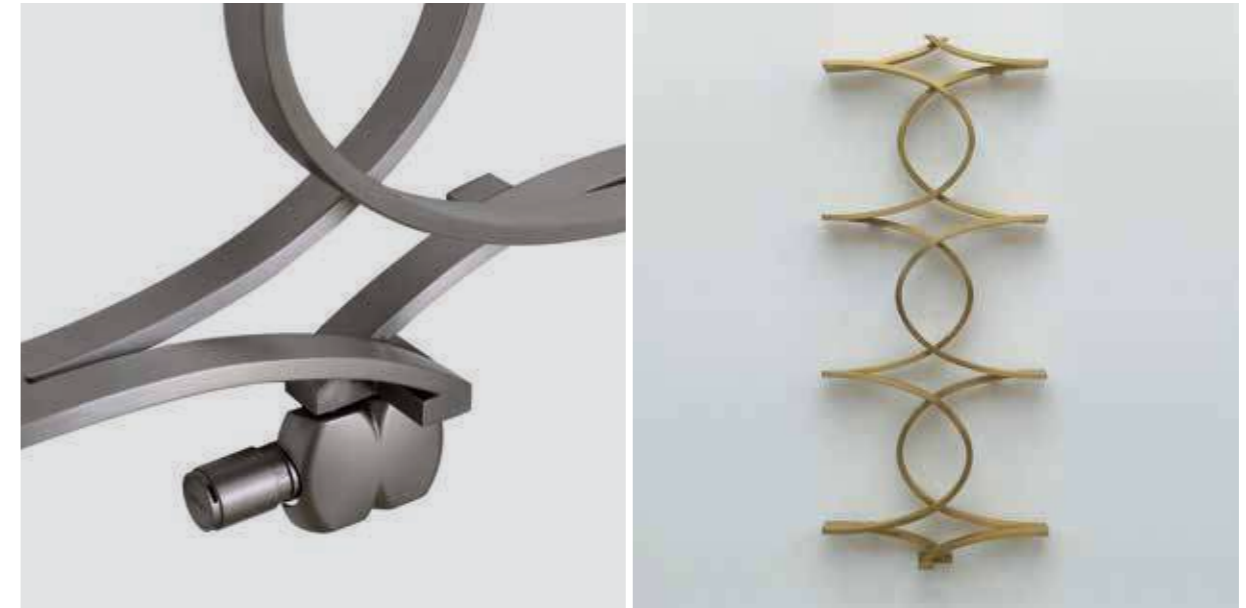
Model shown: TBA404P



T-BAR

SS MATERIAL 10 WORKING PRESSURE 120°C WORKING TEMP. O C OPEN/CLOSED SYSTEM V MOUNT POSITION 20 YEARS WARRANTY

Product Name	Height (mm)	Length (mm)	Depth (mm)	Fuel Options (E/H/D)	Towel Gaps	Pipes or Sections	Heat Output (BTU/w) ΔT 50		E: Electric only Choice of Elements (Watts)		Finish S: Brushed Matt P: Polished
							891	261	H: Central Heating Only	S, P	
TBA404	440	460	250	H	3	5	891	261	H: Central Heating Only	S, P	



TIRENDAZ

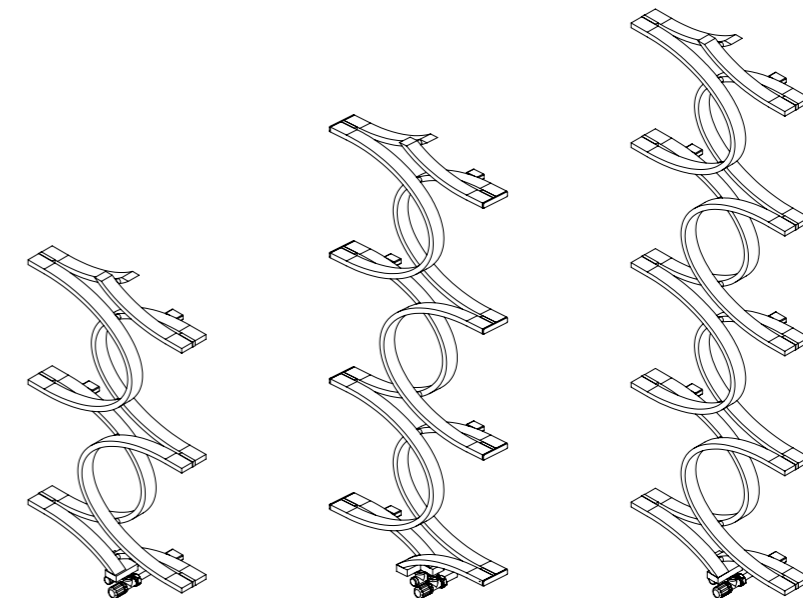
This elegant 'Turkish delight' is named after the power and accuracy of historical Ottoman archers and inspired by retro designs that show off the symmetry of the perfect curves and relaxing vibe.

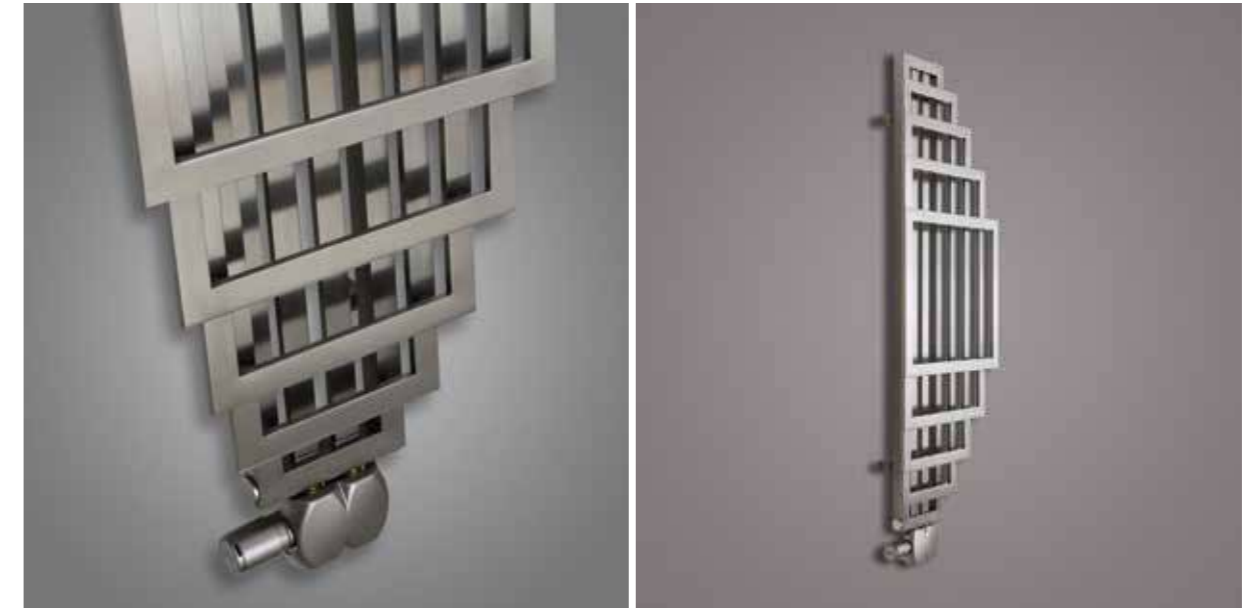
T Model shown on opposite page: TRZ613-10-S (brushed matt) Above right: TRZ613-10-G (satin gold)

TIRENDAZ

SS MATERIAL
10 WORKING PRESSURE
120°C WORKING TEMP.
O C OPEN/CLOSED SYSTEM
V MOUNT POSITION
20 YEARS WARRANTY

Product Name	Height (mm)	Length (mm)	Depth (mm)	Fuel Options (E/H/D)	Towel Gaps	Pipes or Sections	Heat Output (BTU/w) ΔT 50		E: Electric only	Finish S: Brushed Matt G: Satin Gold
									Choice of Elements (Watts)	
TRZ609-8	930	570	115	H	4	8	1134	332	H: Central Heating Only	S, G
TRZ613-10	1315	570	115	H	6	10	1506	441	H: Central Heating Only	S, G
TRZ617-12	1700	570	115	H	8	12	1899	556	H: Central Heating Only	S, G





PODIUM

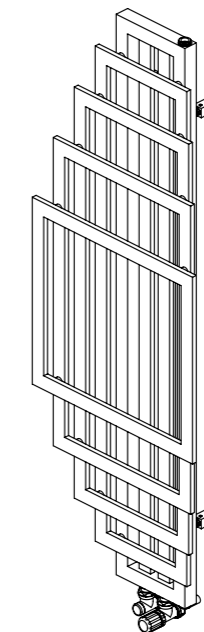
A design worthy of winning gold, silver and bronze. This unusual, yet highly pleasing combination of squares and vertical lines really draws the eye and soothes the soul.

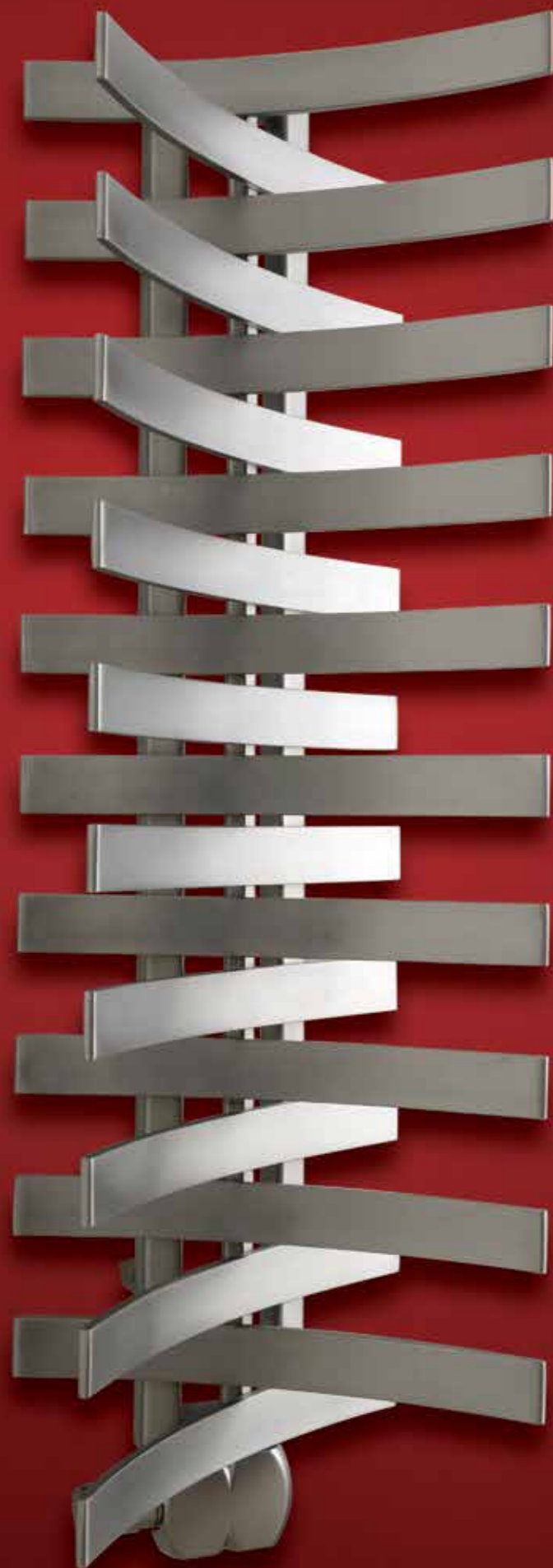
 Model shown on opposite page: POD412-S (brushed matt)

PODIUM

SS MATERIAL
 10 WORKING PRESSURE
 120°C WORKING TEMP.
 O C OPEN/CLOSED SYSTEM
 V MOUNT POSITION
 20 YEARS WARRANTY

Product Name	Height (mm)	Length (mm)	Depth (mm)	Fuel Options (E/H/D)	Towel Gaps	Pipes or Sections	Heat Output (BTU/w) ΔT 50		E: Electric only Choice of Elements (Watts)		Finish
							2288	670	300	400	S: Brushed Matt P: Polished
POD412	1200	400	130	E/H/D	8	22	2288	670	300	400	S, P





SKUALL

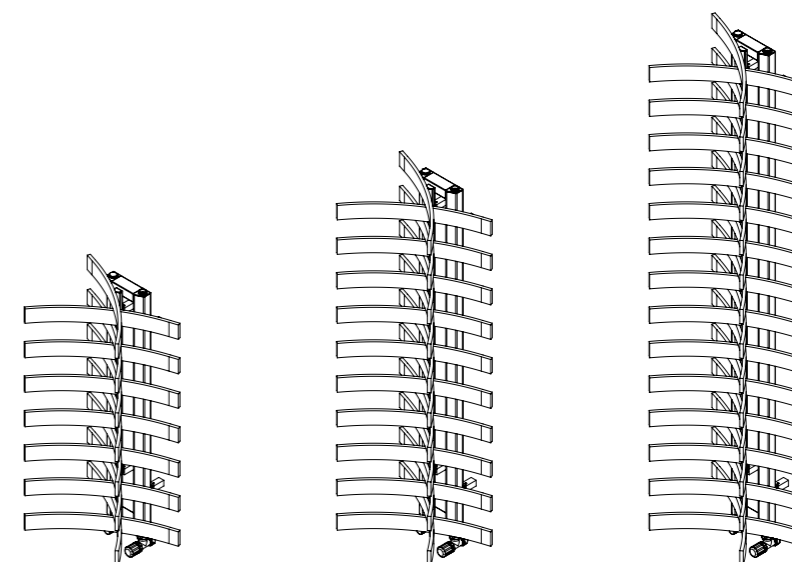
Watch as the light dances across the crossing curves of this stunning design. The perfect way to bring any bathroom to life and add a touch of class.

i Model shown on opposite page: SKL123-20-S (brushed matt)

SKUALL

SS MATERIAL
 10 WORKING PRESSURE
 120°C WORKING TEMP.
 O C OPEN/CLOSED SYSTEM
 V MOUNT POSITION
 20 YEARS WARRANTY

Product Name	Height (mm)	Length (mm)	Depth (mm)	Fuel Options (E/H/D)	Towel Gaps	Pipes or Sections	Heat Output (BTU/w) ΔT 50		E: Electric only Choice of Elements (Watts)		Finish S: Brushed Matt P: Polished
SKL083-13	770	370	260	E/H/D	12	13	1602	469	300	400	S, P
SKL123-20	1190	370	260	E/H/D	19	20	2449	717	400	600	S, P
SKL163-27	1610	370	260	E/H/D	26	27	3337	977	600	900	S, P





LABREN

Ultra modern, ultra chic. This symmetrical design is very easy on the eye. Its satin finish shimmers in the light while the radiator gives off its comforting heat.

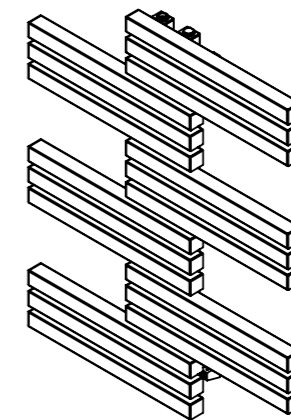
 Model shown on opposite page: LA108-S (brushed matt)

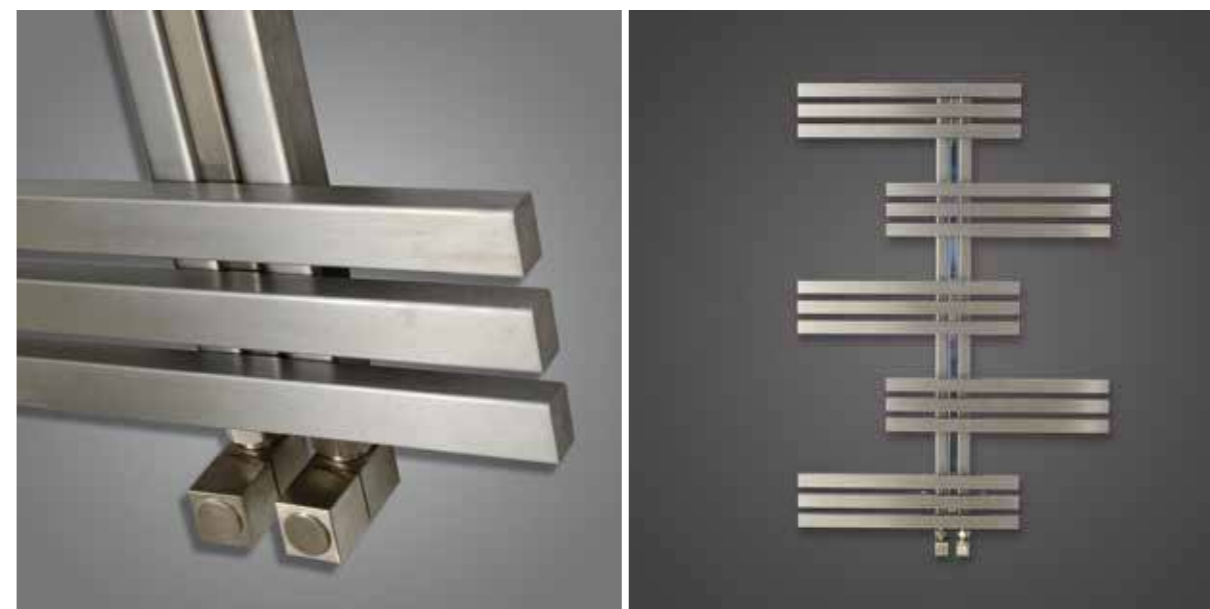
LABREN

SS MATERIAL
 10 WORKING PRESSURE
 120°C WORKING TEMP.
 O C OPEN/CLOSED SYSTEM
 V MOUNT POSITION
 20 YEARS WARRANTY

Product Name	Height (mm)	Length (mm)	Depth (mm)	Fuel Options (E/H/D)	Pipes or Sections	Heat Output (BTU/w) ΔT 50	E: Electric only		Finish S: Brushed Matt P: Polished
							Choice of Elements (Watts)		
LA108	975	800	70	E/H/D	18	4310 1262	600 900	S,P	

We recommend the 3 Bar Safety Valve for all ELECTRIC ONLY (E) products. Dual Fuel is possible either by use of "T" piece and radiator valve or by use of ONE850 or ONE851 (4 way valve)





LINX

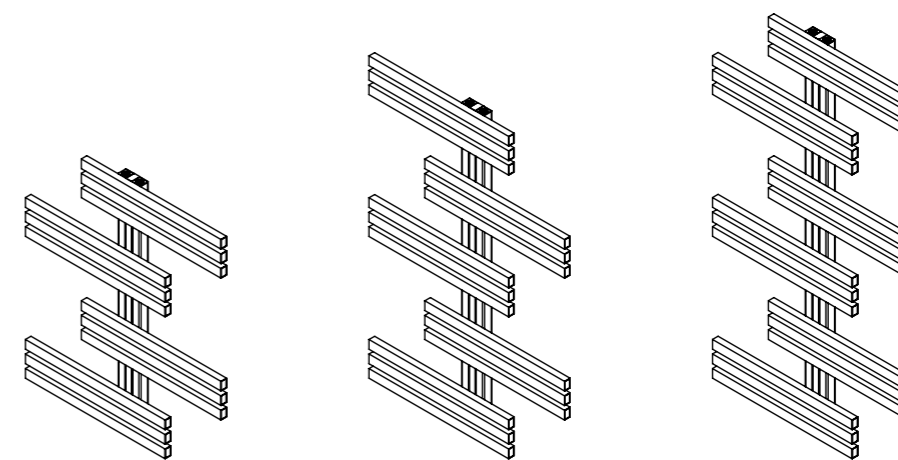
Bold and beautiful. This radiator demands your attention and keeps any room cosy and warm. It's all about the detail and this has been designed to perfection.

I Model shown on opposite page and above: LNX107-5 (brushed matt)

LINX

SS MATERIAL
 10 WORKING PRESSURE
 120°C WORKING TEMP.
 O C OPEN/CLOSED SYSTEM
 V MOUNT POSITION
 20 YEARS WARRANTY

Product Name	Height (mm)	Length (mm)	Depth (mm)	Fuel Options (E/H/D)	Towel Gaps	Pipes or Sections	Heat Output (BTU/w) ΔT 50		E: Electric only Choice of Elements (Watts)		Finish S: Brushed Matt P: Polished
LNX807	780	700	60	E/H/D	3	12	1441	422	300	400	S, P
LNX107	1000	700	60	E/H/D	4	15	1810	530	300	400	S, P
LNX127	1220	700	60	E/H/D	5	18	2183	639	400	600	S, P



HOME IS WHERE THE HEARTH IS: HUMANITY'S LONG HISTORY WITH HEAT

As our homes have developed, so have our methods of creating and controlling heat. We don't tend to use fire directly for cooking food or heating houses any more, yet nostalgia keeps the inglenook or open fireplace close to our hearts. Which just goes to show that it's not just about finding an effective heat source. It must look the part. That's where AEON's range of attractive radiators comes in.

Take a look, and prepare to take your place in heating history.



TOWER



ALIEN	86
STANZA	88
TRUVA	90
ECSTASY	92
SPEIRA	94



ALIEN

Other-worldly appeal. This bold radiator stands tall with its narrow square columns and smooth satin finish. They'll be talking about this innovative design across the galaxy and beyond.

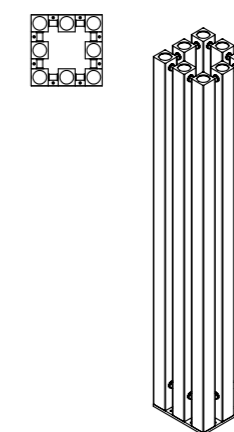
i Model shown on opposite page: AL20-S (brushed matt)

ALIEN

SS MATERIAL
6 WORKING PRESSURE
120°C WORKING TEMP.
O C OPEN/CLOSED SYSTEM
FS MOUNT POSITION
20 YEARS WARRANTY

Product Name	Height (mm)	Length (mm)	Depth (mm)	Fuel Options (E/H/D)	Pipes or Sections	Heat Output (BTU/w) ΔT 50		E: Electric only	Finish S: Brushed Matt P: Polished
						Choice of Elements (Watts)	H: Central Heating Only		
AL15	1510	250	250	H	16	8202	2401	H: Central Heating Only	S, P
AL18	1810	250	250	H	16	9430	2761	H: Central Heating Only	S, P
AL20	2010	250	250	H	16	10917	3196	H: Central Heating Only	S, P

We recommend the 3 Bar Safety Valve for all ELECTRIC ONLY (E) products. Dual Fuel is possible either by use of "T" piece and radiator valve or by use of ONE850 or ONE851 (4 way valve)





STANZA

Hitting the right notes. This trendy design is perfect for lofty spaces with its striking appearance and powerful heat delivery. The perfect way to keep warm without losing your cool.

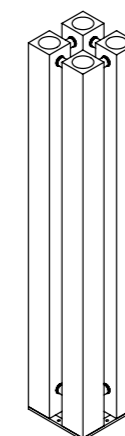
Model shown on opposite page: STA15-S (brushed matt)

STANZA

SS MATERIAL
6 WORKING PRESSURE
120°C WORKING TEMP.
O C OPEN/CLOSED SYSTEM
FS MOUNT POSITION
20 YEARS WARRANTY

Product Name	Height (mm)	Length (mm)	Depth (mm)	Fuel Options (E/H/D)	Pipes or Sections	Heat Output (BTU/w) ΔT 50		E: Electric only Choice of Elements (Watts)		Finish S: Brushed Matt P: Polished
						6662	1950	8x200		
STA15	1510	260	260	E/H/D	8	6662	1950	8x200		S, P
STA18	1810	260	260	E/H/D	8	7994	2340	8x200	8x300	S, P
STA20	2010	260	260	E/H/D	8	8883	2601	8x300	8x400	S, P

We recommend the 3 Bar Safety Valve for all ELECTRIC ONLY (E) products. Dual Fuel is possible either by use of "T" piece and radiator valve or by use of ONE850 or ONE851 (4 way valve)





TRUVA

Who can make the tallest tower? The stack of criss-cross bars makes this heated sculpture strangely reminiscent of childhood building blocks. Who says the fun must stop when we grow up?

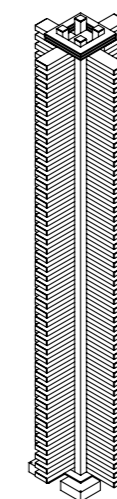
 Model shown on opposite page: TRU193-S (brushed matt)

TRUVA

SS MATERIAL
10 WORKING PRESSURE
120°C WORKING TEMP.
O C OPEN/CLOSED SYSTEM
FS MOUNT POSITION
20 YEARS WARRANTY

Product Name	Height (mm)	Length (mm)	Depth (mm)	Fuel Options (E/H/D)	Pipes or Sections	Heat Output (BTU/w) ΔT 50	E: Electric only		Finish S: Brushed Matt P: Polished
							Choice of Elements (Watts)		
TRU134	1320	400	400	E/H/D	60	7180	2102	600	S
TRU193	1960	300	300	E/H/D	92	9980	2922	900	S

We recommend the 3 Bar Safety Valve for all ELECTRIC ONLY (E) products. Dual Fuel is possible either by use of "T" piece and radiator valve or by use of ONE850 or ONE851 (4 way valve)





ECSTASY

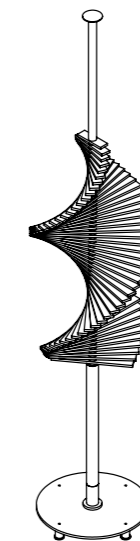
Spiralling perfection. Who would guess this ultra-modern sculpture is also a powerful heat source? This work of art will stop you in its tracks with its simplicity and brilliant technology.

 Model shown on opposite page: ECS50-S (brushed matt)

ECSTASY

Product Name	Height (mm)	Length (mm)	Depth (mm)	Fuel Options (E/H/D)	Pipes or Sections	Heat Output (BTU/w) ΔT 50	E: Electric only Choice of Elements (Watts)		Finish S: Brushed Matt P: Polished
							600	900	
ECS50	2200-3000	500	500	E	45	12358 3618	600	900	S

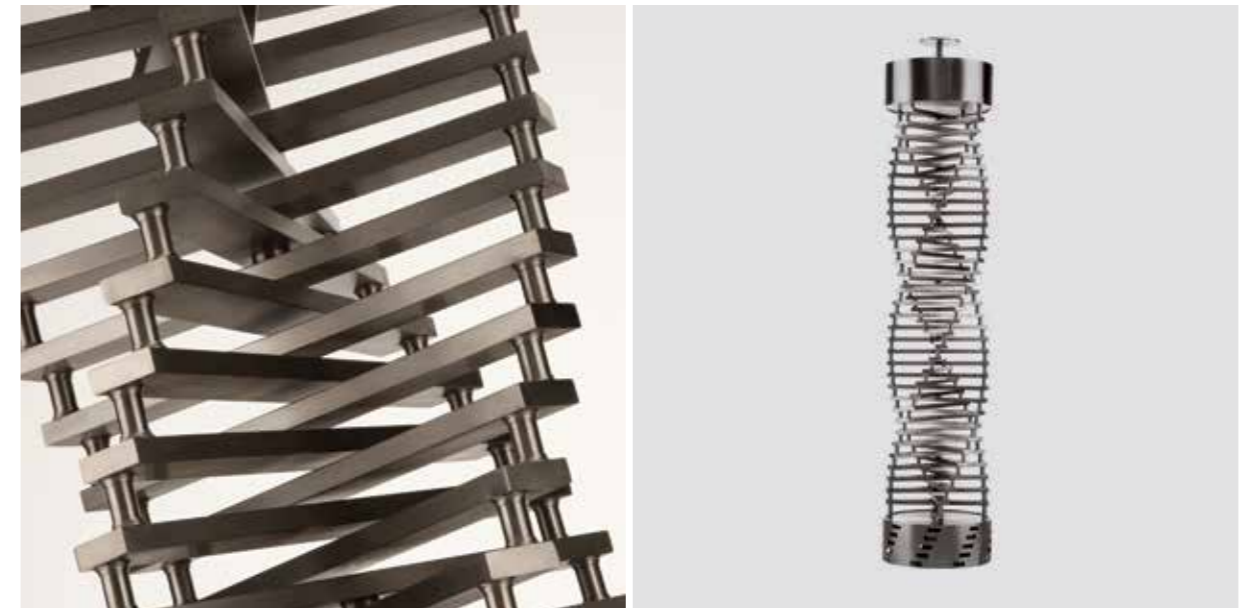
We recommend the 3 Bar Safety Valve for all ELECTRIC ONLY (E) products





AEON 94 SPEIRA

AEON 95 SPEIRA



SPEIRA

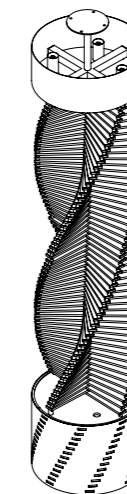
Time to turn up the heat. This stunning sculptural light and heat installation is so much more than a radiator. Its spiral glamour oozes impact, drama and class. Once seen, never forgotten.

i Model shown on opposite page: SPR120 Model shown above: SPR66

SPEIRA

SS MATERIAL
 8 WORKING PRESSURE
 120°C WORKING TEMP.
 O C OPEN/CLOSED SYSTEM
 FS MOUNT POSITION
 20 YEARS WARRANTY

Product Name	Height (mm)	Length (mm)	Depth (mm)	Fuel Options (E/H/D)	Pipes or Sections	Heat Output (BTU/w) ΔT 50	E: Electric only		Finish S: Brushed Matt P: Polished
							Choice of Elements (Watts)		
SPR120	2400 - 2750	510	510	H	120	20453	5998	H: Central Heating Only	S
SPR66	2400 - 2750	510	510	H	66	16652	4876	H: Central Heating Only	S



Call us on 01908 271155 or visit www.aeon.uk.com

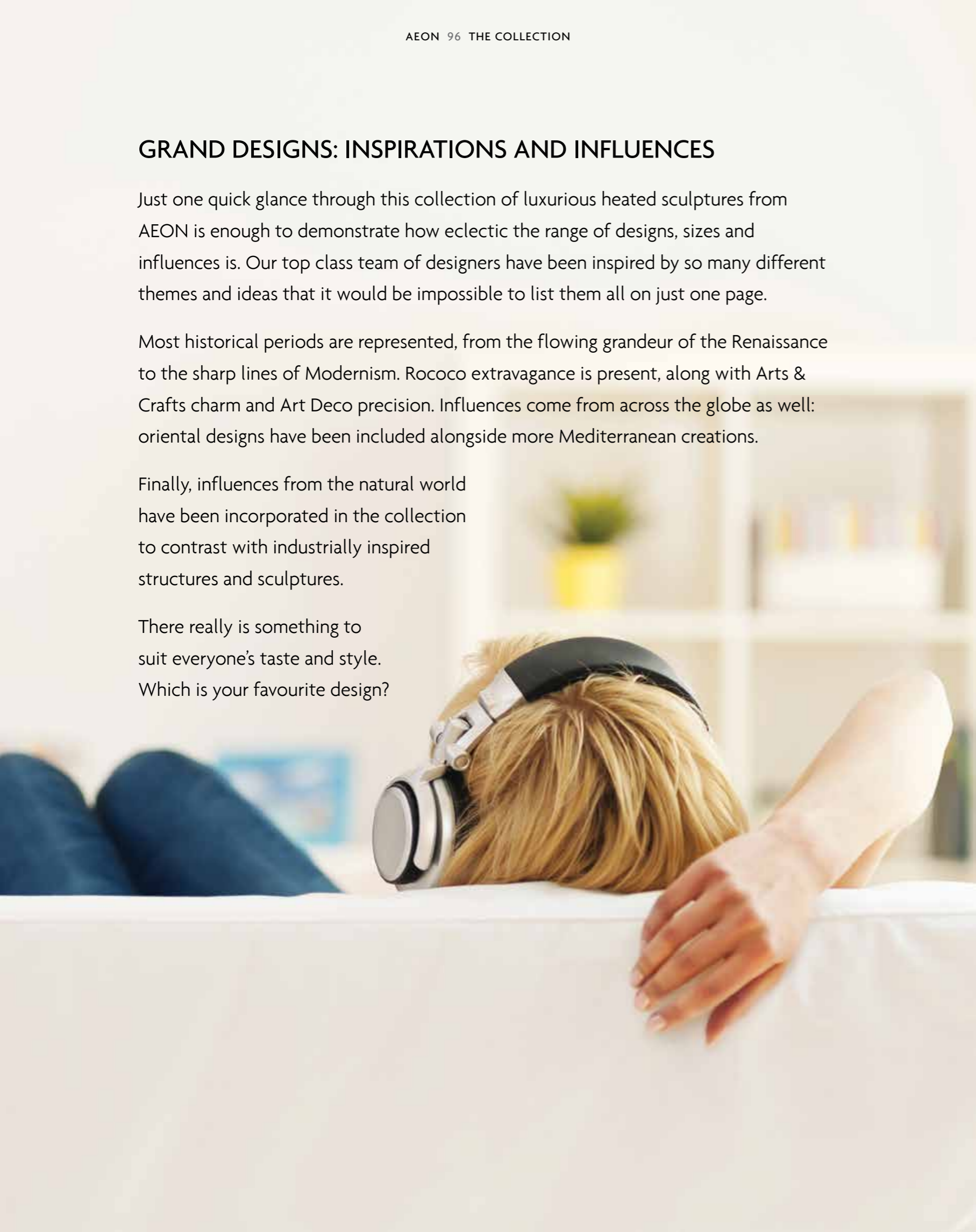
GRAND DESIGNS: INSPIRATIONS AND INFLUENCES

Just one quick glance through this collection of luxurious heated sculptures from AEON is enough to demonstrate how eclectic the range of designs, sizes and influences is. Our top class team of designers have been inspired by so many different themes and ideas that it would be impossible to list them all on just one page.

Most historical periods are represented, from the flowing grandeur of the Renaissance to the sharp lines of Modernism. Rococo extravagance is present, along with Arts & Crafts charm and Art Deco precision. Influences come from across the globe as well: oriental designs have been included alongside more Mediterranean creations.

Finally, influences from the natural world have been incorporated in the collection to contrast with industrially inspired structures and sculptures.

There really is something to suit everyone's taste and style. Which is your favourite design?



DESIGNER




ELIXIR	98	TARDIS	136
ABACUS	100	RENDE	138
ARAT L	102	LOKUM	140
ARAT E	104	MADONNA	142
KARE	106	MARBELLA	144
DALYA	108	ZIG ZAG	146
MARION	110	OTTOMAN	148
BAMBOO	112	SUMELA	150
IMZA	114	WAVE	152
MYSTIC	116	ARMADA	154
LUNAR	118	PEGASUS	156
VENETIAN	120	MERIDIEN	156
STRIA	122		
TWISTER	124		
SOFI	126		
SUPRA	128		
PANACEA	132		
PANACEA MIRROR	134		



ELIXIR

When is a table also a radiator? When it's a dramatic triangular heat source. Accompanied by a co-ordinating mirror, this will be the undisputed focal point of any room.

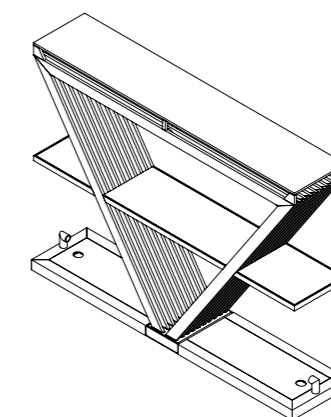
 Model shown on opposite page: ELX120-S (brushed matt) and ELXM120 (brushed matt frame) Mirror

ELIXIR

SS MATERIAL
 10 WORKING PRESSURE
 120°C WORKING TEMP.
 O C OPEN/CLOSED SYSTEM
 V MOUNT POSITION
 20 YEARS WARRANTY

Product Name	Height (mm)	Length (mm)	Depth (mm)	Fuel Options (E/H/D)	Pipes or Sections	Heat Output (BTU/w) ΔT 50		E: Electric only Choice of Elements (Watts)		Finish S: Brushed Matt P: Polished
ELX120	900	1200	255	H	30	11190	3277	2x600	2x900	S
ELX150	900	1500	255	H	30	12425	3638	2x600	2x900	S
ELXM120 (Mirror)	630	840	60	-	-	-	-			S
ELXM150 (Mirror)	630	1050	60	-	-	-	-			S
ELXGS120 (Glass Shelf)	100	840	60	-	-	-	-			S
ELXGS150 (Glass Shelf)	100	1050	60	-	-	-	-			S

We recommend the 3 Bar Safety Valve for all ELECTRIC ONLY (E) products. Dual Fuel is possible either by use of "T" piece and radiator valve or by use of ONE850 or ONE851 (4 way valve)





Model shown: AB1695-SLUM in daylight

Model shown: AB1695-SLUM at night

ABACUS

Who says heating has to be dull? Vibrant, colourful design; perfect for fun-lovers and children's nurseries. Bright globes contrast with sleek stainless steel tubes: a feast for the eyes.

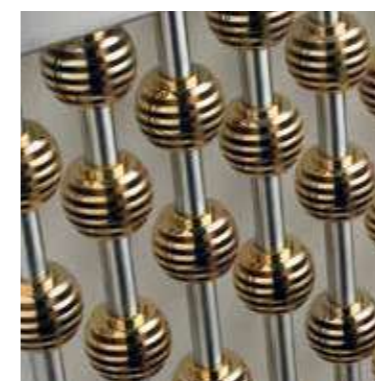
Model shown on opposite page: AB16-95RAL-vari

ABACUS

SS MATERIAL
 10 WORKING PRESSURE
 120°C WORKING TEMP.
 O C OPEN/CLOSED SYSTEM
 V MOUNT POSITION
 20 YEARS WARRANTY

Product Name	Height (mm)	Length (mm)	Depth (mm)	Fuel Options (E/H/D)	Pipes or Sections	Heat Output (BTU/w) ΔT 50		E: Electric only Choice of Elements (Watts)		Finish
						3349	982	340	400	S: Brushed Matt P: Polished
AB1070-SRAL	950	460	45	E/H/D	10	3349	982	340	400	S
AB1070-SRAL-v	950	460	45	E/H/D	10	3349	982	340	400	S
AB1070-SSIL	950	460	45	E/H/D	10	3349	982	340	400	S
AB1070-SLUM	950	460	45	E/H/D	10	3349	982	340	400	S
AB1070-SG	950	460	45	E/H/D	10	3349	982	340	400	S
AB1695-SRAL	1600	460	45	E/H/D	10	5159	1513	400	600	S
AB1695-SRAL-v	1600	460	45	E/H/D	10	5159	1513	400	600	S
AB1695-SSIL	1600	460	45	E/H/D	10	5159	1513	400	600	S
AB1695-SLUM	1600	460	45	E/H/D	10	5159	1513	400	600	S
AB1695-SG	1600	460	45	E/H/D	10	5159	1513	400	600	S

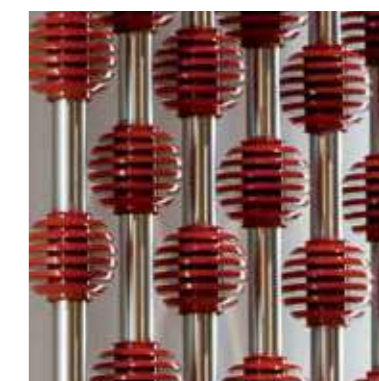
We recommend the 3 Bar Safety Valve for all ELECTRIC ONLY (E) products. Dual Fuel is possible either by use of "T" piece and radiator valve or by use of ONE850 or ONE851 (4 way valve)



GOLD



SILVER



RED

Call us on 01908 271155 or visit www.aeon.uk.com



ARAT L

Discretion meets elegance. Practicality meets style. 40 different sizes for total versatility, with a heat kick that belies its subtle appearance. Ideal for when wall space is at a premium.

Model shown on opposite page: ARL16-6650-P (polished)

ARAT L

SS MATERIAL
10 WORKING PRESSURE
120°C WORKING TEMP.
O C OPEN/CLOSED SYSTEM
V MOUNT POSITION
20 YEARS WARRANTY

Product Name	Height (mm)	Length (mm)	Depth (mm)	Fuel Options (E/H/D)	Pipes or Sections	Heat Output (BTU/w) ΔT 50	E: Electric only		Finish S: Brushed Matt P: Polished
							Choice of Elements (Watts)		
ARL865	660	390	40	E/H/D	8	1551 454	300	400	S,P
ARL1065	660	490	40	E/H/D	10	1899 556	400		S,P
ARL1265	660	590	40	E/H/D	12	2247 658	400		S,P
ARL1465	660	690	40	E/H/D	14	2596 760	400		S,P
ARL1665	660	790	40	E/H/D	16	2944 862	2x400		S,P
ARL2065	660	990	40	E/H/D	20	3641 1066	2x400		S,P
ARL2465	660	1190	40	H	24	4338 1270	H: Central Heating Only		S,P
ARL2865	660	1390	40	H	28	5427 1589	H: Central Heating Only		S,P
ARL3265	660	1590	40	H	32	5731 1678	H: Central Heating Only		S,P
ARL3665	660	1790	40	H	36	6428 1882	H: Central Heating Only		S,P
ARL4065	660	1990	40	H	40	7125 2086	H: Central Heating Only		S,P
ARL876	760	390	40	E/H/D	8	1861 545	300	400	S,P
ARL1076	760	490	40	E/H/D	10	2279 667	400		S,P
ARL1276	760	590	40	E/H/D	12	2697 790	400		S,P
ARL1476	760	690	40	E/H/D	14	3115 912	400		S,P
ARL1676	760	790	40	E/H/D	16	3533 1034	2x400		S,P
ARL2076	760	990	40	E/H/D	20	4369 1279	2x400		S,P
ARL2476	760	1190	40	H	24	5205 1524	H: Central Heating Only		S,P
ARL2876	760	1390	40	H	28	6513 1907	H: Central Heating Only		S,P
ARL3276	760	1590	40	H	32	6878 2014	H: Central Heating Only		S,P
ARL3676	760	1790	40	H	36	7714 2258	H: Central Heating Only		S,P
ARL4076	760	1990	40	H	40	8550 2503	H: Central Heating Only		S,P


We recommend the 3 Bar Safety Valve for all ELECTRIC ONLY (E) products. Dual Fuel is possible either by use of "T" piece and radiator valve or by use of ONE850 or ONE851 (4 way valve)

Call us on 01908 271155 or visit www.aeon.uk.com



ARAT E

Discretion meets elegance. Practicality meets style. 40 different sizes for total versatility, with a heat kick that belies its subtle appearance. Ideal for when wall space is at a premium.

 Model shown on opposite page: ARE8-5050-S (brushed matt)

ARAT E

SS MATERIAL
 10 WORKING PRESSURE
 120°C WORKING TEMP.
 O C OPEN/CLOSED SYSTEM
 V H MOUNT POSITION
 20 YEARS WARRANTY

Product Name	Height (mm)	Length (mm)	Depth (mm)	Fuel Options (E/H/D)	Pipes or Sections	Heat Output (BTU/w) ΔT 50	E: Electric only		Finish S: Brushed Matt P: Polished
							Choice of Elements (Watts)		
ARE855	500	390	40	E/H/D	8	1441 422	300	340	S,P
ARE1055	500	490	40	E/H/D	10	1790 524	300	340	S,P
ARE1255	500	590	40	E/H/D	12	2138 626	300	340	S,P
ARE1455	500	690	40	E/H/D	14	2493 730	300	340	S,P
ARE1655	500	790	40	E/H/D	16	2835 830	300	340	S,P
ARE2055	500	990	40	E/H/D	20	3532 1034	300	340	S,P
ARE2455	500	1190	40	H	24	4229 1238	H: Central Heating Only		S,P
ARE2855	500	1390	40	H	28	4925 1442	H: Central Heating Only		S,P
ARE3255	500	1590	40	H	32	5622 1646	H: Central Heating Only		S,P
ARE3655	500	1790	40	H	36	6319 1850	H: Central Heating Only		S,P
ARE4055	500	1990	40	H	40	7016 2054	H: Central Heating Only		S,P
ARE866	600	390	40	E/H/D	8	1730 506	300	300	S,P
ARE1066	600	490	40	E/H/D	10	2148 629	300	300	S,P
ARE1266	600	590	40	E/H/D	12	2566 751	300	300	S,P
ARE1466	600	690	40	E/H/D	14	2992 876	300	300	S,P
ARE1666	600	790	40	E/H/D	16	3402 996	300	300	S,P
ARE2066	600	990	40	E/H/D	20	4238 1241	2x300		S,P
ARE2466	600	1190	40	H	24	5074 1486	H: Central Heating Only		S,P
ARE2866	600	1390	40	H	28	5910 1730	H: Central Heating Only		S,P
ARE3266	600	1590	40	H	32	6746 1975	H: Central Heating Only		S,P
ARE3666	600	1790	40	H	36	7583 2220	H: Central Heating Only		S,P
ARE4066	600	1990	40	H	40	8419 2465	H: Central Heating Only		S,P

We recommend the 3 Bar Safety Valve for all ELECTRIC ONLY (E) products. Dual Fuel is possible either by use of "T" piece and radiator valve or by use of ONE850 or ONE851 (4 way valve)

Call us on 01908 271155 or visit www.aeon.uk.com



KARE

Traditional, square design suitable for the home or workspace. This compact radiator offers smooth lines and superb heat delivery. Easy to install; effortless to live with.

Model shown on opposite page: KRE8-66-S (brushed matt)

KARE E

SS MATERIAL
10 WORKING PRESSURE
120°C WORKING TEMP.
O C OPEN/CLOSED SYSTEM
V H MOUNT POSITION
20 YEARS WARRANTY

Product Name	Height (mm)	Length (mm)	Depth (mm)	Fuel Options (E/H/D)	Pipes or Sections	Heat Output (BTU/w) ΔT 50	E: Electric only		Finish S: Brushed Matt P: Polished
							Choice of Elements (Watts)		
KRE866	600	390	70	E/H/D	8	1885	552	300	S, P
KRE1066	600	490	70	E/H/D	10	2357	690	300	S, P
KRE1266	600	590	70	E/H/D	12	2828	828	400	S, P
KRE1466	600	690	70	E/H/D	14	3299	966	400	S, P
KRE1666	600	790	70	E/H/D	16	3771	1104	600	S, P
KRE2066	600	990	70	E/H/D	20	4714	1380	600	S, P
KRE2466	600	1190	70	H	24	5656	1656	H: Central Heating Only	S, P
KRE2866	600	1390	70	H	28	6599	1932	H: Central Heating Only	S, P
KRE3266	600	1590	70	H	32	7542	2208	H: Central Heating Only	S, P
KRE3666	600	1790	70	H	36	8484	2484	H: Central Heating Only	S, P

KARE L

MOUNT POSITION

KRL876	760	390	70	E/H/D	8	1988	582	300	S, P
KRL1076	760	490	70	E/H/D	10	2459	720	300	S, P
KRL1276	760	590	70	E/H/D	12	2931	858	400	S, P
KRL1476	760	690	70	E/H/D	14	3402	996	400	S, P
KRL1676	760	790	70	E/H/D	16	3873	1134	600	S, P
KRL2076	760	990	70	E/H/D	20	4816	1410	600	S, P
KRL2476	760	1190	70	H	24	5759	1686	H: Central Heating Only	S, P
KRL2876	760	1390	70	H	28	6701	1962	H: Central Heating Only	S, P
KRL3276	760	1590	70	H	32	7644	2238	H: Central Heating Only	S, P
KRL3676	760	1790	70	H	36	8587	2514	H: Central Heating Only	S, P
KRL71513	1500	340	60	H	7	3720	1089	H: Central Heating Only	S, P
KRL51816	1800	240	60	H	5	3299	966	H: Central Heating Only	S, P
KRL61816	1800	290	60	H	6	3928	1150	H: Central Heating Only	S, P
KRL52018	2000	340	60	H	5	3692	1081	H: Central Heating Only	S, P

We recommend the 3 Bar Safety Valve for all ELECTRIC ONLY (E) products. Dual Fuel is possible either by use of "T" piece and radiator valve or by use of ONE850 or ONE851 (4 way valve)



DALYA

Squaring the circle. The clever combination of square sections with hollow tubular centres makes this radiator easy to incorporate into any design theme. An attractive way to keep out the cold.

i Model shown on opposite page: DAE1466-S (brushed matt) Above left: DAL876-S (brushed matt)

DALYA E

SS MATERIAL
10 WORKING PRESSURE
120°C WORKING TEMP.
O C OPEN/CLOSED SYSTEM
V MOUNT POSITION
20 YEARS WARRANTY

Product Name	Height (mm)	Length (mm)	Depth (mm)	Fuel Options (E/H/D)	Pipes or Sections	Heat Output (BTU/w) ΔT 50		E: Electric only Choice of Elements (Watts)		Finish S: Brushed Matt P: Polished
DAE866	600	390	70	E/H/D	16	2582	756	300		S, P
DAE1066	600	490	70	E/H/D	20	3245	950	300		S, P
DAE1266	600	590	70	E/H/D	24	3894	1140	400		S, P
DAE1466	600	690	70	E/H/D	28	4543	1330	2x300	400	S, P
DAE1666	600	790	70	E/H/D	32	5192	1520	600		S, P
DAE2066	600	990	70	E/H/D	40	6490	1900	600		S, P
DAE2466	600	1190	70	H	48	7788	2280	H: Central Heating Only		S, P
DAE2866	600	1390	70	H	56	9085	2660	H: Central Heating Only		S, P
DAE3266	600	1590	70	H	64	10383	3040	H: Central Heating Only		S, P
DAE3666	600	1790	70	H	72	11681	3420	H: Central Heating Only		S, P

DALYA L


DAL876	760	390	70	E/H/D	16	2661	779	300		S, P
DAL1076	760	490	70	E/H/D	20	3310	969	300		S, P
DAL1276	760	590	70	E/H/D	24	3959	1159	400		S, P
DAL1476	760	690	70	E/H/D	28	4608	1349	2x300	400	S, P
DAL1676	760	790	70	E/H/D	32	5257	1539	600		S, P
DAL2076	760	990	70	E/H/D	20	6555	1919	600		S, P
DAL2476	760	1190	70	H	48	7852	2299	H: Central Heating Only		S, P
DAL71513	1500	340	60	H	14	5127	1501	H: Central Heating Only		S, P
DAL51816	1800	240	60	H	10	4533	1327	H: Central Heating Only		S, P
DAL61816	1800	290	60	H	12	5393	1579	H: Central Heating Only		S, P
DAL52018	2000	240	60	H	10	5072	1485	H: Central Heating Only		S, P

We recommend the 3 Bar Safety Valve for all ELECTRIC ONLY (E) products. Dual Fuel is possible either by use of "T" piece and radiator valve or by use of ONE850 or ONE851 (4 way valve)



MARION

Subtle luxury. The simple design belies an easy elegance and versatile performance. This classic radiator will enhance any room of the house – no need to banish it to the kitchen or bathroom.

 Model shown on opposite page: MAL51816-S (brushed matt) Above left: MAL2076-S (brushed matt)

MARION L

SS MATERIAL
 8 WORKING PRESSURE
 120°C WORKING TEMP.
 O C OPEN/CLOSED SYSTEM
 V MOUNT POSITION
 20 YEARS WARRANTY

Product Name	Height (mm)	Length (mm)	Depth (mm)	Fuel Options (E/H/D)	Pipes or Sections	Heat Output (BTU/w) ΔT 50		E: Electric only Choice of Elements (Watts)		Finish S: Brushed Matt P: Polished
MAL876	760	430	90	E/H/D	16	2739	802	300		S, P
MAL1076	760	530	90	E/H/D	20	3388	992	400		S, P
MAL1276	760	630	90	E/H/D	24	4037	1182	400		S, P
MAL1476	760	730	90	E/H/D	28	4686	1372	400		S, P
MAL1676	760	830	90	E/H/D	32	5335	1562	600		S, P
MAL2076	760	1030	90	E/H/D	40	6633	1942	600		S, P
MAL2476	760	1230	90	H	48	7931	2322	600	900	S, P
MAL2876	760	1430	90	H	56	9229	2702	900		S, P
MAL3276	760	1630	90	H	64	10527	3082	2x900	900	S, P
MAL3676	760	1830	90	H	72	11825	3462	2x600	2x900	S, P
MAL4076	760	2030	90	H	80	13123	3842	2x600	2x900	S, P
MAL71513	1500	380	80	H	14	5082	1488	340	400	S, P
MAL51816	1800	280	80	H	10	4471	1309	H: Central Heating Only		S, P
MAL61816	1800	330	80	H	12	5335	1562	340	400	S, P
MAL52018	2000	280	80	H	10	5011	1467	H: Central Heating Only		S, P

We recommend the 3 Bar Safety Valve for all ELECTRIC ONLY (E) products. Dual Fuel is possible either by use of "T" piece and radiator valve or by use of ONE850 or ONE851 (4 way valve)



BAMBOO

Brings the outdoors inside. This set of stainless steel hollow bamboo shoots reaches up to the sky. Wall and corner versions introduce a touch of Eastern promise to the room.

Model shown on opposite page: BAW418-S (brushed matt) Above right: BAC618-S (brushed matt)

BAMBOO WALL

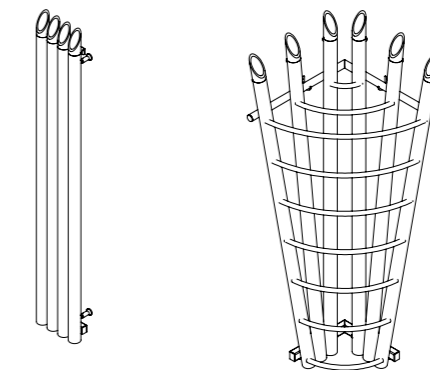
SS MATERIAL
 10 WORKING PRESSURE
 120°C WORKING TEMP.
 O C OPEN/CLOSED SYSTEM
 V MOUNT POSITION
 20 YEARS WARRANTY

Product Name	Height (mm)	Length (mm)	Depth (mm)	Fuel Options (E/H/D)	Towel Gaps	Pipes or Sections	Heat Output (BTU/w) ΔT 50	E: Electric only		Finish S: Brushed Matt P: Polished
								Choice of Elements (Watts)		
BAW118	1800	80	60	E/H/D	n/a	2	1023 300	300	400	S, P
BAW218	1800	130	90	E/H/D	n/a	4	2043 599	2x300	2x400	S, P
BAW318	1800	200	90	E/H/D	n/a	6	3066 899	3x300	3x400	S, P
BAW418	1800	270	90	E/H/D	n/a	8	4082 1197	4x300	4x400	S, P
BAW812	1200	550	90	E/H/D	n/a	16	5442 1596	8x200	8x300	S, P

BAMBOO CORNER

BAC618	1800	600	600	E/H/D	6	12	6124 1796	6x300	6x400	S, P
--------	------	-----	-----	-------	---	----	-----------	-------	-------	------

We recommend the 3 Bar Safety Valve for all ELECTRIC ONLY (E) products. Dual Fuel is possible either by use of "T" piece and radiator valve or by use of ONE850 or ONE851 (4 way valve)



Call us on 01908 271155 or visit www.aeon.uk.com



IMZA

Reliable and beautiful, created from top quality materials. This slim radiator will become an invaluable part of your home in no time at all and there is a towel bar option for added versatility.

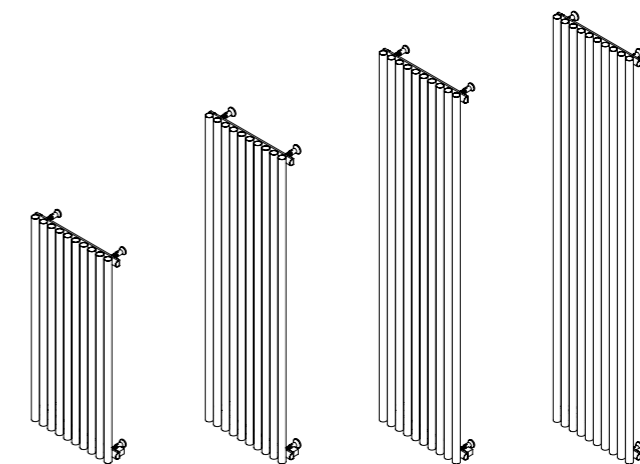
Model shown on opposite page: IMZ200-S (brushed matt) Above left: IMZ200-P (polished)

IMZA

SS MATERIAL
10 WORKING PRESSURE
120°C WORKING TEMP.
O C OPEN/CLOSED SYSTEM
V H MOUNT POSITION
20 YEARS WARRANTY

Product Name	Height (mm)	Length (mm)	Depth (mm)	Fuel Options (E/H/D)	Pipes or Sections	Heat Output (BTU/w) ΔT 50		E: Electric only Choice of Elements (Watts)		Finish
										S: Brushed Matt P: Polished
IMZ100	1000	470	50	E/H/D	10	2978	872	300	400	S, P
IMZ150	1500	470	50	E/H/D	10	4485	1313	400	600	S, P
IMZ180	1800	470	50	E/H/D	10	5362	1570	400	600	S, P
IMZ200	2000	470	50	E/H/D	10	5960	1745	600	900	S, P
ITB10 (Towel Bar)	32	420	60							S, P

We recommend the 3 Bar Safety Valve for all ELECTRIC ONLY (E) products. Dual Fuel is possible either by use of "T" piece and radiator valve or by use of ONE850 or ONE851 (4 way valve)



Call us on 01908 271155 or visit www.aeon.uk.com



MYSTIC

This is no illusion. The cleverly designed tubular columns appear to hang in the air, while the heat generated is nothing short of miraculous. Ethereal elegance meets stylish stainless steel.

Model shown on opposite page: MYE608-S (brushed matt)

MYSTIC E

SS MATERIAL
 WORKING PRESSURE
 WORKING TEMP.
 OPEN/CLOSED SYSTEM
 MOUNT POSITION
 WARRANTY

Product Name	Height (mm)	Length (mm)	Depth (mm)	Fuel Options (E/H/D)	Pipes or Sections	Heat Output (BTU/w) ΔT 50	E: Electric only		Finish S: Brushed Matt P: Polished	
							Choice of Elements (Watts)			
MYE405	400	340	90	E/H/D	10	1127	330	340	400	S,P
MYE406	400	410	90	E/H/D	12	1353	396	340	400	S,P
MYE407	400	480	90	E/H/D	14	1578	462	340	400	S,P
MYE408	400	550	90	E/H/D	16	1803	528	340	400	S,P
MYE409	400	620	90	E/H/D	18	2029	594	340	400	S,P
MYE410	400	690	90	E/H/D	20	2254	660	400	600	S,P
MYE412	400	830	90	E/H/D	24	2705	792	400	600	S,P
MYE414	400	970	90	E/H/D	28	3156	924	400	600	S,P
MYE416	400	1110	90	E/H/D	32	3607	1056	400	600	S,P
MYE605	600	340	90	E/H/D	10	1691	495	600	900	S,P
MYE606	600	410	90	E/H/D	12	2029	594	340	400	S,P
MYE607	600	480	90	E/H/D	14	2367	693	340	400	S,P
MYE608	600	550	90	E/H/D	16	2705	792	400		S,P
MYE609	600	620	90	E/H/D	18	3043	891	400		S,P
MYE610	600	690	90	E/H/D	20	3381	990	600		S,P
MYE612	600	830	90	E/H/D	24	4058	1188	600		S,P
MYE614	600	970	90	E/H/D	28	4734	1386	600		S,P
MYE616	600	1110	90	E/H/D	32	5410	1584	600	900	S,P
MYE154	1500	270	90	E/H/D	8	3429	1004	340	400	S,P
MYE155	1500	340	90	E/H/D	10	4287	1255	340	400	S,P
MYE156	1500	410	90	E/H/D	12	5144	1506	340	400	S,P
MYE158	1500	550	90	E/H/D	16	6859	2008	340	400	S,P
MYE184	1800	270	90	E/H/D	8	4085	1196	340	400	S,P
MYE185	1800	340	90	E/H/D	10	5106	1495	340	400	S,P
MYE204	2000	270	90	E/H/D	8	4550	1332	340	400	S,P
MYE205	2000	340	90	E/H/D	10	5687	1665	340	400	S,P
MYE206	2000	410	90	E/H/D	12	6824	1998	340	400	S,P
MYE207	2000	480	90	E/H/D	14	7962	2331	340	400	S,P
MYE208	2000	550	90	E/H/D	16	9099	2664	340	400	S,P

MYSTIC L

MOUNT POSITION

MYL808	780	550	90	E/H/D	16	2842	832	340	400	S,P
MYL809	780	620	90	E/H/D	18	3197	936	340	400	S,P
MYL810	780	690	90	E/H/D	20	3552	1040	400	600	S,P
MYL812	780	830	90	E/H/D	24	4263	1248	600		S,P
MYL814	780	970	90	E/H/D	28	4973	1456	600		S,P
MYL816	780	1110	90	E/H/D	32	5684	1664	600	900	S,P
MYL820	780	1390	90	E/H/D	40	7104	2080	600	900	S,P

We recommend the 3 Bar Safety Valve for all ELECTRIC ONLY (E) products. Dual Fuel is possible either by use of "T" piece and radiator valve or by use of ONE850 or ONE851 (4 way valve)



LUNAR

Space-age sophistication. Vertical columns reach for the stars in this visually-stunning radiator that's guaranteed to banish the chill. It's out of this world.

R Model shown on opposite page: LUN2005-S (brushed matt) Above Right: LUN2005-S with Infini Mirror

LUNAR

SS MATERIAL
 10 WORKING PRESSURE
 120°C WORKING TEMP.
 O C OPEN/CLOSED SYSTEM
 V H MOUNT POSITION
 20 YEARS WARRANTY

Product Name	Height (mm)	Length (mm)	Depth (mm)	Fuel Options (E/H/D)	Pipes or Sections	Heat Output (BTU/w) ΔT 50	E: Electric only		Finish S: Brushed Matt P: Polished
							Choice of Elements (Watts)		
LUN1505	1500	240	30	H	5	1985	582	H: Central Heating Only	S, P
LUN1507	1500	340	30	H	7	2779	815	H: Central Heating Only	S, P
LUN1510	1500	490	30	H	10	3969	1164	H: Central Heating Only	S, P
LUN1515	1500	740	30	H	15	5954	1746	H: Central Heating Only	S, P
LUN1520	1500	990	30	H	20	7938	2328	H: Central Heating Only	S, P
LUN1805	1800	240	30	H	5	2380	698	H: Central Heating Only	S, P
LUN1807	1800	340	30	H	7	3332	977	H: Central Heating Only	S, P
LUN1810	1800	490	30	H	10	4760	1396	H: Central Heating Only	S, P
LUN1812	1800	590	30	H	12	5712	1675	H: Central Heating Only	S, P
LUN2005	2000	240	30	H	5	2646	776	H: Central Heating Only	S, P
LUN2007	2000	340	30	H	7	3703	1086	H: Central Heating Only	S, P
LUN2007T	2000	320	30	H	7	3683	1080	H: Central Heating Only	S, P
LUN2010	2000	490	30	H	10	5292	1552	H: Central Heating Only	S, P
LUN2012	2000	590	30	H	12	6349	1862	H: Central Heating Only	S, P
LUNT85 (Towel Bar)	40	240	60						S, P
LUNT87 (Towel Bar)	40	340	60						S, P
LUNT10 (Towel Bar)	40	490	60						S, P
INM1826 (Infini Mirror)	1800	260	50						S, P
INM1836 (Infini Mirror)	1800	360	50						S, P
INM2026 (Infini Mirror)	2000	260	50						S, P
INM2036 (Infini Mirror)	2000	360	50						S, P



VENETIAN

Good, old-fashioned glamour. Like the city that inspired it, this radiator is stylish and, above all, cosmopolitan. Install it in the hall for your guests to admire.

Model shown on opposite page: VENTB10-S Clip-on Towel Bar (brushed matt) Above Right: INM1826-S Infini Mirror (brushed matt)

VENETIAN

SS MATERIAL
 10 WORKING PRESSURE
 120°C WORKING TEMP.
 O C OPEN/CLOSED SYSTEM
 V H MOUNT POSITION
 20 YEARS WARRANTY

Product Name	Height (mm)	Length (mm)	Depth (mm)	Fuel Options (E/H/D)	Pipes or Sections	Heat Output (BTU/w) ΔT 50		E: Electric only Choice of Elements (Watts)		Finish S: Brushed Matt P: Polished
VEN720	700	505	70	E/H/D	20	3621	1060	400		S, P
VEN725	700	630	70	E/H/D	25	4526	1325	400		S, P
VEN730	700	755	70	E/H/D	30	5431	1590	400		S, P
VEN1015	1000	380	70	E/H/D	15	3919	1148	340	400	S, P
VEN1020	1000	505	70	E/H/D	20	5226	1530	400		S, P
VEN1025	1000	630	70	E/H/D	25	6532	1913	400		S, P
VEN1510	1500	255	70	E/H/D	10	3928	1150	340	400	S, P
VEN1515	1500	380	70	E/H/D	15	5892	1725	340	400	S, P
VEN1520	1500	505	70	E/H/D	20	7856	2300	400		S, P
VEN1525	1500	630	70	E/H/D	25	9820	2875	400	2x340	S, P
VEN1805	1800	130	70	H	5	2323	680	H: Central Heating Only		S, P
VEN1810	1800	255	70	H	10	4645	1360	H: Central Heating Only		S, P
VEN1815	1800	380	70	E/H/D	15	6968	2040	340	400	S, P
VEN1820	1800	505	70	E/H/D	20	9290	2720	340	400	S, P
VEN1825	1800	630	70	E/H/D	25	11611	3400	400	2x340	S, P
VEN2005	2000	130	70	H	5	2613	765	H: Central Heating Only		S, P
VEN2008	2000	205	70	H	8	4181	1224	H: Central Heating Only		S, P
VEN2010	2000	255	70	H	10	5226	1530	H: Central Heating Only		S, P
VEN2015	2000	380	70	E/H/D	15	7839	2295	340	400	S, P
VEN2020	2000	505	70	E/H/D	20	10450	3060	340	400	S, P
VEN2025	2000	630	70	E/H/D	25	13062	3825	340	400	S, P
VENTB10 (Towel Bar)	40	255	100							S, P
VENTB15 (Towel Bar)	40	380	100							S, P
VENTB20 (Towel Bar)	40	505	100							S, P
INM1826 (Infini Mirror)	1800	260	50							S, P
INM1836 (Infini Mirror)	1800	360	50							S, P
INM2026 (Infini Mirror)	2000	260	50							S, P
INM2036 (Infini Mirror)	2000	360	50							S, P

We recommend the 3 Bar Safety Valve for all ELECTRIC ONLY (E) products. Dual Fuel is possible either by use of "T" piece and radiator valve or by use of ONE850 or ONE851 (4 way valve)



STRIA

The kitchen is the hub of the home. Make it warm and cosy with this stainless steel beauty, designed to perch elegantly on the wall while emitting its welcome heat.

T Model shown on opposite page: STR2010-S (brushed matt)

STRIA

SS MATERIAL
10 WORKING PRESSURE
120°C WORKING TEMP.
O C OPEN/CLOSED SYSTEM
V H MOUNT POSITION
20 YEARS WARRANTY

Product Name	Height (mm)	Length (mm)	Depth (mm)	Fuel Options (E/H/D)	Pipes or Sections	Heat Output (BTU/w) ΔT 50	E: Electric only		Finish S: Brushed Matt P: Polished
							Choice of Elements (Watts)		
STR616	600	425	70	E/H/D	16	2555 748	300		S,P
STR620	600	525	70	E/H/D	20	3183 932	300		S,P
STR624	600	625	70	E/H/D	24	3812 1116	300	400	S,P
STR636	600	925	70	E/H/D	36	5697 1668	300	400	S,P
STR642	600	1075	70	E/H/D	42	6640 1944	300	400	S,P
STR648	600	1225	70	E/H/D	48	7583 2220	400	600	S,P
STR654	600	1375	70	E/H/D	54	8525 2496	400	600	S,P
STR1010	1000	275	70	E/H/D	10	2698 790	300		S,P
STR1016	1000	425	70	E/H/D	16	4276 1252	300		S,P
STR1020	1000	525	70	E/H/D	20	5328 1560	300	400	S,P
STR1024	1000	625	70	E/H/D	24	6380 1868	400		S,P
STR1030	1000	775	70	E/H/D	30	7958 2330	400	600	S,P
STR1508	1500	225	70	E/H/D	8	3238 948	400	600	S,P
STR1510	1500	275	70	E/H/D	10	4024 1178	400	600	S,P
STR1512	1500	325	70	E/H/D	12	4809 1408	400	600	S,P
STR1516	1500	425	70	E/H/D	16	6380 1868	600		S,P
STR1520	1500	525	70	E/H/D	20	7952 2328	600		S,P
STR1808	1800	225	70	E/H/D	8	3832 1122	400	600	S,P
STR1810	1800	275	70	E/H/D	10	4761 1394	400	600	S,P
STR1812	1800	325	70	E/H/D	12	5690 1666	600		S,P
STR1816	1800	425	70	E/H/D	16	7548 2210	600		S,P
STR1820	1800	525	70	E/H/D	20	9407 2754	600		S,P
STR2008	2000	225	70	E/H/D	8	4310 1262	600		S,P
STR2010	2000	275	70	E/H/D	10	5356 1568	600		S,P
STR2012	2000	325	70	E/H/D	12	6401 1874	600	900	S,P
STR2016	2000	425	70	E/H/D	16	8491 2486	600	900	S,P
STR2020	2000	525	70	E/H/D	20	10582 3098	600	900	S,P

We recommend the 3 Bar Safety Valve for all ELECTRIC ONLY (E) products. Dual Fuel is possible either by use of "T" piece and radiator valve or by use of ONE850 or ONE851 (4 way valve)



TWISTER

Unusual elegance. A range of bold designs twisted along the entire length of the bars to reveal attractive alternating brushed and polished steel. The perfect talking point.

Model shown on opposite page: Twister 720 degree model Above: Twister 360 degree model

TWISTER

SS MATERIAL
 6 WORKING PRESSURE
 120°C WORKING TEMP.
 O C OPEN/CLOSED SYSTEM
 V MOUNT POSITION
 20 YEARS WARRANTY


Product Name	Height (mm)	Length (mm)	Depth (mm)	Fuel Options (E/H/D)	Pipes or Sections	Heat Output (BTU/w) ΔT 50		E: Electric only	Finish S: Brushed Matt P: Polished
								Choice of Elements (Watts)	
TW1505_z180	1500	220	55	H	5	2015	590	H: Central Heating Only	S/P Bi-finish
TW1505_z360	1500	220	55	H	5	2015	590	H: Central Heating Only	S/P Bi-finish
TW1507_z180	1500	310	55	H	7	2821	826	H: Central Heating Only	S/P Bi-finish
TW1507_z360	1500	310	55	H	7	2821	826	H: Central Heating Only	S/P Bi-finish
TW1509_z180	1500	400	55	H	9	3627	1062	H: Central Heating Only	S/P Bi-finish
TW1509_z360	1500	400	55	H	9	3627	1062	H: Central Heating Only	S/P Bi-finish
TW1805_z180	1800	220	55	H	5	2384	698	H: Central Heating Only	S/P Bi-finish
TW1805_z360	1800	220	55	H	5	2384	698	H: Central Heating Only	S/P Bi-finish
TW1807_z180	1800	310	55	H	7	3337	977	H: Central Heating Only	S/P Bi-finish
TW1807_z360	1800	310	55	H	7	3337	977	H: Central Heating Only	S/P Bi-finish
TW1809_z180	1800	400	55	H	9	4290	1256	H: Central Heating Only	S/P Bi-finish
TW1809_z360	1800	400	55	H	9	4290	1256	H: Central Heating Only	S/P Bi-finish
TW2005_z180	2000	220	55	H	5	2647	775	H: Central Heating Only	S/P Bi-finish
TW2005_z360	2000	220	55	H	5	2647	775	H: Central Heating Only	S/P Bi-finish
TW2005_z720	2000	220	55	H	5	2647	775	H: Central Heating Only	S/P Bi-finish
TW2007_z180	2000	310	55	H	7	3706	1085	H: Central Heating Only	S/P Bi-finish
TW2007_z360	2000	310	55	H	7	3706	1085	H: Central Heating Only	S/P Bi-finish
TW2007_z720	2000	310	55	H	7	3706	1085	H: Central Heating Only	S/P Bi-finish
TW2009_z180	2000	400	55	H	9	4765	1395	H: Central Heating Only	S/P Bi-finish
TW2009_z360	2000	400	55	H	9	4765	1395	H: Central Heating Only	S/P Bi-finish
TW2009_z720	2000	400	55	H	9	4765	1395	H: Central Heating Only	S/P Bi-finish

We recommend the 3 Bar Safety Valve for all ELECTRIC ONLY (E) products. Dual Fuel is possible either by use of "T" piece and radiator valve or by use of ONE850 or ONE851 (4 way valve)



SOFI

Beauty in simplicity. These vertical bars generate a large amount of heat, while providing a visual and tactile delight available in brushed or polished stainless steel.

 Model shown on opposite page: SS2005-P (polished)

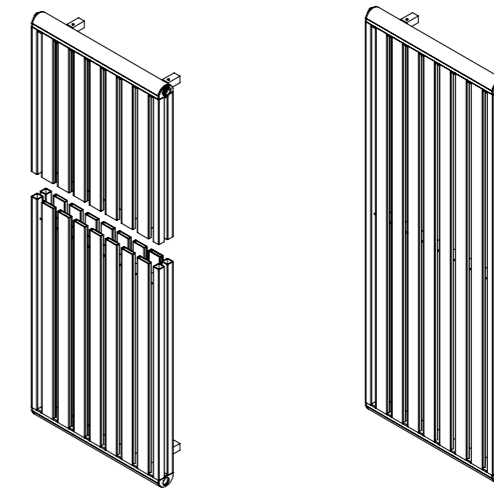
SOFI

SS MATERIAL
 10 WORKING PRESSURE
 120°C WORKING TEMP.
 O C OPEN/CLOSED SYSTEM
 V H MOUNT POSITION
 20 YEARS WARRANTY

Product Name	Height (mm)	Length (mm)	Depth (mm)	Fuel Options (E/H/D)	Pipes or Sections	Heat Output (BTU/w) ΔT 50	E: Electric only		Finish S: Brushed Matt P: Polished
							Choice of Elements (Watts)		
SS1505	1500	292	60	E/H/D	5	1878 550	340	400	P
SS2005	2000	292	60	E/H/D	5	2507 734	340	400	P

We recommend the 3 Bar Safety Valve for all ELECTRIC ONLY (E) products. Dual Fuel is possible either by use of "T" piece and radiator valve or by use of ONE850 or ONE851 (4 way valve)





SUPRA

The perfect finishing touch to an ultra-modern bathroom. This slim, dynamic design will enhance everyone's favourite room and set the mood for a luxurious pampering session.

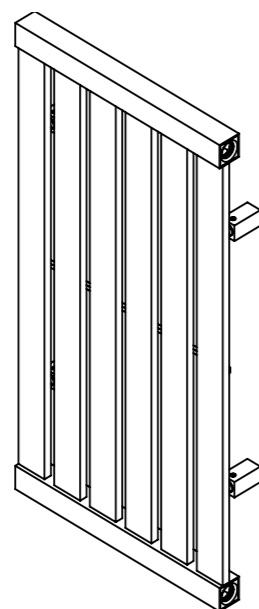
Model shown on opposite page: SUPD

SUPRA DOUBLE

SS MATERIAL
 10 WORKING PRESSURE
 120°C WORKING TEMP.
 O C OPEN/CLOSED SYSTEM
 V H MOUNT POSITION
 20 YEARS WARRANTY

Product Name	Height (mm)	Length (mm)	Depth (mm)	Fuel Options (E/H/D)	Pipes or Sections	Heat Output (BTU/w) ΔT 50	E: Electric only		Finish S: Brushed Matt P: Polished
							Choice of Elements (Watts)		
SUPD48	450	880	50	E/H/D	34	3863	1131	600	S,P
SUPD64	600	440	50	E/H/D	18	2606	763	340 400	S,P
SUPD65	600	550	50	E/H/D	22	3241	949	400	S,P
SUPD66	600	660	50	E/H/D	26	3877	1135	400	S,P
SUPD67	600	770	50	E/H/D	30	4512	1321	600	S,P
SUPD84	800	440	50	E/H/D	18	3518	1030	340 400	S,P
SUPD85	800	550	50	E/H/D	22	4375	1281	400	S,P
SUPD86	800	660	50	E/H/D	26	5233	1532	400	S,P
SUPD103	1000	330	50	E/H/D	14	3286	962	340 400	S,P
SUPD104	1000	440	50	H	18	4348	1273	H: Central Heating Only	S,P
SUPD105	1000	550	50	E/H/D	22	5407	1583	400	S,P
SUPD106	1000	660	50	E/H/D	26	6466	1893	400	S,P
SUPD122	1200	220	50	H	10	2671	782	H: Central Heating Only	S,P
SUPD123	1200	330	50	H	14	3945	1155	H: Central Heating Only	S,P
SUPD124	1200	440	50	H	18	5216	1527	H: Central Heating Only	S,P
SUPD125	1200	550	50	H	22	6490	1900	H: Central Heating Only	S,P
SUPD126	1200	660	50	E/H/D	26	7760	2272	400	S,P
SUPD152	1500	220	50	H	10	3340	978	H: Central Heating Only	S,P
SUPD153	1500	330	50	H	14	4929	1443	340 400	S,P
SUPD154	1500	440	50	H	18	6520	1909	H: Central Heating Only	S,P
SUPD155	1500	550	50	E/H/D	22	8112	2375	400	S,P
SUPD182	1800	220	50	H	10	4006	1173	H: Central Heating Only	S,P
SUPD183	1800	330	50	H	14	5912	1731	H: Central Heating Only	S,P
SUPD184	1800	440	50	H	18	7818	2289	H: Central Heating Only	S,P
SUPD185	1800	550	50	E/H/D	22	9728	2848	400	S,P
SUPD202	2000	220	50	H	10	4454	1304	H: Central Heating Only	S,P
SUPD203	2000	330	50	H	14	6572	1924	H: Central Heating Only	S,P
SUPD204	2000	440	50	H	18	8682	2542	H: Central Heating Only	S,P
SUPD205	2000	550	50	E/H/D	22	10814	3166	400	S,P

We recommend the 3 Bar Safety Valve for all ELECTRIC ONLY (E) products. Dual Fuel is possible either by use of "T" piece and radiator valve or by use of ONE850 or ONE851 (4 way valve)



SUPRA

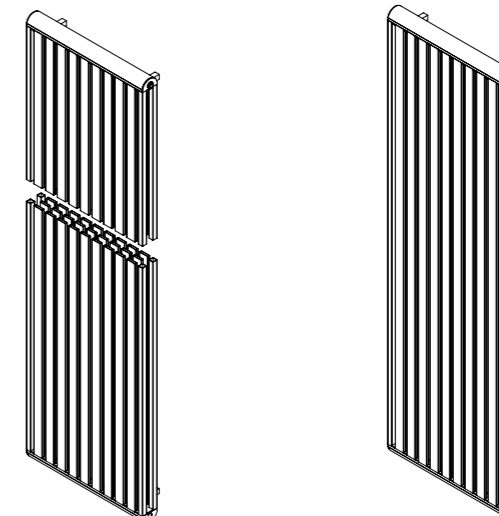
R Model shown: SUPS63-S (brushed matt)

SUPRA SINGLE

SS MATERIAL
10 WORKING PRESSURE
120°C WORKING TEMP.
O C OPEN/CLOSED SYSTEM
V H MOUNT POSITION
20 YEARS WARRANTY

Product Name	Height (mm)	Length (mm)	Depth (mm)	Fuel Options (E/H/D)	Pipes or Sections	Heat Output (BTU/w) ΔT 50		E: Electric only Choice of Elements (Watts)		Finish S: Brushed Matt P: Polished
SUPS63	600	315	30	E/H/D	6	943	276	340	400	S,P
SUPS64	600	425	30	E/H/D	8	1257	368	340	400	S,P
SUPS65	600	535	30	E/H/D	10	1728	506	340	400	S,P
SUPS67	600	700	30	E/H/D	13	2043	598		400	S,P
SUPS68	600	810	30	E/H/D	15	2357	690		600	S,P
SUPS104	1000	425	30	E/H/D	8	2104	616	340	400	S,P
SUPS105	1000	535	30	E/H/D	10	2893	847	340	400	S,P
SUPS107	1000	700	30	E/H/D	13	3419	1001		400	S,P
SUPS124	1200	425	30	E/H/D	8	2541	744	340	400	S,P
SUPS125	1200	535	30	E/H/D	10	3494	1023	340	400	S,P
SUPS127	1200	700	30	E/H/D	13	4129	1209	340	400	S,P
SUPS153	1500	315	30	E/H/D	6	2377	696	340	400	S,P
SUPS154	1500	425	30	E/H/D	8	3170	928	340	400	S,P
SUPS155	1500	535	30	E/H/D	10	4358	1276		400	S,P
SUPS182	1800	205	30	H	4	1899	556	H: Central Heating Only		S,P
SUPS183	1800	315	30	H	6	2849	834	H: Central Heating Only		S,P
SUPS184	1800	425	30	H	8	3798	1112	H: Central Heating Only		S,P
SUPS185	1800	535	30	H	10	5222	1529	H: Central Heating Only		S,P
SUPS202	2000	205	30	H	4	2118	620	H: Central Heating Only		S,P
SUPS203	2000	315	30	H	6	3177	930	H: Central Heating Only		S,P
SUPS204	2000	425	30	H	8	4235	1240	H: Central Heating Only		S,P

We recommend the 3 Bar Safety Valve for all ELECTRIC ONLY (E) products. Dual Fuel is possible either by use of "T" piece and radiator valve or by use of ONE850 or ONE851 (4 way valve)



SUPRA

SUPRA TRIPLE

SS MATERIAL
10 WORKING PRESSURE
120°C WORKING TEMP.
O C OPEN/CLOSED SYSTEM
V H MOUNT POSITION
20 YEARS WARRANTY

Product Name	Height (mm)	Length (mm)	Depth (mm)	Fuel Options (E/H/D)	Pipes or Sections	Heat Output (BTU/w) ΔT 50		E: Electric only Choice of Elements (Watts)		Finish S: Brushed Matt P: Polished
SUPT45	450	550	70	H	31	3247	951	H: Central Heating Only		S,P
SUPT46	450	660	70	H	37	3885	1137	H: Central Heating Only		S,P
SUPT47	450	770	70	E/H/D	43	4520	1323	600		S,P
SUPT48	450	880	70	E/H/D	49	5159	1510	600		S,P
SUPT64	600	440	70	H	25	3481	1019	H: Central Heating Only		S,P
SUPT65	600	550	70	H	31	4329	1267	H: Central Heating Only		S,P
SUPT66	600	660	70	H	37	5177	1516	H: Central Heating Only		S,P
SUPT67	600	770	70	E/H/D	43	6025	1764	600		S,P
SUPT84	800	440	70	H	25	4697	1375	H: Central Heating Only		S,P
SUPT85	800	550	70	H	31	5843	1711	H: Central Heating Only		S,P
SUPT86	800	660	70	H	37	6986	2045	H: Central Heating Only		S,P
SUPT103	1000	330	70	H	19	4387	1284	H: Central Heating Only		S,P
SUPT104	1000	440	70	H	25	5806	1700	H: Central Heating Only		S,P
SUPT105	1000	550	70	H	31	7220	2114	H: Central Heating Only		S,P
SUPT106	1000	660	70	H	37	8633	2528	H: Central Heating Only		S,P
SUPT122	1200	220	70	H	13	3566	1044	H: Central Heating Only		S,P
SUPT123	1200	330	70	H	19	5268	1542	H: Central Heating Only		S,P
SUPT124	1200	440	70	H	25	6964	2039	H: Central Heating Only		S,P
SUPT125	1200	550	70	H	31	8664	2537	H: Central Heating Only		S,P
SUPT126	1200	660	70	H	37	10360	3033	H: Central Heating Only		S,P
SUPT152	1500	220	70	H	13	4460	1306	H: Central Heating Only		S,P
SUPT153	1500	330	70	H	19	6581	1927	H: Central Heating Only		S,P
SUPT154	1500	440	70	H	25	8706	2549	H: Central Heating Only		S,P
SUPT155	1500	550	70	H	31	10831	3171	H: Central Heating Only		S,P
SUPT182	1800	220	70	H	13	5350	1566	H: Central Heating Only		S,P
SUPT183	1800	330	70	H	19	7895	2311	H: Central Heating Only		S,P
SUPT184	1800	440	70	V	25	10439	3056	H: Central Heating Only		S,P
SUPT185	1800	550	70	V	31	12986	3802	H: Central Heating Only		S,P
SUPT202	2000	220	70	H	13	5946	1741	H: Central Heating Only		S,P
SUPT203	2000	330	70	V	19	8773	2569	H: Central Heating Only		S,P
SUPT204	2000	440	70	V	25	11591	3394	H: Central Heating Only		S,P
SUPT205	2000	550	70	V	31	14436	4227	H: Central Heating Only		S,P

We recommend the 3 Bar Safety Valve for all ELECTRIC ONLY (E) products. Dual Fuel is possible either by use of "T" piece and radiator valve or by use of ONE850 or ONE851 (4 way valve)



PANACEA

Alluring, understated elegance. This low-slung louvre-style radiator sits unobtrusively against the wall, throwing out plenty of heat without feeling the need to shout about it.

Model shown on opposite page: PANE0512-S (brushed matt)

PANACEA E

SS MATERIAL
 8 WORKING PRESSURE
 120°C WORKING TEMP.
 O C OPEN/CLOSED SYSTEM
 V H MOUNT POSITION
 20 YEARS WARRANTY

Product Name	Height (mm)	Length (mm)	Depth (mm)	Fuel Options (E/H/D)	Pipes or Sections	Heat Output (BTU/w) ΔT 50		E: Electric only		Finish S: Brushed Matt P: Polished
								Choice of Elements (Watts)		
PANE0504	480	400	70	E/H/D	10	1147	336	300		S,P
PANE0505	480	500	70	E/H/D	10	1434	420	300		S,P
PANE0506	480	600	70	E/H/D	10	1721	504	300		S,P
PANE0507	480	700	70	E/H/D	10	2008	588	300		S,P
PANE0508	480	800	70	E/H/D	10	2295	672	300		S,P
PANE0509	480	900	70	E/H/D	10	2582	756	300		S,P
PANE0510	480	1000	70	E/H/D	10	2869	840	2x300		S,P
PANE0512	480	1200	70	E/H/D	10	3442	1008	2x300		S,P
PANE0514	480	1400	70	E/H/D	10	4016	1176	2x300		S,P
PANE0515	480	1500	70	E/H/D	10	4303	1260	2x300		S,P
PANE0516	480	1600	70	E/H/D	10	4590	1344	2x300		S,P
PANE0517	480	1700	70	E/H/D	10	4877	1428	2x300		S,P
PANE0518	480	1800	70	E/H/D	10	5163	1512	2x300		S,P
PANE0520	480	2000	70	E/H/D	10	5737	1680	2x300		S,P
PANE0604	620	400	70	E/H/D	13	1492	437	400		S,P
PANE0605	620	500	70	E/H/D	13	1865	546	400		S,P
PANE0606	620	600	70	E/H/D	13	2238	655	400		S,P
PANE0607	620	700	70	E/H/D	13	2610	764	400	2x300	S,P
PANE0608	620	800	70	E/H/D	13	2983	874	400	2x300	S,P
PANE0609	620	900	70	E/H/D	13	3356	983	400	2x300	S,P
PANE0610	620	1000	70	E/H/D	13	3729	1092	2x400		S,P
PANE0612	620	1200	70	E/H/D	13	4475	1310	2x400		S,P
PANE0614	620	1400	70	E/H/D	13	5221	1529	2x400		S,P
PANE0615	620	1500	70	E/H/D	13	5594	1638	2x400		S,P
PANE0616	620	1600	70	E/H/D	13	5967	1747	2x400		S,P
PANE0617	620	1700	70	E/H/D	13	6340	1856	2x400		S,P
PANE0618	620	1800	70	E/H/D	13	6713	1966	2x400		S,P
PANE0620	620	2000	70	E/H/D	13	7458	2184	2x400		S,P
PANE1004	1035	400	70	E/H/D	22	2524	739	600		S,P
PANE1005	1035	500	70	E/H/D	22	3155	924	600		S,P
PANE1006	1035	600	70	E/H/D	22	3787	1109	600		S,P
PANE1204	1175	400	70	E/H/D	25	2869	840	600	900	S,P
PANE1205	1175	500	70	E/H/D	25	3586	1050	600	900	S,P
PANE1206	1175	600	70	E/H/D	25	4303	1260	600	900	S,P
PANE1504	1500	400	70	E/H/D	32	3672	1075	600		S,P
PANE1505	1500	500	70	E/H/D	32	4590	1344	600		S,P
PANE1506	1500	600	70	E/H/D	32	5508	1613	600		S,P
PANE1804	1825	400	70	E/H/D	39	4475	1310	600		S,P
PANE1805	1825	500	70	E/H/D	39	5594	1638	600	900	S,P
PANE1806	1825	600	70	E/H/D	39	6713	1966	600	900	S,P
PANE2004	2015	400	70	E/H/D	43	4934	1445	600		S,P
PANE2005	2015	500	70	E/H/D	43	6167	1806	600	900	S,P
PANE2006	2015	600	70	E/H/D	43	7401	2167	600	900	S,P


We recommend the 3 Bar Safety Valve for all ELECTRIC ONLY (E) products. Dual Fuel is possible either by use of "T" piece and radiator valve or by use of ONE850 or ONE851 (4 way valve)

Call us on 01908 271155 or visit www.aeon.uk.com



PANACEA MIRROR

The last word in practicality. Combines a full-length mirror with attractive louvre-style heated bars and LED lights. Perfect for bathrooms, bedrooms... and getting ready for a great night out.

 Model shown on opposite page: PANM180-S and PANMTR6-S clip on towel bar attachment (brushed matt)

PANACEA MIRROR

SS MATERIAL
 8 WORKING PRESSURE
 120°C WORKING TEMP.
 O C OPEN/CLOSED SYSTEM
 V MOUNT POSITION
 20 YEARS WARRANTY

Product Name	Height (mm)	Length (mm)	Depth (mm)	Fuel Options (E/H/D)	Pipes or Sections	Heat Output (BTU/w) ΔT 50	E: Electric only		Finish	
							Choice of Elements (Watts)		S: Brushed Matt	P: Polished
PANM1806	1800	600	70	E/H/D	6	3002 879	340	400	S, P	S, P
PANMTR6 (Towel Rail)	650	50	95						S, P	S, P

We recommend the 3 Bar Safety Valve for all ELECTRIC ONLY (E) products. Dual Fuel is possible either by use of "T" piece and radiator valve or by use of ONE850 or ONE851 (4 way valve)

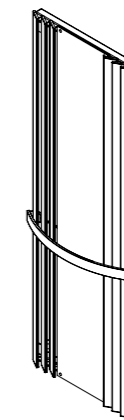




Image above shows Tardis featuring the beautiful calligraphic signature of the Ottoman Sultan (Suleyman, the Magnificent) in a highly polished crackled gold. The signature is for photographic purposes only, Tardis is made to order with your very own image.



TARDIS

A truly bespoke radiator with a glass front which can be printed with any high quality picture of choice. The image possibilities are endless, from a family portrait to a favourite view or a conceptual design.

Model shown on opposite page: TAV1820

TARDIS

Product Name	Height (mm)	Length (mm)	Depth (mm)	Fuel Options (E/H/D)	Pipes or Sections	Heat Output (BTU/w) ΔT 50	E: Electric only		Finish S: Brushed Matt P: Polished
							Choice of Elements (Watts)		
TAV1820	1820	515	90	E/H/D	20	9290 2720	400		S
TAT1820	1820	515	90	H	20	9156 2681		H: Central Heating Only	Black

We recommend the 3 Bar Safety Valve for all ELECTRIC ONLY (E) products. Dual Fuel is possible either by use of "T" piece and radiator valve or by use of ONE850 or ONE851 (4 way valve)

Add your own personal signature piece to any room, choose an image to transform into your very own unique radiator. A family portrait or photo montage of your favorite memories, a scenic landscape or a chosen design from an image library will become a talking point. Exclusively made to order, Tardis comes with a 20 year warranty.

This vertical radiator provides a highly efficient heat output which is not compromised by the design. A glass finish vacuum seals the image

behind a layer of shatterproof glass, all fixings are discreetly located behind the radiator. Tardis is suitable for hot water, electric or dual fuel installations. Our standard sized offering is 1820mm high x 515mm wide and 90mm deep. If you are looking for an alternative size please get in touch.

We produce all of our own Tardis radiators with great care, as such we can offer the flexibility and attention to detail these home accessories deserve.



RENDE

Reach for the sky. Echoes of the New York skyline are present in this dramatic super-size radiator. Modern art meets up-to-the minute technology as this exciting heat source steps into the limelight.

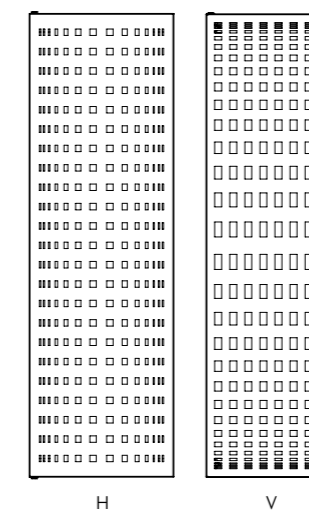
Model shown on opposite page: RENV520

RENDE

SS MATERIAL
 10 WORKING PRESSURE
 120°C WORKING TEMP.
 O C OPEN/CLOSED SYSTEM
 V H MOUNT POSITION
 20 YEARS WARRANTY

Product Name	Height (mm)	Length (mm)	Depth (mm)	Fuel Options (E/H/D)	Pipes or Sections	Heat Output (BTU/w) ΔT 50	E: Electric only		Finish S: Brushed Matt P: Polished
							Choice of Elements (Watts)		
RENV518	1800	560	33	E/H/D	11	2367 693	600	900	S
RENV520	2000	560	33	E/H/D	11	2606 763	600	900	S
RENH518	1800	560	33	E/H/D	27	2261 662	600	900	S
RENH520	2000	560	33	E/H/D	27	2489 729	600	900	S
RENTB50 (Towel Bar)	80	560	100						S

We recommend the 3 Bar Safety Valve for all ELECTRIC ONLY (E) products. Dual Fuel is possible either by use of "T" piece and radiator valve or by use of ONEB50 or ONEB51 (4 way valve)





LOKUM

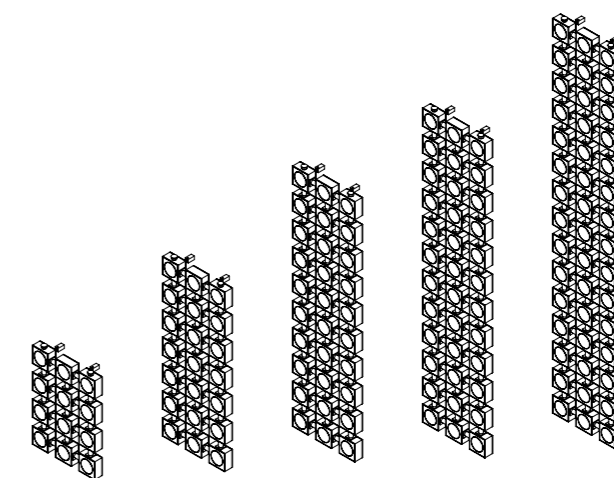
Retro revolution. This funky, powerful radiator stands from floor to ceiling, doubling up as the ideal room divider. Also available as a wall-mounted radiator.

i Model shown on opposite page: LOK36-S (brushed matt)

LOKUM

SS MATERIAL
8 WORKING PRESSURE
120°C WORKING TEMP.
O C OPEN/CLOSED SYSTEM
V H MOUNT POSITION
20 YEARS WARRANTY

Product Name	Height (mm)	Length (mm)	Depth (mm)	Fuel Options (E/H/D)	Pipes or Sections	Heat Output (BTU/w) ΔT 50	E: Electric only		Finish S: Brushed Matt P: Polished
							Choice of Elements (Watts)		
LOK12	570	400	50	H	12	2172	636	H: Central Heating Only	S, P
LOK21	1020	400	50	H	21	3802	1113	H: Central Heating Only	S, P
LOK30	1470	400	50	H	30	5431	1590	H: Central Heating Only	S, P
LOK36	1770	400	50	H	36	5779	1692	H: Central Heating Only	S, P
LOK45	2220	400	50	H	45	8146	2385	H: Central Heating Only	S, P



Drawings show Lokum when wall mounted



MADONNA

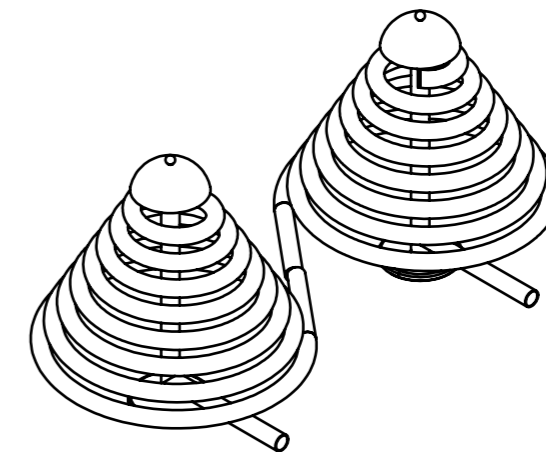
Vogue. Make room in your house for the Material Girl with this eye-catching pair, guaranteed to raise a smile along with the temperature. This quirky design is flexible and fun.

Model shown on opposite page: MAD400-S (brushed matt)

MADONNA

SS MATERIAL
8 WORKING PRESSURE
120°C WORKING TEMP.
O C OPEN/CLOSED SYSTEM
H MOUNT POSITION
20 YEARS WARRANTY

Product Name	Height (mm)	Length (mm)	Depth (mm)	Fuel Options (E/H/D)	Pipes or Sections	Heat Output (BTU/w) ΔT 50	E: Electric only		Finish S: Brushed Matt P: Polished
							Choice of Elements (Watts)		
MAD400	400	900	425	H	2	1339 392	H: Central Heating Only		S, P





MARBELLA

Sensuous and smooth mixture of natural stone panels and stainless steel bars. A wide choice of sizes and stones allows the tailored design to complement the individual's own style.

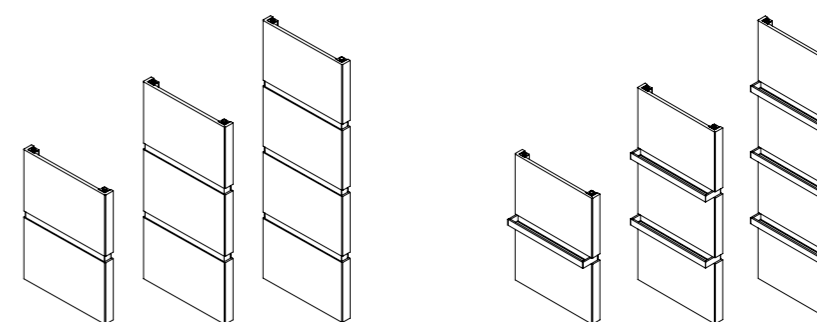
RT Model shown on opposite page: MAR4-P (polished belts) with MNA (Nero Assoluto) granite tiles
 Above: MAR3T-P (polished towel bars + belts) with MCM (Crema Marfil) marble tiles

MARBELLA

SS MATERIAL **10** WORKING PRESSURE **120°C** WORKING TEMP. **O C** OPEN/CLOSED SYSTEM **V** MOUNT POSITION **20 YEARS** WARRANTY

Product Name	Height (mm)	Length (mm)	Depth (mm)	Fuel Options (E/H/D)	Pipes or Sections	Heat Output (BTU/w) ΔT 50	E: Electric only		Finish S: Brushed Matt P: Polished
							Choice of Elements (Watts)		
MAR2	845	600	60	E/H/D	8	1680 492	300	400	S,P
MAR3	1285	600	60	E/H/D	12	2507 734	400	600	S,P
MAR4	1725	600	60	E/H/D	16	3354 982	600	900	S,P
MAR2T	845	600	120	E/H/D	8	1697 497	300	400	S,P
MAR3T	1285	600	120	E/H/D	12	2532 741	400	600	S,P
MAR4T	1725	600	120	E/H/D	16	3388 992	600	900	S,P
MNA (Nero Assoluto)	400	600	60			Black Granite Natural Stone - Polished finish			
MCM (Crema Marfil)	400	600	60			Beige Marble Natural Stone - Polished finish			
MTC (Travertine Classico)	400	600	60			Beige Travertine Natural Stone - Satin matt finish			

We recommend the 3 Bar Safety Valve for all ELECTRIC ONLY (E) products. Dual Fuel is possible either by use of "T" piece and radiator valve or by use of ONE850 or ONE851 (4 way valve)



Call us on 01908 271155 or visit www.aeon.uk.com



ZIG ZAG

The geometric shape of Zig Zag introduces a simple pattern and form into a room as well as comfort and warmth.

R T Model shown on opposite page: ZE155S Above left: ZM155S Above right: ZK155S Below: ZT155S

ZIG ZAG

SS MATERIAL
 10 WORKING PRESSURE
 120°C WORKING TEMP.
 O C OPEN/CLOSED SYSTEM
 V MOUNT POSITION
 20 YEARS WARRANTY

Product Name	Height (mm)	Length (mm)	Depth (mm)	Fuel Options (E/H/D)	Towel Gaps	Pipes or Sections	Heat Output (BTU/w) ΔT 50	Water Content (L)	Finish S: Brushed Matt P: Polished
ZE155S	1500	500	40	E	6	13	1,264 370	4.80	S, P
ZE155	1500	500	40	E	6	13	1,264 370	4.80	S, P
ZK155S	1500	500	40	E/H/D	5	14	1,296 380	3.85	S, P
ZK155	1500	500	40	E/H/D	5	14	1,296 380	3.85	S, P
ZM155S	1500	500	40	E/H/D	3	14	1,296 380	3.72	S, P
ZM155	1500	500	40	E	3	14	1,296 380	3.72	S, P
ZT155S	1500	500	40	E/H/D	6	19	1,742 510	6.10	S, P
ZT155	1500	500	40	E/H/D	6	19	1,742 510	6.10	S, P



Call us on 01908 271155 or visit www.aeon.uk.com



OTTOMAN

Strong and sturdy. Echoing the powerful era of Turkish history for which it is named, this radiator will easily heat a whole room, while built-in LED lights create an after-dark transformation.

 Model shown on opposite page: OTT170-31-S Above: OTT170-60-S with OGT170-S Glass top kit and LLO Light kit

OTTOMAN

SS MATERIAL
 10 WORKING PRESSURE
 120°C WORKING TEMP.
 O C OPEN/CLOSED SYSTEM
 FS MOUNT POSITION
 20 YEARS WARRANTY

Product Name	Height (mm)	Length (mm)	Depth (mm)	Fuel Options (E/H/D)	Pipes or Sections	Heat Output (BTU/w) ΔT 50	E: Electric only		Finish S: Brushed Matt P: Polished
							Choice of Elements (Watts)		
OTT1027	500	970	170	H	27	5356	1571	H: Central Heating Only	S, P
OTT1031	500	970	170	H	31	6037	1771	H: Central Heating Only	S, P
OTT1049	500	970	170	H	49	8949	2624	H: Central Heating Only	S, P
OTT1060	500	970	170	H	60	13423	3936	H: Central Heating Only	S, P
OTT1227	500	1170	170	H	27	6695	1963	H: Central Heating Only	S, P
OTT1231	500	1170	170	H	31	7547	2213	H: Central Heating Only	S, P
OTT1249	500	1170	170	H	49	11187	3281	H: Central Heating Only	S, P
OTT1260	500	1170	170	H	60	16779	4920	H: Central Heating Only	S, P
OTT1527	500	1470	170	H	27	8703	2552	H: Central Heating Only	S, P
OTT1531	500	1470	170	H	31	9811	2877	H: Central Heating Only	S, P
OTT1549	500	1470	170	H	49	14543	4265	H: Central Heating Only	S, P
OTT1560	500	1470	170	H	60	21812	6397	H: Central Heating Only	S, P
OTT1727	500	1670	170	H	27	9372	2748	H: Central Heating Only	S, P
OTT1731	500	1670	170	H	31	10504	3080	H: Central Heating Only	S, P
OTT1749	500	1670	170	H	49	15565	4564	H: Central Heating Only	S, P
OTT1760	500	1670	170	H	60	23351	6848	H: Central Heating Only	S, P
OGT10	24	820	170			Glass Top kit for Ottoman 1027 / 1031 / 1049 / 1060			S, P
OGT12	24	1020	170			Glass Top kit for Ottoman 1227 / 1231 / 1249 / 1260			S, P
OGT15	24	1320	170			Glass Top kit for Ottoman 1527 / 1531 / 1549 / 1560			S, P
OGT17	24	1520	170			Glass Top kit for Ottoman 1727 / 1731 / 1749 / 1760			S, P
LLO						LED Light Kit for Ottoman Glass Top (Pair)			



SUMELA

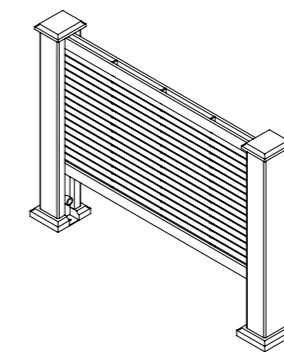
This low, horizontal radiator is attractive, sturdy and reliable. Its bold industrial appearance is surprisingly versatile, fitting in with almost any interior design theme.

i Model shown on opposite page: SUML718-S (brushed matt) using stainless steel pillars (SPSS)

SUMELA

SS MATERIAL
10 WORKING PRESSURE
120°C WORKING TEMP.
O C OPEN/CLOSED SYSTEM
V MOUNT POSITION
20 YEARS WARRANTY

Product Name	Height (mm)	Length (mm)	Depth (mm)	Fuel Options (E/H/D)	Pipes or Sections	Heat Output (BTU/w) ΔT 50		E: Electric only Choice of Elements (Watts)	Finish S: Brushed Matt P: Polished
SUML710	700	945	100	H	36	5533	1620	H: Central Heating Only	S
SUML712	700	1090	100	H	36	6640	1944	H: Central Heating Only	S
SUML715	700	1590	100	H	36	8115	2376	H: Central Heating Only	S
SUML718	700	1800	100	H	36	8853	2592	H: Central Heating Only	S
SUML720	700	2090	100	H	36	9960	2916	H: Central Heating Only	S
SPSS (Pillars)	AEON Sumela Stainless Steel Pillars (pair)								S
SPNA (Pillars)	AEON Sumela Black Granite - Nero Assoluto Pillars (pair)								
SPTC (Pillars)	AEON Sumela Beige - Travertine Classico Pillars (pair)								
SPCM (Pillars)	AEON Sumela Beige Marble - Crema Marfil Pillars (pair)								
SPVB (Pillars)	AEON Sumela Green Granite - Verde Butterfly Pillars (pair)								
SPLA (Pillars)	AEON Sumela Brown Granite - Labrador Antique Pillars (pair)								





WAVE

Woven loveliness. This works horizontally or vertically, and brings a pleasing sense of order to the room. Sensuous and tactile, this gorgeous radiator will appeal to more than just one of your senses.

i Model shown on opposite page: WA715h-S (brushed matt) and Verde Butterfly (WPVB) Granite Pillars Above: WA216v

WAVE VERTICAL

SS MATERIAL
 6 WORKING PRESSURE
 120°C WORKING TEMP.
 O C OPEN/CLOSED SYSTEM
 V MOUNT POSITION
 20 YEARS WARRANTY

Product Name	Height (mm)	Length (mm)	Depth (mm)	Fuel Options (E/H/D)	Pipes or Sections	Heat Output (BTU/w) ΔT 50	E: Electric only		Finish S: Brushed Matt P: Polished
							Choice of Elements (Watts)		
WA106v	1070	550	70	H	14	3897 1141	H: Central Heating Only		S
WA166v	1570	550	70	H	14	5846 1712	H: Central Heating Only		S
WA216v	2070	550	70	H	14	7793 2282	H: Central Heating Only		S

We recommend the 3 Bar Safety Valve for all ELECTRIC ONLY (E) products. Dual Fuel is possible either by use of "T" piece and radiator valve or by use of ONE850 or ONE851 (4 way valve)

WAVE HORIZONTAL

MOUNT POSITION **H**

WA710h	700	1130	140	H	14	3897 1141	H: Central Heating Only		S
WA715h	700	1630	140	H	14	5846 1712	H: Central Heating Only		S
WA720h	700	2130	140	H	14	7793 2282	H: Central Heating Only		S
WPSS (Pillars)	AEON Wave Horizontal Stainless Steel Pillars (pair)								S
WPNA (Pillars)	AEON Wave Horizontal Black Granite - Nero Assoluto Pillars (pair)								
WPTC (Pillars)	AEON Wave Horizontal Beige - Travertine Classico Pillars (pair)								
WPCM (Pillars)	AEON Wave Horizontal Beige Marble - Crema Marfil Pillars (pair)								
WPVB (Pillars)	AEON Wave Horizontal Green Granite - Verde Butterfly Pillars (pair)								
WPLA (Pillars)	AEON Wave Horizontal Brown Granite - Labrador Antique Pillars (pair)								



ARMADA

Striking, majestic and bold. This radiator will put you and your home firmly on the map. The versatile design allows great flexibility in the choice of length and number of columns.

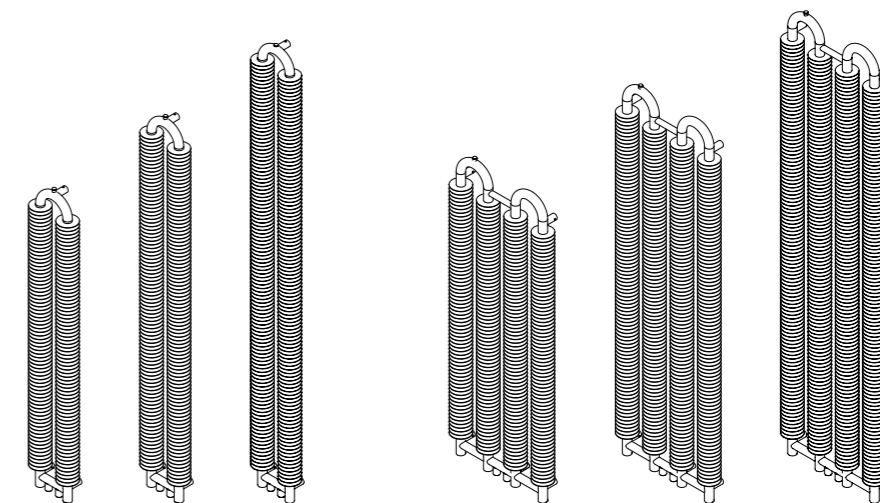
i Model shown on opposite page: ARM1821-S (brushed matt) Above left: ARM1821-P (polished) Above right: ARM1821-G (brushed matt with gold laminated discs)

ARMADA

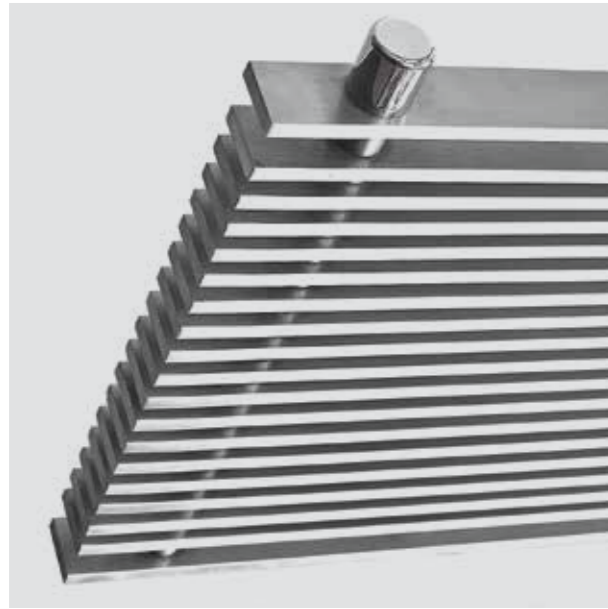
SS MATERIAL
 10 WORKING PRESSURE
 120°C WORKING TEMP.
 O C OPEN/CLOSED SYSTEM
 V H MOUNT POSITION
 20 YEARS WARRANTY

Product Name	Height (mm)	Length (mm)	Depth (mm)	Fuel Options (E/H/D)	Pipes or Sections	Heat Output (BTU/w) ΔT 50	E: Electric only		Finish	
							Choice of Elements (Watts)		S: Brushed Matt	P: Polished
ARM1221	1200	210	95	E/H/D	4	1804 528	300	400	S, P, G	
ARM1521	1500	210	95	E/H/D	4	2295 672	300	400	S, P, G	
ARM1821	1800	210	95	E/H/D	4	2785 816	400	600	S, P, G	
ARM1247	1200	470	95	E/H/D	8	3609 1057	2 x 300		S, P, G	
ARM1547	1500	470	95	E/H/D	8	4590 1344	2 x 400		S, P, G	
ARM1847	1800	470	95	E/H/D	8	5571 1631	2 x 600		S, P, G	

We recommend the 3 Bar Safety Valve for all ELECTRIC ONLY (E) products. Dual Fuel is possible either by use of "T" piece and radiator valve or by use of ONE850 or ONE851 (4 way valve)



Call us on 01908 271155 or visit www.aeon.uk.com



PEGASUS

This design is larger than life. It is tiered against the wall to create an unusual, slimline look that boasts unrivalled attention to detail. What you might call a statement piece.

i Model shown: PAG515-60-S (brushed matt)

PEGASUS

SS MATERIAL
 10 WORKING PRESSURE
 120°C WORKING TEMP.
 O C OPEN/CLOSED SYSTEM
 V H MOUNT POSITION
 20 YEARS WARRANTY

Product Name	Height (mm)	Length (mm)	Depth (mm)	Fuel Options (E/H/D)	Pipes or Sections	Heat Output (BTU/w) ΔT 50		E: Electric only Choice of Elements (Watts)		Finish S: Brushed Matt P: Polished
PAG505-20	510	550	40	E/H/D	20	3039	890	300	400	S,P
PAG510-40	1010	550	40	E/H/D	40	6079	1780	400	600	S,P
PAG515-60	1510	550	40	E/H/D	60	9118	2670	600	900	S,P

We recommend the 3 Bar Safety Valve for all ELECTRIC ONLY (E) products. Dual Fuel is possible either by use of "T" piece and radiator valve or by use of ONE850 or ONE851 (4 way valve)

MERIDIEN

Striking and simple. This tall ladder-style radiator doubles as a towel rail. Its narrow dimensions make it perfect for bathrooms with high ceilings and limited wall space.

i Model shown: MER100-S (brushed matt)



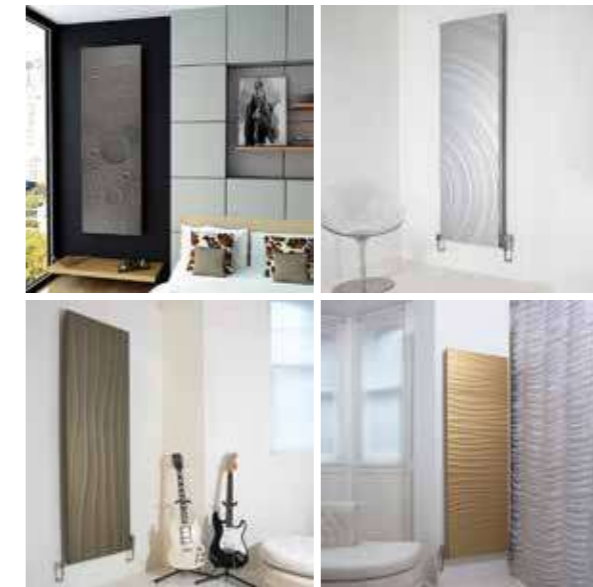
MERIDIEN

SS MATERIAL
 10 WORKING PRESSURE
 120°C WORKING TEMP.
 O C OPEN/CLOSED SYSTEM
 V MOUNT POSITION
 20 YEARS WARRANTY

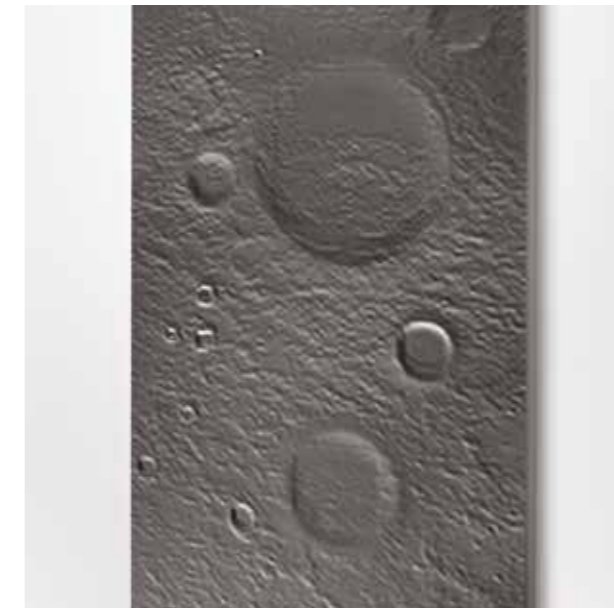
Product Name	Height (mm)	Length (mm)	Depth (mm)	Fuel Options (E/H/D)	Pipes or Sections	Heat Output (BTU/w) ΔT 50		E: Electric only Choice of Elements (Watts)		Finish S: Brushed Matt P: Polished
MER100	1000	330	40	E/H/D	21	1766	517	300		S,P
MER150	1500	330	40	E/H/D	32	2497	731	400	600	S,P
MER180	1800	330	40	E/H/D	39	3173	929	600	900	S,P
MER200	2000	330	40	E/H/D	43	3532	1034	600	900	S,P

We recommend the 3 Bar Safety Valve for all ELECTRIC ONLY (E) products. Dual Fuel is possible either by use of "T" piece and radiator valve or by use of ONE850 or ONE851 (4 way valve)

ALUMINIUM



PLANET MOON	158
STARGATE	160
SESRIEM	162
FLUENT	164



PLANET MOON

The Eagle has landed. Right in your living room, with this stunning show-stopper. Moon crater details bring the galactic theme vividly to life in one of our most unusual radiators.

i Model shown on opposite page: PLAM186 (anodised dark silver)

PLANET MOON

Product Name	Height (mm)	Length (mm)	Depth (mm)	Fuel Options (E/H/D)	Pipes or Sections	Heat Output (BTU/w) ΔT 50
PLAM186	1810	605	45	E/H/D	15	9055 2651

AL MATERIAL | 10 WORKING PRESSURE | 95°C WORKING TEMP. | C CLOSED SYSTEM | V H MOUNT POSITION | 10 YEARS WARRANTY

Anodised dark silver finish (as shown opposite) is available from stock. Other finishes including anodised matt silver and gold are available by special order only.

Travel to the moon's surface with Planet Moon. A showstopper in the AEON Collection, Planet Moon allows you to take home your very own piece of outer space.

A direct replica of our moon's surface, we have perfected the necessary techniques to recreate the intricate rocky appearance you see in the night sky.

Craters from asteroid and comet impacts, dead volcanoes and lava flows litter the moon's surface and are depicted here in an accurate representation.

Constructed from a solid aluminium plate and milled using seven different blades, it takes more than 40 hours to carefully craft each individual Planet Moon radiator. The detail can be felt in the texture of the radiator's surface.



STARGATE

Serenity. Calm. Peace. Look into the ever decreasing circles of this restful design to be transported beyond the stars. We defy you not to relax in front of its zen-like quality.

 Model shown on opposite page and above: STA186

STARGATE

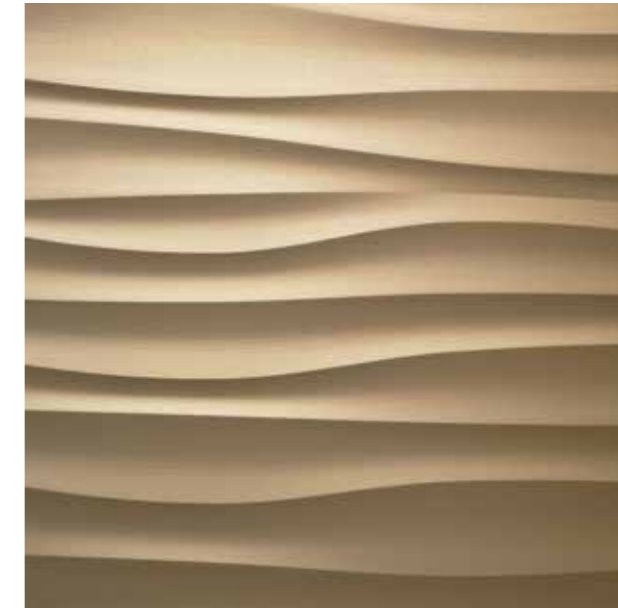
AL MATERIAL
 10 WORKING PRESSURE
 95°C WORKING TEMP.
 C CLOSED SYSTEM
 V H MOUNT POSITION
 10 YEARS WARRANTY

Product Name	Height (mm)	Length (mm)	Depth (mm)	Fuel Options (E/H/D)	Pipes or Sections	Heat Output (BTU/w) ΔT 50	
STA186	1810	605	45	E/H/D	15	9055	2651

Stargate captures that unique moment when a droplet hits a calm pool of still water. The ripple effect travels outwards spreading indefinitely to the very edges of Stargate.


Smooth circular shapes expand limitlessly across the radiator providing texture and motion against an otherwise unbroken and even painted wall.

It is easy to become drawn to Stargate with all of your senses, resisting the curious urge to run your fingers across its wonderfully crafted surface. Stargate is produced in aluminium using specialist technology to create a flawless finish.



SESRIEM

Flowing luxury. Feel yourself relax as you look at this fabulously fluid radiator – then imagine how wonderful its enveloping heat will make you feel. Sink into liquid heaven.

 Model shown on opposite page: SES186

SESRIEM

AL MATERIAL
10 WORKING PRESSURE
95°C WORKING TEMP.
C CLOSED SYSTEM
V H MOUNT POSITION
10 YEARS WARRANTY

Product Name	Height (mm)	Length (mm)	Depth (mm)	Fuel Options (E/H/D)	Pipes or Sections	Heat Output (BTU/w) ΔT 50	
SES186	1810	605	45	E/H/D	15	9055	2651

Sesriem imitates the impressions left behind by the natural motion of drifting sands of the desert.

Organic strokes across the surface replicate the unique, smooth ridges left after the storm has blown across the expanse of an otherwise undisturbed sandscape.

The understated metallic satin gold finish offers an elegant accompaniment to any interior. Escape to your own place of peace and tranquillity with calm and warming presence of Sesriem.



FLUENT

Echoes of oriental tranquillity bring a sense of calm to this beautiful radiator. Its fascinating, organic design will ensure it does not fade into the background.

i Model shown on opposite page and above: FLU186

FLUENT

AL MATERIAL 10 WORKING PRESSURE 95°C WORKING TEMP. C CLOSED SYSTEM V H MOUNT POSITION 10 YEARS WARRANTY

Product Name	Height (mm)	Length (mm)	Depth (mm)	Fuel Options (E/H/D)	Pipes or Sections	Heat Output (BTU/w) ΔT 50	
FLU186	1810	605	45	E/H/D	15	9055	2651

Much like the longitudinal textured pattern found in woodgrain, the natural channels of Fluent meander continuously from one end to another. As the name suggests, Fluent is graceful and effortless in its simple appearance.

Like the treasure of the pattern hidden inside a tree, the grooves are free-flowing and uninterrupted. Fluent can be mounted vertically or horizontally to complement the style of a room.

Almost like a freehand line, long strokes present themselves organically, winding along their journey across the calm aluminium surface.

VALVES & ACCESSORIES



CYH850C



CYH850S



CYH851C



CYH851S



CYH853C



CYH853S



UAW853CT



UAW853ST



UAC109



UAS109



UCW109



CUH853C



CUH850S



CUH851C



CUH851S



CUH850C



CUH853S



QUA850C



QUA850S



QUA851C

VALVES

Product Name	Description	Brushed Matt S	Polished P	Nickel N	White W
CYH850	Cylindrical-30 Angle Manual Rad. Valve + L/S set	✓	✓		
CYH851	Cylindrical-30 Straight Manual Rad. Valve + L/S set	✓	✓		
CYH853	Cylindrical-30 Corner Manual Rad. Valve + L/S set	✓	✓		
CYL850	Cylindrical-25- Angle Manual Rad. Valve + L/S set	✓	✓		
CYL851	Cylindrical-25 Straight Manual Rad. Valve + L/S set	✓	✓		
CUH850	Cubic-30 Angle Manual Rad. Valve + L/S set	✓	✓		
CUH851	Cubic-30 Straight Manual Rad. Valve + L/S set	✓	✓		
CUH853	Cubic-30 Corner Manual Rad. Valve + L/S set	✓	✓		
CUL850	Cubic-25- Angle Manual Rad. Valve + L/S set	✓	✓		
CUL851	Cubic-25 Straight Manual Rad. Valve + L/S set	✓	✓		
QUA850	Quartz-30 Angle Manual Rad. Valve + L/S set		✓		
QUA851	Quartz-30 Straight Manual Rad. Valve + L/S set		✓		
TLB850	Traditional-30 Angle Manual Rad. Valve + L/S set	✓	✓		
BCH850	Barrel-30 Angle Manual Rad. Valve + L/S set		✓		
BCH851	Barrel-30 Straight Manual Rad. Valve + L/S set		✓		
UAW850N	Angle Thermostatic Valve & TRV Head				✓
UAW851N	Straight Thermostatic Valve & TRV Head				✓
UAW850NL	Angle Thermostatic Valve & TRV Head/LS Twin Pack				✓
UAW851NL	Straight Thermostatic Valve & TRV Head/LS Twin Pack				✓
UAW850	Angle Thermostatic Valve		✓		
UAW851	Straight Thermostatic Valve		✓		
UAW853T	Corner Thermostatic Valve & TRV Head	✓	✓		
UA109	TRV Head	✓	✓		✓
RK105	10mm reducing kit - bag of 5 sets		✓		
UD850	Décor angle valve pair complete with 15mm tube connectors	✓	✓		
UD851	Décor straight valve pair complete with 15mm tube connectors	✓	✓		
UD860	Décor swivel valve pair complete with 15mm tube connectors	✓	✓		
UD927	Interaxial swivel 50 valve pair complete with 15mm tube connectors and Domignon sensor	✓	✓		
UD109L	Domignon liquid plastic sensor	✓	✓		
CUB841	CUBE - Manual straight valve pair complete with 15mm tube connectors	✓	✓		
CUB840	CUBE - Manual angle valve pair complete with 15mm tube connectors	✓	✓		
MIN840	MINIMALIST - Manual angle valve pair complete with 15mm tube connectors	✓	✓		
ONE851	ONE - Thermostatic straight valve complete with 15mm tube connectors	✓	✓		
TWI850	TWIN - Thermostatic angle valve complete with 15mm tube connectors	✓	✓		
TWI851	TWIN - Thermostatic straight valve complete with 15mm tube connectors	✓	✓		
COR850	CORNER - Thermostatic angle valve pair complete with 15mm tube connectors	✓	✓		
CYL840	CYLINDER - Manual angle valve pair complete with 15mm tube connectors	✓	✓		
A409	Aeon Liquid Metal Sensor	✓	✓		
A574	Manual Knob for Thermostatic Radiator Valves (TRV)	✓	✓		
A555	PEX/AL/PEX Pipe Adaptor 16-2 mm	✓	✓		
A556	PEX Pipe Adaptor 16-2 mm	✓	✓		
A331	Copper Pipe Adaptor 12mm	✓	✓		
A332	Copper Pipe Adaptor 15mm	✓	✓		
A584	Copper Pipe Adaptor 15mm	✓	✓		
A590	Copper Pipe Adaptor 1/2" 15mm	✓	✓		
A335	Copper Pipe Adaptor 15mm 3/4" EK	✓	✓		
P3015SC14	3/4" x 18 x 10 x 14 Complete Adapting Set for Multilayer Pipe	✓	✓		
P3015SC16	3/4" x 18 x 10 x 16 Complete Adapting Set for Multilayer Pipe	✓	✓		
P925	Straight "H" Valve without by-pass - nickel plated			✓	
P926	Angle "H" Valve without by-pass - nickel plated			✓	
P915	Straight "H" Valve with by-pass - nickel plated			✓	
P916	Angle "H" Valve with by-pass - nickel plated			✓	
P995P	Drain device			✓	
P3625	3/4" BSP x 15mm Copper Tube Connector	✓	✓	✓	



HE/POS RANGE



AES



MOBUS CHROME

FITTINGS

Product Name	Description	Brushed Matt S	Polished P	Nickel N
90MF12	1/2" BSP male to female stainless steel square elbow	✓	✓	
180MF12S	1/2" BSP male to female stainless steel straight 10mm (Short)	✓	✓	
180MF12L	1/2" BSP male to female stainless steel straight 30mm (Long)	✓	✓	
180MF34S	3/4" BSP male to female stainless steel straight 10mm (Short)	✓	✓	
180MF34L	3/4" BSP male to female stainless steel straight 30mm (Long)	✓	✓	
180FF1234	3/4" BSP female to 1/2" female stainless steel straight	✓	✓	
90SL	100 + 100 mm long 15mm in diameter elbow stainless steel tube	✓	✓	
180SL	200mm long 155 in diameter straight stainless steel tube	✓	✓	
SPF	1/2" BSP Straight Male Push Fit to 15mm tube (Nickel plated)			✓

HEATING ELEMENTS

Product Name	Description	Brushed Matt S	Polished P	Nickel N	White W
HE90	90w Heating element with 70°C thermostat, 127°C thermal fuse, cable length 1500mm, rod length 205mm			✓	
HE150	150w Heating element with 70°C thermostat, 127°C thermal fuse, cable length 1500mm, rod length 300mm			✓	
HE300	300w Heating element with 70°C thermostat, 127°C thermal fuse, cable length 1500mm, rod length 450mm			✓	
HE400	400w Heating element with 70°C thermostat, 127°C thermal fuse, cable length 1500mm, rod length 550mm			✓	
HE600	600w Heating element with 70°C thermostat, 127°C thermal fuse, cable length 1500mm, rod length 760mm			✓	
HE900	900w Heating element with 70°C thermostat, 127°C thermal fuse, cable length 1500mm, rod length 1050mm			✓	
HE250d	200w DRY Heating element kit with 150°C thermostat, 185°C thermal fuse, cable length 1500mm, rod length 550mm			✓	
HE300d	300w DRY Heating element kit with 150°C thermostat, 185°C thermal fuse, cable length 1500mm, rod length 650mm			✓	
HE400d	400w DRY Heating element kit with 150°C thermostat, 185°C thermal fuse, cable length 1500mm, rod length 850mm			✓	
HE600d	600w DRY Heating element kit with 150°C thermostat, 185°C thermal fuse, cable length 1500mm, rod length 1500mm			✓	
HES340	340w Heating element, PTC self regulation, cable length 1500mm, rod length 240mm			✓	
HES400	400w Heating element, PTC self regulation, cable length 1500mm, rod length 240mm			✓	
POS400	400w Poseidon Heating element with 70°C thermostat, 127°C thermal fuse, cable length 1500mm, rod length 550mm	✓	✓		
POS600	600w Poseidon Heating element with 70°C thermostat, 127°C thermal fuse, cable length 1500mm, rod length 760mm	✓	✓		
AQ300	300w Aquarius Heating element with 70°C thermostat, 127°C thermal fuse, cable length 1500mm, rod length 450mm	✓	✓		
AQ600	600w Aquarius Heating element with 70°C thermostat, 127°C thermal fuse, cable length 1500mm, rod length 760mm	✓	✓		
AES400	400w Aeon Dimhead Heating element - Straight type	✓	✓		
AES600	600w Aeon Dimhead Heating element - Straight type	✓	✓		
MB150	150w Mobus PTC Heating element, cable length 900mm, Class I insulation		✓		✓
MB300	300w Mobus PTC Heating element, cable length 900mm, Class I insulation		✓		✓
MB600	600w Mobus PTC Heating element, cable length 900mm, Class I insulation		✓		✓
STCN-1	Stoke Control Box, Bluetooth Low Energy, Class I insulation (for UK +)		✓		✓
STCN-2	Stoke Control Box, Bluetooth Low Energy, Class II insulation (for France)		✓		✓
ST150-1	150w Stoke heating element rod for Stoke Control Unit, Class I Insulation (for UK+)				✓
ST400-1	400w Stoke heating element rod for Stoke Control Unit, Class I Insulation (for UK+)				✓
ST600-1	600w Stoke heating element rod for Stoke Control Unit, Class I Insulation (for UK+)				✓
ST900-1	900w Stoke heating element rod for Stoke Control Unit, Class I Insulation (for UK+)				✓
ST150-2	150w Stoke heating element rod for Stoke Control Unit, Class II Insulation (for France)				✓
ST400-2	400w Stoke heating element rod for Stoke Control Unit, Class II Insulation (for France)				✓
ST600-2	600w Stoke heating element rod for Stoke Control Unit, Class II Insulation (for France)				✓
ST900-2	900w Stoke heating element rod for Stoke Control Unit, Class II Insulation (for France)				✓
3BV	1/2" BSP 3Bar Valve for Electric only Towel rails - Nickel Plated only			✓	
WPC600	600w Wall Plate Controller for standard heating cartridge		✓		✓
P1300	16mm Pattress Box (supplied min 10pcs in a carton)				✓
P1400	25mm Pattress Box (supplied min 10pcs in a carton)				✓



BHC



VHC



TPHC



TRC



TDC

HEAT TRANSFER LIQUID

Product Name	Description
7HTL	Heat transfer liquid for up to 750mm high rails
9HTL	Heat transfer liquid for up to 900mm high rails
11HTL	Heat transfer liquid for 1200mm high rails
17HTL	Heat transfer liquid for 1800mm high rails
20HTL	Heat transfer liquid for up to 2000mm high rails and for all Aeon Products

CLIP-ON ACCESSORIES

Product Name	Description	Polished P
BH	Button Robe Hanger (pair)	✓
VH	V Hook (pair)	✓
TPH	Toilet Paper Holder	✓
TR	Towel Ring	✓
TD	Towel Dryer	✓

DUAL FUEL COMPONENTS

Product Name	Description	Brushed Matt S	Polished P	Nickel N
TP	1/2" BSP T piece for dual fuel operation	✓	✓	
4w-TRV+	4 way radiator valve with thermostatic control (white sensor and nickel plated body)			✓



SJA



SJP



SJA157 + C1574



SJP154 + C1574



SJAC-H



SJPC-H



ASJA

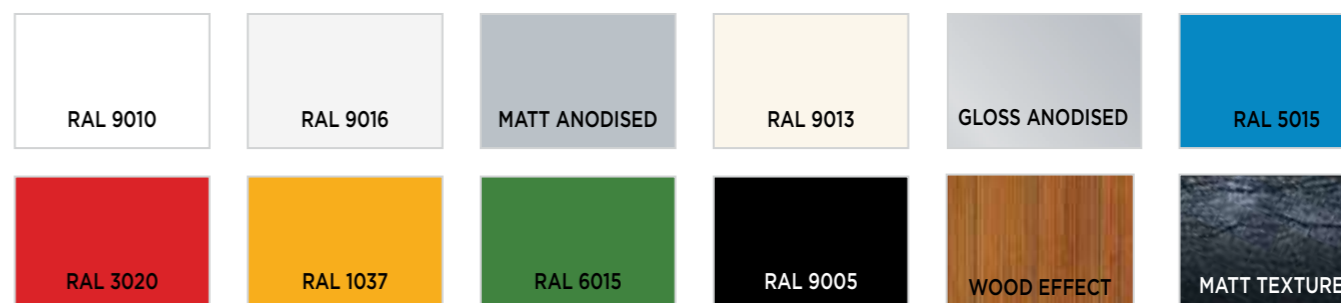


SPF

ACCESSORIES

Product Name	Description	Brushed Matt S	Polished P	Nickel N	Other
CLRAL	Other RAL colours				✓
SJA	1/2" Standard Airvent with "O" ring - Nickel Plated			✓	
SJP	1/2" Standard Plug with "O" ring - Nickel Plated			✓	
SJA-w	1/2" Standard Nickel Airvent with "O" ring and wh. plastic water diverter			✓	
SJA157	1/2" type157 Nickel Airvent Flat D26 Hex 8 1/2" EPDM			✓	
SJP154	1/2" type157 Nickel Plug Flat D26 Hex 8 1/2" EPDM			✓	
C1574	Plastic cup for type 157 airvent and 154 plug	✓	✓	✓	
SJAC-h	1/2" Designer Chrome Airvent with "O" ring, Semi-Auto		✓		
SJPC-h	1/2" Designer Chrome Plug with "O" ring		✓		
ASJA	1/2" Full Automatic Airvent with changeable cartridge				✓
SPF	1/2" BSP Straight Male to 15mm pipe Push fit - Nickel Plated Only			✓	

COLOUR CHART ALUMINIUM



PITACS LTD TERMS & CONDITIONS OF SALE

The buyer's attention is in particular drawn to the provisions of condition 10.4.

- 1. Interpretation**
 - 1.1 The definitions and rules of interpretation in this condition apply in these conditions.
 - 1.2 Buyer: the person, firm or company who purchases the Goods from the Seller.
 - 1.3 Contract: any contract between the Seller and the Buyer for the sale and purchase of the Goods, incorporating these conditions.
 - 1.4 Delivery Point: the place where delivery of the Goods is to take place under condition 4.
 - 1.5 Goods: any goods agreed in the Contract to be supplied to the Buyer by the Seller (including any part or parts of them).
 - 1.6 Seller: Pitacs Limited trading as Ultraheat and/or Aeon.
 - 1.7 Words in the singular include the plural and in the plural include the singular.
 - 1.8 A reference to one gender includes a reference to the other gender.
 - 1.9 Condition headings do not affect the interpretation of these conditions.
- 2. Application of terms**
 - 2.1 Subject to any variation under condition 2.3 the Contract shall be on these conditions to the exclusion of all other terms and conditions (including any terms or conditions which the Buyer purports to apply under any purchase order, confirmation of order, specification or other document).
 - 2.2 No terms or conditions endorsed on, delivered with or contained in the Buyer's purchase order, confirmation of order, specification or other document shall form part of the Contract simply as a result of such document being referred to in the Contract.
 - 2.3 These conditions apply to all the Seller's sales and any variation to these conditions and any representations about the Goods shall have no effect unless expressly agreed in writing and signed by a director of the Seller. The Buyer acknowledges that it has not relied on any statement, promise or representation made or given by or on behalf of the Seller which is not set out in the Contract. Nothing in this condition shall exclude or limit the Seller's liability for fraudulent misrepresentation.
 - 2.4 Each order or acceptance of a quotation for Goods by the Buyer from the Seller shall be deemed to be an offer by the Buyer to buy Goods subject to these conditions.
 - 2.5 No order placed by the Buyer shall be deemed to be accepted by the Seller until a written acknowledgement of order is issued by the Seller or (if earlier) the Seller delivers the Goods to the Buyer.
 - 2.6 The Buyer shall ensure that the terms of its order and any applicable specification are complete and accurate.
 - 2.7 Any quotation is given on the basis that no Contract shall come into existence until the Seller despatches an acknowledgement of order to the Buyer. Any quotation is valid for a period of 30 days only from its date, provided that the Seller has not previously withdrawn it.
- 3. Description**
 - 3.1 The quantity and description of the Goods shall be as set out in the Seller's quotation or acknowledgement of order.
 - 3.2 All samples, drawings, descriptive matter, specifications and advertising issued by the Seller and any descriptions or illustrations contained in the Seller's catalogues or brochures are issued or published for the sole purpose of giving an approximate idea of the Goods described in them. They shall not form part of the Contract and this is not a sale by sample.
- 4. Delivery**
 - 4.1 Unless otherwise agreed in writing by the Seller, delivery of the Goods shall take place at the Seller's place of business.
 - 4.2 The Buyer shall take delivery of the Goods within 10 days of the Seller giving it notice that the Goods are ready for delivery.
 - 4.3 Any dates specified by the Seller for delivery of the Goods are intended to be an estimate and time for delivery shall not be made of the essence by notice. If no dates are so specified, delivery shall be within a reasonable time.
 - 4.4 Subject to the other provisions of these conditions the Seller shall not be liable for any direct, indirect or consequential loss (all three of which terms include, without limitation, pure economic loss, loss of profits, loss of business, depletion of goodwill and similar loss), costs, damages, charges or expenses caused directly or indirectly by any delay in the delivery of the Goods (even if caused by the Seller's negligence), nor shall any delay entitle the Buyer to terminate or rescind the Contract unless such delay exceeds 180 days.
 - 4.5 If for any reason the Buyer fails to accept delivery of any of the Goods when they are ready for delivery, or the Seller is unable to deliver the Goods on time because the Buyer has not provided appropriate instructions, documents, licences or authorisations:
 - (a) risk in the Goods shall pass to the Buyer (including for loss or damage caused by the Seller's negligence);
 - (b) the Goods shall be deemed to have been delivered; and
 - (c) the Seller may store the Goods until delivery, whereupon the Buyer shall be liable for all related costs and expenses (including, without limitation, storage and insurance).
 - 4.6 The Buyer shall provide at the Delivery Point and at its expense adequate and appropriate equipment and manual labour for loading the Goods. The Seller's delivery personnel shall not
 - (a) deliver Goods to any place at the Delivery Point beyond the ground level hard surface nearest to the Seller's vehicle; nor
 - (b) carry Goods up steps.
 - 4.7 The Seller may deliver the Goods by separate instalments. Each separate instalment shall be invoiced and paid for in accordance with the provisions of the Contract.
 - 4.8 Each instalment shall be a separate Contract and no cancellation or termination of any one Contract relating to an instalment shall entitle the Buyer to repudiate or cancel any other Contract or instalment.
 - 4.9 Unless the Buyer has ordered and paid for a special timed delivery at a time and place agreed by the Seller, the time of delivery shall be at any time on the date of delivery between 9am and 5pm.
 - 4.10 The Buyer or its representative shall attend at the Delivery Point on the date and at the time of delivery and shall:
 - (a) forthwith inspect the outside of all packages before signing the delivery note on which note the inspector shall record all and any damage or short delivery;
 - (b) within 24 hours of delivery
 - (i) unpack and thoroughly inspect the Goods received; and
 - (ii) check the Goods received against the Goods ordered; and
 - (iii) report forthwith to the Seller any visible faults or imperfections and any missing Goods or parts thereof; and
 - (iv) retain the packaging and delivery documentation of any faulty or imperfect Goods for inspection by the Seller; and
 - (v) not install, adapt, sell or dispose of (nor permit any other person to install, adapt, sell or dispose of) any Goods which the Buyer and/or the person inspecting the delivered Goods has found to be faulty, imperfect or incomplete.
 - 5. Non-delivery**
 - 5.1 The quantity of any consignment of Goods as recorded by the Seller on despatch from the Seller's place of business shall be conclusive evidence of the quantity received by the Buyer on delivery unless the Buyer can provide conclusive evidence proving the contrary.
 - 5.2 The Seller shall not be liable for any non-delivery of Goods (even if caused by the Seller's negligence) unless the Buyer gives written notice to the Seller of the non-delivery within 4 days of the date when the Goods would in the ordinary course of events have been received.
 - 5.3 Any liability of the Seller for non-delivery of the Goods shall be limited to replacing the Goods within a reasonable time or issuing a credit note at the pro rata Contract rate against any invoice raised for such Goods.
 - 6. Risk/title**
 - 6.1 The Goods are at the risk of the Buyer from the time of delivery.
 - 6.2 All Goods supplied by the Seller free of charge remain at all times the property of the Seller unless and until the Seller has agreed in writing to sell such Goods to the Buyer and has

- 6.3 Ownership of the Goods shall not pass to the Buyer until the Seller has received in full (in cash or cleared funds) all sums due to it in respect of:
 - (a) the Goods; and
 - (b) all other sums which are or which become due to the Seller from the Buyer on any account.
- 6.4 Until ownership of the Goods has passed to the Buyer, the Buyer shall:
 - (a) hold the Goods on a fiduciary basis as the Seller's bailee;
 - (b) store the Goods (at no cost to the Seller) separately from all other goods of the Buyer or any third party in such a way that they remain readily identifiable as the Seller's property;
 - (c) not destroy, deface or obscure any identifying mark or packaging on or relating to the Goods; and
 - (d) maintain the Goods in satisfactory condition and keep them insured on the Seller's behalf for their full price against all risks to the reasonable satisfaction of the Seller. On request the Buyer shall produce the policy of insurance to the Seller.
- 6.5 The Buyer may resell the Goods before ownership has passed to it solely on the following conditions:
 - (a) any sale shall be effected in the ordinary course of the Buyer's business at full market value; and
 - (b) any such sale shall be a sale of the Seller's property on the Buyer's own behalf and the Buyer shall deal as principal when making such a sale.
- 6.6 The Buyer's right to possession of the Goods shall terminate immediately if:
 - (a) the Buyer has a bankruptcy order made against him or makes an arrangement or composition with his creditors, or otherwise takes the benefit of any statutory provision for the time being in force for the relief of insolvent debtors, or (being a body corporate) convenes a meeting of creditors (whether formal or informal), or enters into liquidation (whether voluntary or compulsory) except a solvent voluntary liquidation for the purpose only of reconstruction or amalgamation, or has a receiver and/or manager, administrator or administrative receiver appointed of its undertaking or any part thereof, or documents are filed with the court for the appointment of an administrator of the Buyer or notice of intention to appoint an administrator is given by the Buyer or its directors or by a qualifying floating charge holder (as defined in paragraph 14 of Schedule B1 to the Insolvency Act 1986), or a resolution is passed or a petition presented to any court for the winding-up of the Buyer or for the granting of an administration order in respect of the Buyer, or any proceedings are commenced relating to the insolvency or possible insolvency of the Buyer; or
 - (b) the Buyer suffers or allows any execution, whether legal or equitable, to be levied on his/its property or obtained against him/it, or fails to observe or perform any of his/its obligations under the Contract or any other contract between the Seller and the Buyer, or is unable to pay its debts within the meaning of section 123 of the Insolvency Act 1986 or the Buyer ceases to trade; or
 - (c) the Buyer endorses or in any way charges any of the Goods.
- 6.7 The Seller shall be entitled to recover payment for the Goods notwithstanding that ownership of any of the Goods has not passed from the Seller.
- 6.8 The Buyer grants the Seller, its agents and employees an irrevocable licence at any time to enter any premises where the Goods are or may be stored in order to inspect them, or, where the Buyer's right to possession has terminated, to recover them.
- 6.9 Where the Seller is unable to determine whether any Goods are the goods in respect of which the Buyer's right to possession has terminated, the Buyer shall be deemed to have sold all goods of the kind sold by the Seller to the Buyer in the order in which they were invoiced to the Buyer.
- 6.10 On termination of the Contract, howsoever caused, the Seller's (but not the Buyer's) rights contained in this condition 6 shall remain in effect.
- 7. Price**
 - 7.1 Unless otherwise agreed by the Seller in writing, the price for the Goods shall be the price set out in the Seller's price list published on the date of delivery or deemed delivery.
 - 7.2 The price for the Goods shall be exclusive of any value added tax and all costs or charges in relation to packaging, loading, unloading, carriage and insurance, all of which amounts the Buyer shall pay in addition when it is due to pay for the Goods provided that in respect of Goods delivered within Great Britain the price of Goods shall include:
 - (a) packaging, loading, unloading, and an element of insurance cover (for details of which cover please contact the Seller); and
 - (b) (for each order that is confirmed by the Seller to exceed its minimum order quantity in respect of that product type and delivery destination) the cost of carriage.
- 8. Payment**
 - 8.1 Unless otherwise agreed, the Buyer shall pay in full the price for the Goods in pounds at the time of placing its order with the Seller.
 - 8.2 Subject to condition 8.4, payment of the full balance of the price for the Goods is due in pounds sterling on the last working day of the month in which the Goods are delivered or deemed to be delivered.
 - 8.3 Time for payment shall be of the essence.
 - 8.4 No payment shall be deemed to have been received until the Seller has received cleared funds.
 - 8.5 All payments payable to the Seller under the Contract shall become due immediately on its termination despite any other provision.
 - 8.6 The Buyer shall make all payments due under the Contract in full without any deduction whether by way of set-off, counterclaim, discount, abatement or otherwise unless the Buyer has a valid court order requiring an amount equal to such deduction to be paid by the Seller to the Buyer.
 - 8.7 If the Buyer fails to pay the Seller any sum due pursuant to the Contract, the Buyer shall be liable to pay interest to the Seller on such sum from the due date for payment at the annual rate of 2% above the base lending rate from time to time of Barclays Bank, accruing on a daily basis until payment is made, whether before or after any judgment. The Seller reserves the right to elect to claim interest under the Late Payment of Commercial Debts (Interest) Act 1998.
- 9. Quality**
 - 9.1 Where the Seller is not the manufacturer of the Goods, the Seller shall endeavour to transfer to the Buyer the benefit of any warranty or guarantee given to the Seller.
 - 9.2 The Seller warrants that (subject to the other provisions of these conditions):
 - (a) on delivery, and for a period of 12 months from the date of delivery, the Goods shall:
 - (i) be of satisfactory quality within the meaning of the Sale of Goods Act 1979; and
 - (ii) be reasonably fit for any particular purpose for which the Goods are being bought if the Buyer had made known that purpose to the Seller in writing and the Seller has confirmed in writing that it is reasonable for the Buyer to rely on the skill and judgement of the Seller; and
 - (b) on delivery, and for a period of 24 months from the date of delivery, electrical appliances shall be free from material defects resulting from faulty manufacture or workmanship; and
 - (c) on delivery, and for a period of 5 years from the date of delivery, Ultraheat Kitchen and Bathroom radiators (excluding Goods falling within the foregoing sub-section (b)) shall be free from material defects resulting from faulty manufacture or workmanship; and
 - (d) on delivery, and for a period of 10 years from the date of delivery, Ultraheat Premier Range (excluding Goods falling within the foregoing sub-sections (b) or (c)) shall be free from material defects resulting from faulty manufacture or workmanship; and
 - (e) on delivery, and for a period of 10 years from the date of delivery, Aeon steel products (excluding Goods falling within the foregoing sub-sections (b), (c) or (d)) shall be free from leakage resulting from material defects due to faulty manufacture or workmanship.
 - 9.3 The Seller shall not be liable for a breach of any of the warranties in condition 9.2 unless:

- (a) the Buyer has complied with its obligations under these terms and conditions, in particular (without limitation) the Buyer's obligations pursuant to clause 4.10 above to inspect all Goods upon and immediately following delivery and notify the Seller promptly and in full of faulty, imperfect or incomplete Goods; and
- (b) the Buyer gives written notice of the defect to the Seller, and, if the defect is as a result of damage in transit to the carrier, within 3 days of the time when the Buyer discovers or ought to have discovered the defect; and
- (c) the Seller is given a reasonable opportunity after receiving the notice of examining such Goods and the Buyer (if asked to do so by the Seller) returns such Goods to the Seller's place of business at the Seller's cost for the examination to take place there.
- 9.4 The Seller shall not be liable for a breach of any of the warranties in condition 9.2 if:
 - (a) the Buyer makes any further use of such Goods after giving such notice; or
 - (b) the defect arises because the Buyer failed to follow the Seller's oral or written instructions as to the storage, installation, commissioning, use or maintenance of the Goods or (if there are none) good trade practice; or
 - (c) the serial numbers on the Goods have been removed, erased, concealed or for any other reason are unavailable; or
 - (d) the defect in question arises in whole or in part from reasonable wear and tear; or
 - (e) the Goods have not been installed with reasonable competence and in accordance with the best industry standards in the UK for professional installation of heating and plumbing; or
 - (f) the Buyer alters or repairs such Goods without the written consent of the Seller.
- 9.5 Subject to condition 9.3 and condition 9.4, if any of the Goods do not conform with either of the warranties in condition 9.2 the Seller shall at its option repair or replace such Goods (or the defective part) or refund the price of such Goods at the pro rata Contract rate provided that, if the Seller so requests, the Buyer shall, at the Seller's expense, return the Goods or the part of such Goods which is defective to the Seller.
- 9.6 If the Seller complies with condition 9.5 it shall have no further liability for a breach of any of the warranties in condition 9.2 in respect of such Goods.
- 9.7 Any Goods replaced shall belong to the Seller and any repaired or replacement Goods shall be guaranteed on these terms for the unexpired portion of the 12 month period.
- 10. Limitation of liability**
 - 10.1 Subject to condition 4, condition 5 and condition 9, the following provisions set out the entire financial liability of the Seller (including any liability for the acts or omissions of its employees, agents and sub-contractors) to the Buyer in respect of:
 - (a) any breach of these conditions;
 - (b) any use made or resale by the Buyer of any of the Goods, or of any product incorporating any of the Goods; and
 - (c) any representation, statement or tortious act or omission including negligence arising under or in connection with the Contract.
 - 10.2 All warranties, conditions and other terms implied by statute or common law (save for the conditions implied by section 12 of the Sale of Goods Act 1979) are, to the fullest extent permitted by law, excluded from the Contract.
 - 10.3 Nothing in these conditions excludes or limits the liability of the Seller:
 - (a) for death or personal injury caused by the Seller's negligence; or
 - (b) under section 2(3), Consumer Protection Act 1987; or
 - (c) for any matter which it would be illegal for the Seller to exclude or attempt to exclude its liability; or
 - (d) for fraud or fraudulent misrepresentation.
 - 10.4 Subject to condition 10.2 and condition 10.3:
 - (a) the Seller's total liability in contract, tort (including negligence or breach of statutory duty), misrepresentation, restitution or otherwise, arising in connection with the performance or contemplated performance of the Contract shall be limited to the Contract price; and
 - (b) the Seller shall not be liable to the Buyer for indirect or consequential loss of profit or loss of business which arise out of or in connection with the Contract.
- 11. Assignment**
 - 11.1 The Seller may assign the Contract or any part of it to any person, firm or company.
 - 11.2 The Buyer shall not be entitled to assign the Contract or any part of it without the prior written consent of the Seller.
- 12. Force majeure**

The Seller reserves the right to defer the date of delivery or to cancel the Contract or reduce the volume of the Goods ordered by the Buyer (without liability to the Buyer) if it is prevented from or delayed in the carrying on of its business due to circumstances beyond the reasonable control of the Seller including, without limitation, acts of God, governmental actions, war or national emergency, acts of terrorism, protests, riot, civil commotion, fire, explosion, flood, epidemic, lock-outs, strikes or other labour disputes (whether or not relating to either party's workforce), or restraints or delays affecting carriers or inability or delay in obtaining supplies of adequate or suitable materials, provided that, if the event in question continues for a continuous period in excess of 90 days, the Buyer shall be entitled to give notice in writing to the Seller to terminate the Contract.
- 13. General**
 - 13.1 Each right or remedy of the Seller under the Contract is without prejudice to any other right or remedy of the Seller whether under the Contract or not.
 - 13.2 If any provision of the Contract is found by any court, tribunal or administrative body of competent jurisdiction to be wholly or partly illegal, invalid, void, voidable, unenforceable or unreasonable it shall to the extent of such illegality, invalidity, voidness, voidability, unenforceability or unreasonableness be deemed severable and the remaining provisions of the Contract and the remainder of such provision shall continue in full force and effect.
 - 13.3 Failure or delay by the Seller in enforcing or partially enforcing any provision of the Contract shall not be construed as a waiver of any of its rights under the Contract.
 - 13.4 Any waiver by the Seller of any breach of, or any default under, any provision of the Contract by the Buyer shall not be deemed a waiver of any subsequent breach or default and shall in no way affect the other terms of the Contract.
 - 13.5 The parties to the Contract do not intend that any term of the Contract shall be enforceable by virtue of the Contracts (Rights of Third Parties) Act 1999 by any person that is not a party to it.
 - 13.6 The formation, existence, construction, performance, validity and all aspects of the Contract shall be governed by English law and the parties submit to the exclusive jurisdiction of the English courts.
- 14. Communications**
 - 14.1 All communications between the parties about the Contract shall be in writing and delivered by hand or sent by pre-paid first class post or sent by fax:
 - (a) (in case of communications to the Seller) to its registered office or such changed address as shall be notified to the Buyer by the Seller; or
 - (b) (in the case of the communications to the Buyer) to the registered office of the addressee (if it is a company) or (in any other case) to any address of the Buyer set out in any document which forms part of the Contract or such other address as shall be notified to the Seller by the Buyer.
 - 14.2 Communications shall be deemed to have been received:
 - (a) if sent by pre-paid first class post, two days (excluding Saturdays, Sundays and bank and public holidays) after posting (exclusive of the day of posting); or
 - (b) if delivered by hand, on the day of delivery; or
 - (c) if sent by fax on a working day prior to 4.00 pm, at the time of transmission and otherwise on the next working day.
 - 14.3 Communications addressed to the Seller shall be marked for the attention of Mr Saffet Kalender.

Terms and Conditions are available as a PDF file upon request. Alternatively, they can be downloaded from our website.

BASIC HEAT LOSS CALCULATOR

According to EN 442, inlet water temperature of 75°C, outlet water temperature of 65°C, and room temperature of 20°C are assumed. All heat output figures published in our publications are aligned to EN442.

The total heat output of the radiator you choose must compensate for the heat loss of your room so that it will maintain the interior temperature at 20°C. The following calculation will give you indication of your heat loss. If you would like to take into account all the factors affecting the heat loss, then you will need to use the more comprehensive heat loss calculator available at www.aeon.uk.com

If you have limited space or a very large room, you can always put more than one radiator per room.

Preferably you should locate radiators near windows and doors where heat loss is highest.

Measure your living room in metres:

Height_m : Length_m : Depth_m

ie : H:2.64m, L:3.65m, D:4.94m

Calculate the volume of the room:

H x L x D = cubic metres

ie : 2.64 x 3.65 x 4.94 = 47.60 cubic metres

Multiply by a coefficient for each desired room temperature:

42: bedrooms (to achieve 18°C)

52: bathrooms, wc, living, study, dining etc (to achieve 21°C)

ie : living room (52): 47.60 x 52 = 2475 watts

The heat loss in the living room is 2475 watts, but there are following factors we need to consider for a better result – we need to add 10% for every factor given here below.

- Outside walls, if it is a corner room calculate two outside walls, which means (10% and 10%)

- Northern aspect room

- Ceiling height more than 2.7m

- Excessively large windows

- Single glaze

- Outside temperature assumed as -1°C, but if you would like to assume -2°C add 10%, -4°C add another 10%, -10°C add another 10%

ie : One outside wall, excessive window, 2475 x 1.1 x 1.1 = 2970 watts or 2554 kcal or 10144 btu – the final heat loss calculation.

DELIVERY AND RECEIPT OF YOUR GOODS

Do not book your plumber until goods have been delivered and checked.

Date of delivery

For items in stock a suitable delivery date should be arranged at time of order.

For out-of-stock items, an estimated delivery time will be stated on the invoice/receipt.

Please note that the estimated delivery date does not form part of the contract.

Time of delivery

Standard service is any time between 9am and 5pm. Timed deliveries can be made but at an extra cost.

In some instances it may therefore be more convenient to have items delivered to a work address where someone is present to sign for them. In the unlikely event that goods do not arrive before 5pm (for standard service, or the relevant time for a timed delivery), please let us know the following or same day.

Meeting the delivery

Someone will need to be at the delivery address on the day of delivery.

Outside packaging should be inspected before signing the delivery note*. If there is no-one available to sign for delivery, arrangements will be made to re-deliver at an additional cost to the customer.

*If parcels are damaged or have been tampered with in any way they should not be signed for unless marked 'DAMAGED' or 'SHORT DELIVERED'.

No claim for damage in transit or shortage will be accepted if signed for 'RECEIVED IN GOOD CONDITION' or 'UNCHECKED' or 'NOT EXAMINED'.

Please note that, due to Health and Safety legislation, the driver is only allowed to deliver radiators to the nearest hard standing (pavement or driveway) and is not required to carry the radiators up any steps.

Where a radiator is too large or heavy for one man to handle safely, please ensure someone is available at the delivery address to assist the driver.

Within 24 hours of receiving radiators

Please unwrap and thoroughly inspect goods. Any visible fault or imperfection (or missing parts) must be reported to Aeon within one working day (24 hours) of receipt to enable us to send a replacement, otherwise goods shall be deemed to be acceptable.

A content sheet will be enclosed in the box with the radiator to enable you to check that all parts are present.

In the unlikely event that your radiator is visibly faulty, please ensure that you retain all the original packaging. We cannot accept back any radiator on the grounds of visible damage or visible fault if it has been plumbed in.

Pipe centres

We can provide information on the exact position of pipework for any of our radiators.

This means the pipework can be installed before you receive your radiators. Please call if you require these measurements.



QUALITY AND PERFORMANCE

Quality and technology

Aeon towel radiators are manufactured using the most technically advanced, modern equipment and tested to EN442, the harmonised European Standard.

Testing and heating emission

Prior to despatch, every radiator is pressure tested at 10 bars to guarantee a working pressure of 8 bars.

Heat outputs in this brochure are certified by the independent testing authority – HKL Laboratories of Stuttgart in Germany.

Certification

Aeon radiators carry the BS kitemark, which certifies independent approval of heat output to BS EN442 and verifies production under BS ISO 9000 quality system.

Energy and environment

The efficient use of energy and materials is a constant objective of Aeon and a highly qualified team of design and production engineers constantly reviews opportunities for improvement.

Water treatment

The manufacturer's warranty will only be valid if radiators are installed in accordance with BS 5449 section 5 'Commissioning'.

Please call for further Aeon terms and conditions of sale.

The Aeon Collection

All the products are manufactured out of 100% stainless steel* ensuring that the Aeon Collection will keep their good looks for as long as the name suggests.

Our commitment to quality is backed by a 20-year warranty for the stainless steel collection and 10-year warranty for the aluminium collection.

Radiators are supplied with brackets, blanking plugs, airvents, fixing screws, rawl plugs, airvent key and 1/2" connections.

* Not applicable to Rende (mild steel core)

Heat output listed in this brochure as 75/65/20°C with Delta T of 50°C, means 75°C inlet water temperature, 65°C outlet water temperature and 20°C room temperature.

Aeon stainless steel radiators can be used in both direct (open circuit) and indirect (closed circuit) applications. Open systems are supplied by special order only at a small additional cost. Closed systems are available from stock.

Radiators are finished in brushed satin chrome stainless steel with no coating or treatment.

Aeon policy

Ownership and property rights of the designs in this publication belong to Aeon and are registered in the UK and major trade mark and design registry offices worldwide.

The complete Aeon range is not limited to the content of this brochure, additional products launched between publications will appear on our website: www.aeon.uk.com



THE HEART OF THE HOME

The kitchen is the heart of the home. It is where the family's meals are prepared and eaten, dishes washed and confidences shared over a cuppa. We spend a great deal of time in our kitchens, one way or another, so it is crucial to have flawless heating available on tap. Designers are paying kitchens far more attention these days, and results have been stunning. Statement ovens, clever lighting, funky storage... why should the fun stop when it comes to heating the room?

When it comes to kitchen heating, you can opt for tall and elegant or run with bold, square and reassuringly chunky. Either way, it is perfectly possible to combine visual appeal with unfailing reliability. At AEON, we pride ourselves on providing just that winning combination. Could your kitchen benefit from a bit of extra warmth?



PAYING TRIBUTE TO A COSY HOME

‘There’s no place like home,’ declared Dorothy in the 1939 film, The Wizard of Oz. And she was right. Especially when the home in question is warm and cosy - a haven from the stresses of the outside world. Even when Dorothy was having fun in Oz, her thoughts never strayed far from her beloved home.

There really is nothing better than coming back to a warm home after a day’s adventures, ready to snuggle down next to a warm radiator, or to add some fluffy towels to the heated rail in the bathroom, ready to step into after a relaxing bath.

Our radiators and towel rails come with a reassuring 20-year warranty for the Stainless Steel collection and 10-year warranty for the Aluminium collection to make sure your home remains warm. Now that’s something worth getting back to, no matter how long the journey on the yellow brick road might be.



Stainless Steel Collection



Aluminium Collection





Aeon UK Distributors

Pitacs Limited

Bradbourne Point, Bradbourne Drive

Tilbrook, Milton Keynes

Buckinghamshire MK7 8AT

United Kingdom

Tel: 01908 271155

Fax: 01908 640017

Email: aeon@pitacs.com

www.aeon.uk.com

