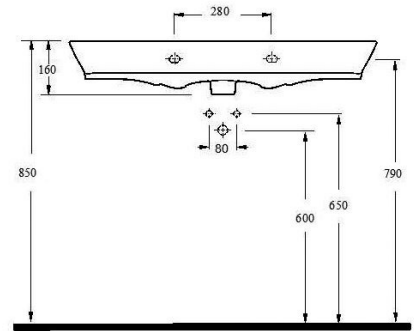
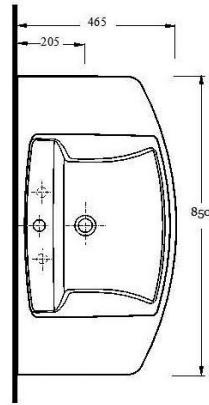
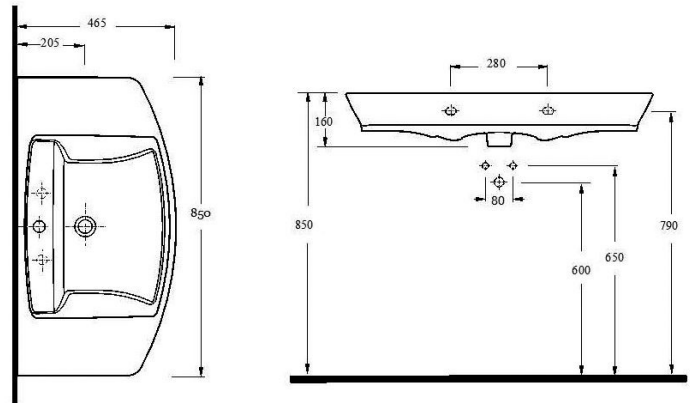


DESCRIPTION: Maya 850mm Basin & Pedestal



**DESCRIPTION:** 850mm Basin 1Th



**PRODUCT DIMENSIONS**

Height (mm)	Width (mm)	Depth (mm)	Nett Wgt Kg
160	850	465	23.3

**PACKAGING DIMENSIONS**

Height (mm)	Width (mm)	Depth (mm)	Gross Wgt Kg
910	190	510	23.3

**PACKAGING DATA**

Box Colour	Brown Cardboard Box		
Box Qty	1	Label Colour	White Label
Label Size	100 x 50	Label Qty	2

**OUTER BOX DIMENSIONS (If Applicable)**

Height (mm)	Width (mm)	Depth (mm)	Gross Wgt Kg
Barcode	5055369063284		

**PRODUCT DETAILS**

Country of Origin	Turkey
Fitting Instruction	No

Certification	CE	Yes	WRAS	N/A	WRAS Number	N/A
Product Material	Vitreous China					

**PANS/BIDETS**

Trap Style	Not Applicable	Includes Seat	Not Applicable
------------	----------------	---------------	----------------

**CISTERNS**

Fittings	Not Applicable	Operating Type	Not Applicable
Lever Type	Not Applicable		

**SEAT**

Type	Not Applicable	Function	Not Applicable
Material	Not Applicable		
Hinge Type	Not Applicable	Hinge Material	Not Applicable

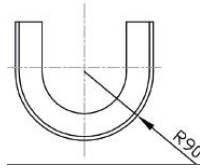
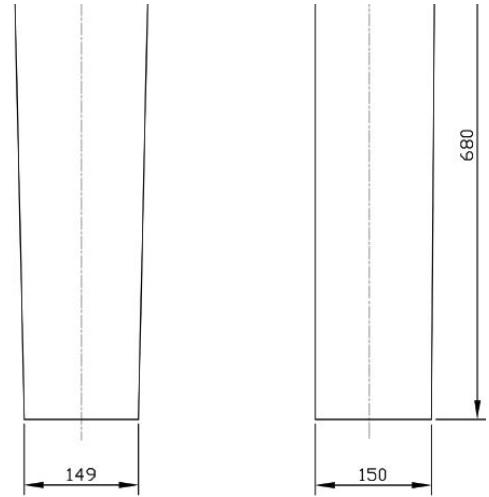
**BASINS**

Tap Hole	One Taphole	Chain Stay Hole	No
Template	Not Required	Waste Type Req'd	Slotted
Overflow Incl.	Yes	Overflow Cover	Yes
Inner Bowl Depth	310mm		

**GENERAL**

Fixing Supplied	No
-----------------	----

DESCRIPTION: Full Pedestal



**PRODUCT DIMENSIONS**

Height (mm)	Width (mm)	Depth (mm)	Nett Wgt Kg
680	155	400	10

**PACKAGING DIMENSIONS**

Height (mm)	Width (mm)	Depth (mm)	Gross Wgt Kg
670	205	205	10

**PACKAGING DATA**

Box Colour	Brown Cardboard Box - Printed		
Box Qty	1	Label Colour	White Label
Label Size	100 x 50	Label Qty	2

**OUTER BOX DIMENSIONS (If Applicable)**

Height (mm)	Width (mm)	Depth (mm)	Gross Wgt Kg
Barcode	5055369030859		

**PRODUCT DETAILS**

Country of Origin	Turkey
Fitting Instruction	No

Certification	CE	Yes	WRAS	N/A	WRAS Number	N/A
Product Material	Vitreous China					

**PANS/BIDETS**

Trap Style	Not Applicable	Includes Seat	Not Applicable
------------	----------------	---------------	----------------

**CISTERNS**

Fittings	Not Applicable	Operating Type	Not Applicable
Lever Type	Not Applicable		

**SEAT**

Type	Not Applicable	Function	Not Applicable
Material	Not Applicable		
Hinge Type	Not Applicable	Hinge Material	Not Applicable

**BASINS**

Tap Hole	Not Applicable	Chain Stay Hole	Not Applicable
Template	Not Applicable		
Overflow Incl.	Not Applicable	Overflow Cover	Not Applicable
Inner Bowl Depth	Not Applicable		

**GENERAL**

Fixing Supplied	No
-----------------	----