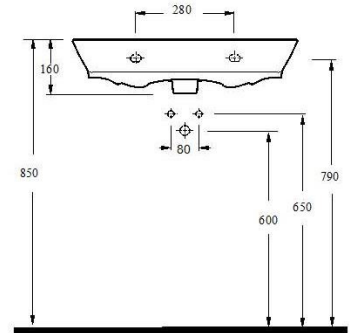
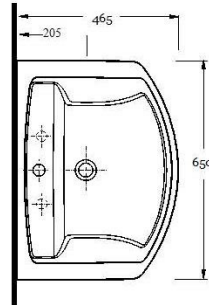
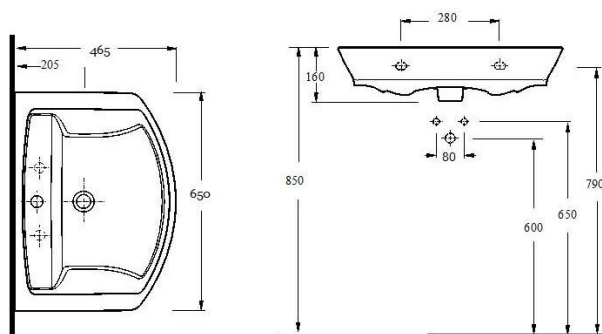


DESCRIPTION: Maya 650mm Basin & Pedestal



DESCRIPTION: 650mm Basin 1Th



**PRODUCT DIMENSIONS**

| Height (mm) | Width (mm) | Depth (mm) | Nett Wgt Kg |
|-------------|------------|------------|-------------|
| 160         | 650        | 465        | 17.8        |

**PACKAGING DIMENSIONS**

| Height (mm) | Width (mm) | Depth (mm) | Gross Wgt Kg |
|-------------|------------|------------|--------------|
| 725         | 190        | 495        | 17.8         |

**PACKAGING DATA**

|            |                     |              |             |
|------------|---------------------|--------------|-------------|
| Box Colour | Brown Cardboard Box |              |             |
| Box Qty    | 1                   | Label Colour | White Label |
| Label Size | 100 x 50            | Label Qty    | 2           |

**OUTER BOX DIMENSIONS (If Applicable)**

| Height (mm) | Width (mm)    | Depth (mm) | Gross Wgt Kg |
|-------------|---------------|------------|--------------|
|             |               |            |              |
| Barcode     | 5055369063277 |            |              |

**PRODUCT DETAILS**

|                     |        |
|---------------------|--------|
| Country of Origin   | Turkey |
| Fitting Instruction | No     |

|                  |                |    |      |     |             |     |
|------------------|----------------|----|------|-----|-------------|-----|
| Certification    | CE             | No | WRAS | N/A | WRAS Number | N/A |
| Product Material | Vitreous China |    |      |     |             |     |

**PANS/BIDETS**

|            |                |               |                |
|------------|----------------|---------------|----------------|
| Trap Style | Not Applicable | Includes Seat | Not Applicable |
|------------|----------------|---------------|----------------|

**CISTERNS**

|            |                |                |                |
|------------|----------------|----------------|----------------|
| Fittings   | Not Applicable | Operating Type | Not Applicable |
| Lever Type | Not Applicable |                |                |

**SEAT**

|            |                |                |                |
|------------|----------------|----------------|----------------|
| Type       | Not Applicable | Function       | Not Applicable |
| Material   | Not Applicable |                |                |
| Hinge Type | Top Fix        | Hinge Material | Not Applicable |

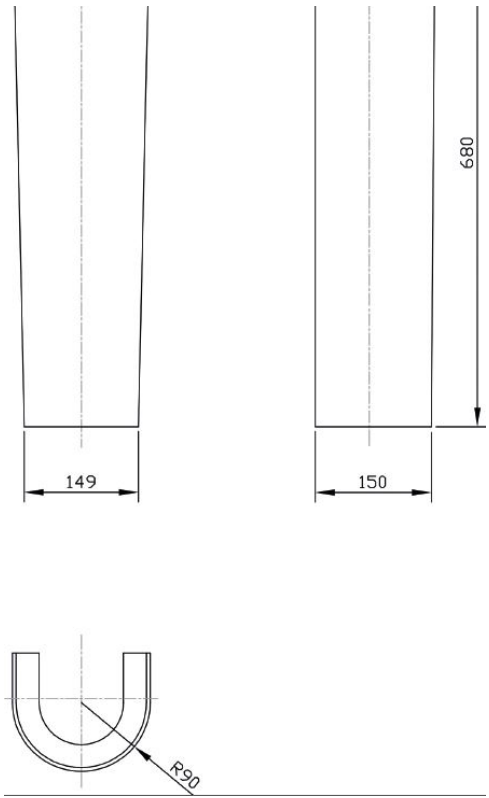
**BASINS**

|                  |              |                  |         |
|------------------|--------------|------------------|---------|
| Tap Hole         | One Taphole  | Chain Stay Hole  | No      |
| Template         | Not Required | Waste Type Req'd | Slotted |
| Overflow Incl.   | Yes          | Overflow Cover   | Yes     |
| Inner Bowl Depth | 315mm        |                  |         |

**GENERAL**

|                 |    |
|-----------------|----|
| Fixing Supplied | No |
|-----------------|----|

DESCRIPTION: Full Pedestal



**PRODUCT DIMENSIONS**

| Height (mm) | Width (mm) | Depth (mm) | Nett Wgt Kg |
|-------------|------------|------------|-------------|
| 680         | 155        | 400        | 10          |

**PACKAGING DIMENSIONS**

| Height (mm) | Width (mm) | Depth (mm) | Gross Wgt Kg |
|-------------|------------|------------|--------------|
| 670         | 205        | 205        | 10           |

**PACKAGING DATA**

|            |                               |              |             |
|------------|-------------------------------|--------------|-------------|
| Box Colour | Brown Cardboard Box - Printed |              |             |
| Box Qty    | 1                             | Label Colour | White Label |
| Label Size | 100 x 50                      | Label Qty    | 2           |

**OUTER BOX DIMENSIONS (If Applicable)**

| Height (mm) | Width (mm)    | Depth (mm) | Gross Wgt Kg |
|-------------|---------------|------------|--------------|
|             |               |            |              |
| Barcode     | 5055369030859 |            |              |

**PRODUCT DETAILS**

|                     |        |
|---------------------|--------|
| Country of Origin   | Turkey |
| Fitting Instruction | No     |

|                  |                |     |      |     |             |     |
|------------------|----------------|-----|------|-----|-------------|-----|
| Certification    | CE             | Yes | WRAS | N/A | WRAS Number | N/A |
| Product Material | Vitreous China |     |      |     |             |     |

**PANS/BIDETS**

|            |                |               |                |
|------------|----------------|---------------|----------------|
| Trap Style | Not Applicable | Includes Seat | Not Applicable |
|------------|----------------|---------------|----------------|

**CISTERNS**

|            |                |                |                |
|------------|----------------|----------------|----------------|
| Fittings   | Not Applicable | Operating Type | Not Applicable |
| Lever Type | Not Applicable |                |                |

**SEAT**

|            |                |                |                |
|------------|----------------|----------------|----------------|
| Type       | Not Applicable | Function       | Not Applicable |
| Material   | Not Applicable |                |                |
| Hinge Type | Not Applicable | Hinge Material | Not Applicable |

**BASINS**

|                  |                |                  |                |
|------------------|----------------|------------------|----------------|
| Tap Hole         | Not Applicable | Chain Stay Hole  | Not Applicable |
| Template         | Not Applicable | Waste Type Req'd | Not Applicable |
| Overflow Incl.   | Not Applicable | Overflow Cover   | Not Applicable |
| Inner Bowl Depth | Not Applicable |                  |                |

**GENERAL**

|                 |    |
|-----------------|----|
| Fixing Supplied | No |
|-----------------|----|