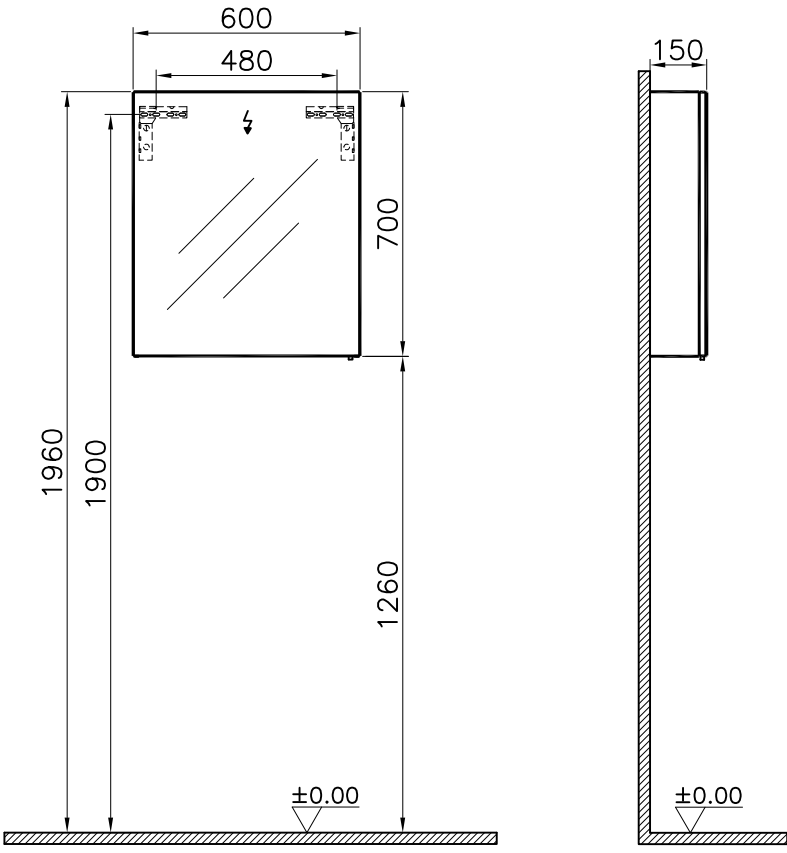


Theoretic Mass(kg)		Revision	
Surface Area(dm ²)		A4	

Thread	Hole	Shaft



Luxury Bathroom Solutions

R.S	Description	Date	NAME

1	1	Mirr	56739		
item	Quantity	Part Name	Drawing No	Material	Material Class
		Series	Material	Material Class	
		Mirr			
Drawn By	Controlled By	Approved By	Date	Drawing No	Scale
G.GULTER	G.CAN	D.KEMAL	13.11.2013	56739	1/20
					VitrA® ARTEMA®

This drawing can only be used for the intended purposes. Unauthorized copying is strictly prohibited.