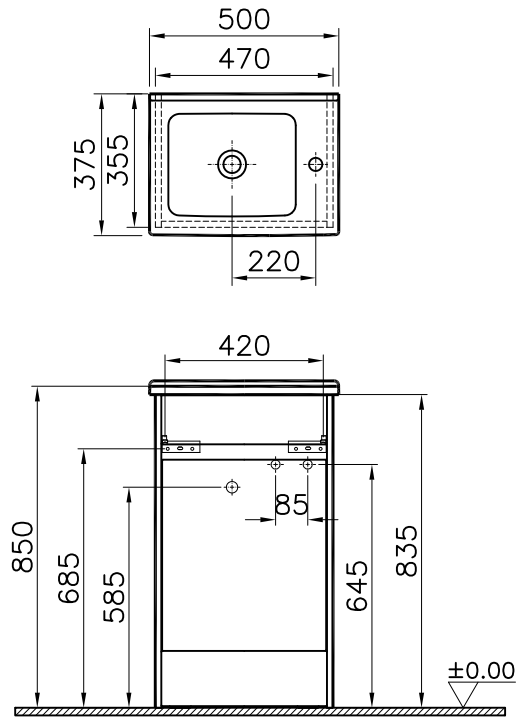


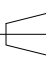

Theoretic Mass(kg)		Revision	
Surface Area(dm <sup>2</sup> )		<b>A4</b>	

Thread	Hole	Shaft



## Luxury Bathroom Solutions

R.S	Description	Date	G.GULTER NAME

1	1	Washbasin Unit		52978				
item	Quantity	Part Name		Drawing No		Material		Material Class
		Series	Material	Material Class				
		S50	Washbasin Unit					
Drawn By		Controlled By		Approved By		Date	Drawing No	Scale
G.GULTER		G.CAN		D.KEMAL		20.05.2013	52978	1/20
<b>VitrA®   ARTEMA®</b>								

This drawing can only be used for the intended purposes. Unauthorized copying is strictly prohibited.