

Trivento



Contemporary double-ended bath

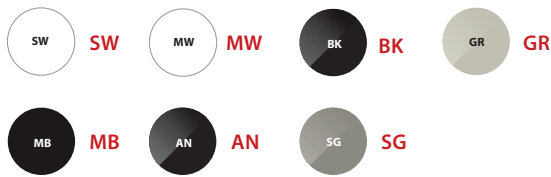
- Made from QUARRYCAST®
 - One piece casting of Volcanic Limestone™ and resin
 - Harder & more durable than acrylic
- Easy clean high gloss finish
- Exterior can be painted
- 25 year guarantee
- Available in seven colour finishes

Special Options



External finish

The colours shown here are not exact representations.



- SW QUARRYCAST® White
- MW Matt white
- BK Gloss black
- GR Light grey
- MB Matt black
- AN Anthracite
- SG Stone grey

Recommended Wastes



No overflow hole



Overflow hole



K12



K17



K40



Guaranteed for residential use for 25 years*



Guaranteed for commercial use for 8 years*

* QUARRYCAST® white products only. Paint finish exterior guaranteed for 2 years.



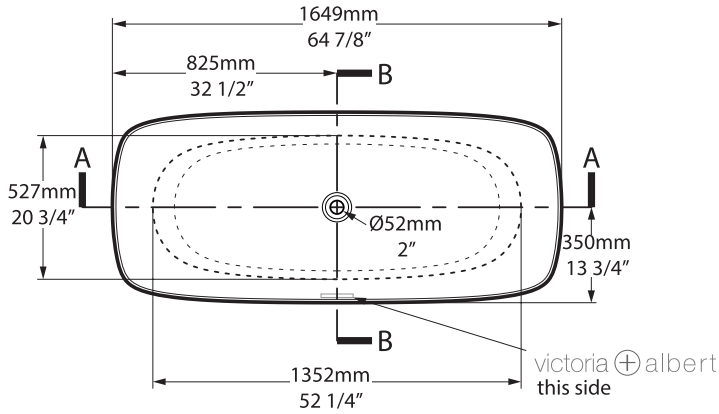
rich in
Volcanic
Limestone™

Trivento

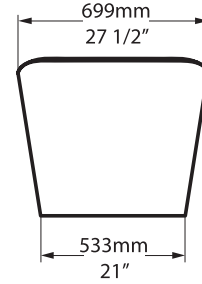
victoria  albert®

volcanic limestone baths

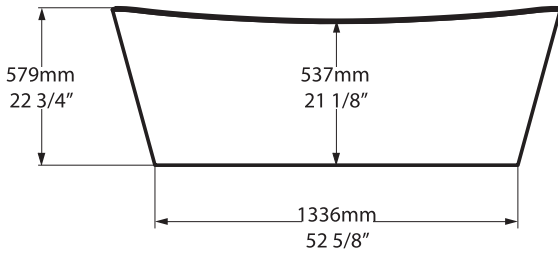
Top view



Front view

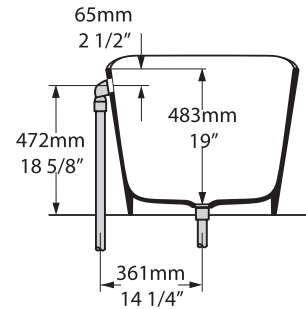


Side view

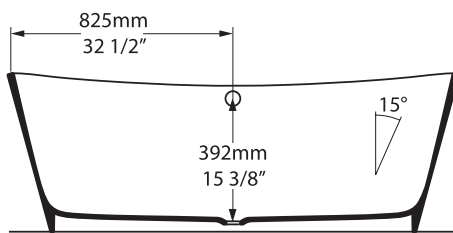


Section BB

Shown with K17 Waste Kit

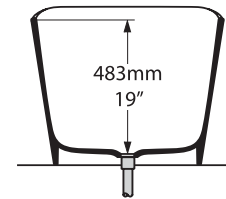


Section AA



Section BB

Shown with K12/K40 Waste Kit



*All measurements subject to +/-5% tolerance
*Overflow hole not drilled

