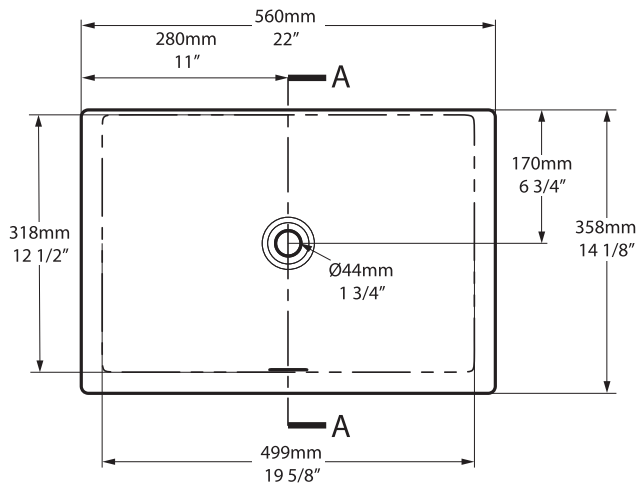
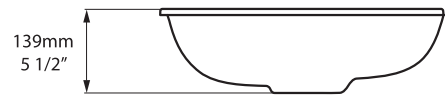


Kaldera 56 UB-KAL-56-IO

Top view



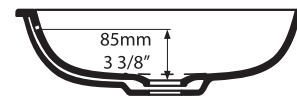
Side view



Front view



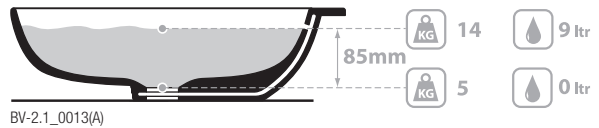
Section AA



Features an internal overflow
 Integrierter Überlauf
 Dispose d'un trop-plein interne
 Incluye el rebosadero integrado
 Caratterizzato da un troppopieno interno



Qc rich in Volcanic Limestone™



BV-2.1_0013(A)

Recommended wastes: K-22-xx / K-24-xx / K-25-xx / K-122-xx

*All measurements subject to +/-5% tolerance

25
years

Guaranteed for residential use for 25 years*
 25 Jahre Garantie bei privater Nutzung
 25 ans de garantie pour un usage domestique
 Garantía de 25 años para uso domestico
 La sicurezza garantita per uso residenziale per 25 anni



Massachusetts Code: Pending
 cUPC listing by IAPMO: File No. 6970



8
years

Guaranteed for commercial use for 8 years*
 8 Jahre Garantie bei gewerblicher Nutzung
 8 ans de garantie pour un usage commercial
 Garantía de 8 años para uso comercial
 La sicurezza garantita per uso commerciale per 8 anni