

Drayton



Classic slipper bath

- Made from QUARRYCAST®
 - One piece casting of rare volcanic limestone and resin
 - Harder & more durable than acrylic
- Easy clean high gloss finish
- Exterior can be painted
- 25 year guarantee
- Available in seven colour finishes

25
years

Guaranteed for residential use for 25 years*

8
years

Guaranteed for commercial use for 8 years*

* QUARRYCAST® white products only. Paint finish exterior guaranteed for 2 years.

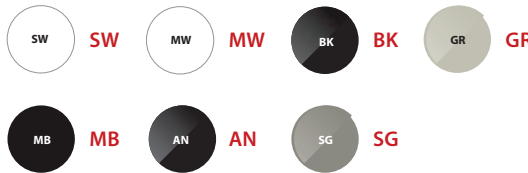
Qc® rich in volcanic limestone

Special Options



External finish

The colours shown here are not exact representations.



- SW QUARRYCAST® White
- MW Matt white
- BK Gloss black
- GR Light grey
- MB Matt black
- AN Anthracite
- SG Stone grey



Feet

Feet are supplied in the same colour as bath as standard.



- WH White metal
- PC Polished chrome
- PB Polished Brass
- BN Brushed nickel
- PN Polished nickel
- SW QUARRYCAST® White
- AB Aged bronze

Recommended Wastes



No overflow hole



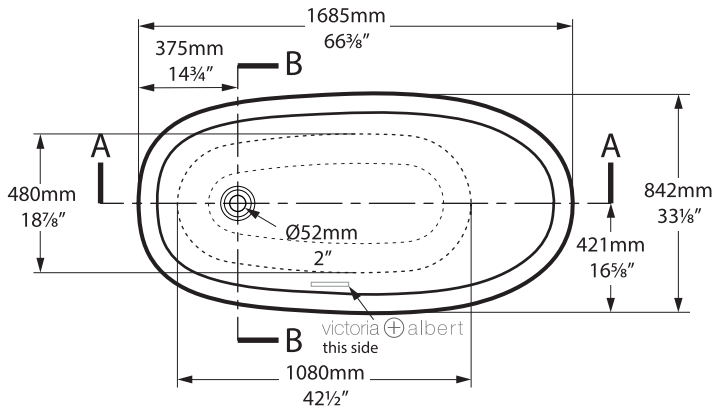
Overflow hole



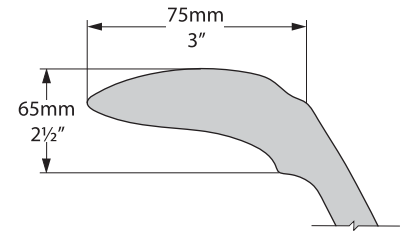
K30

K31

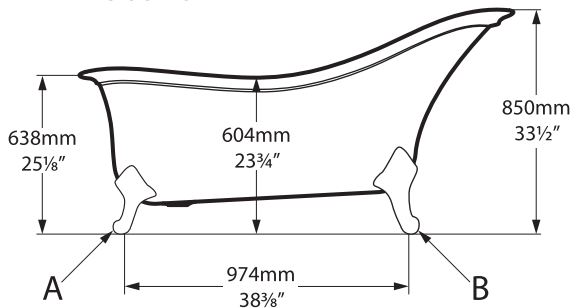
Top view



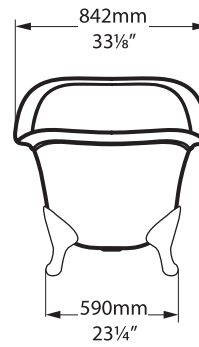
Rim Detail



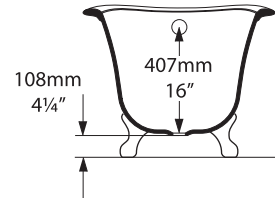
Side view



Front view

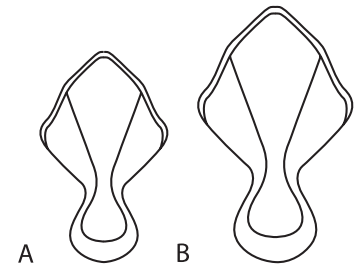
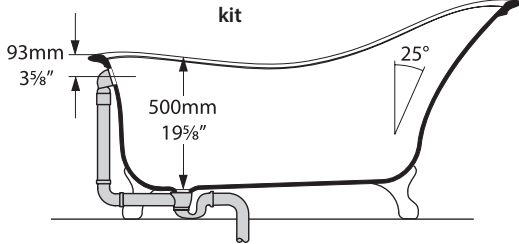


Section BB



Section AA

Shown with K31 waste kit



*All measurements subject to +/-5% tolerance

