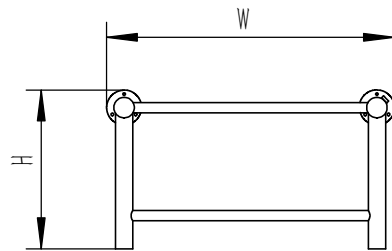
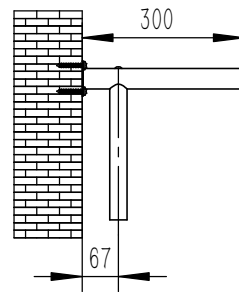


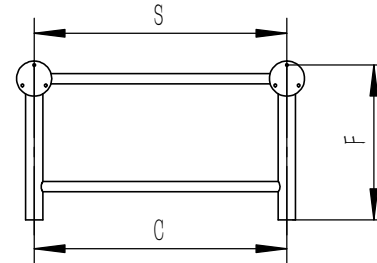
TROISI



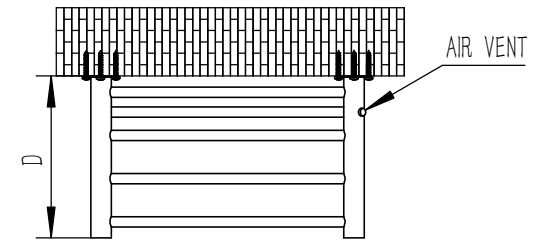
FRONT VIEW



SIDE VIEW



BACK VIEW



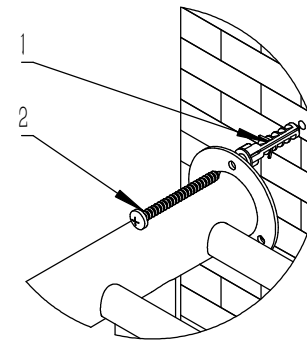
TOP VIEW
SUPPLIED INSTALLATION ACCESSORIES



SCREW 6PCS



WALL PLUG 6PCS



- Vertical Mounting
- Optional 304 QUALITY STAINLESS STEEL RADIATOR (RNS-TR503:TROISI RADIATOR)
- POLISHED
- MAX Operational Pressure:10Bar
- Inlet/Outlet:1/2"Female Pipe Thread
- All Dimensions are in mm

Product Name	Product Cude	Height	Width	Thick Ness	Plumbing Axes Center to Center	Hanger Axes Horizontal	Hanger To Bottom of the Product	Hanger Axes Vertical	Water Volume	Empty Weight	Thermal Output
		H	W	D	C	S	F	G	-	-	Wat-Btu/hr($\Delta 50^\circ$)
		mm	mm	mm	mm	mm	mm	mm	mm	L	kg
TROISI	RNS-TR503	294	532	300	462	462	286.5				

