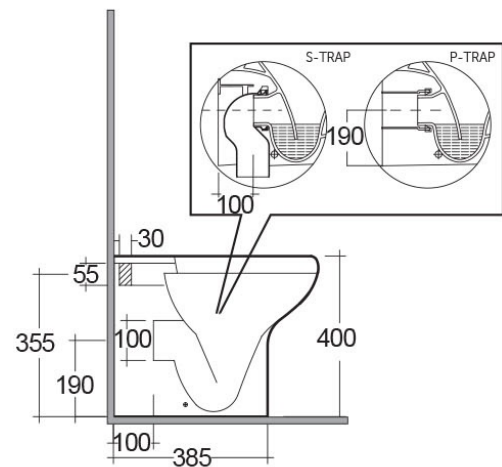
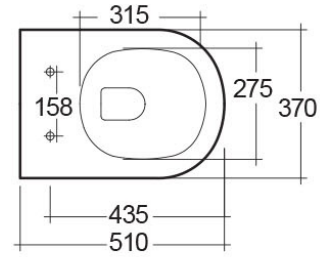


RAK-COMPACT

Back to Wall | Water Closet

RAK
CERAMICS



Technical specifications

Dimensions: 510 x 370 mm

Weight: 21 Kg

Color: Alpine White

Trap type: P Trap & S Trap

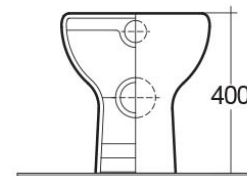
Trapway type: Concealed

Seat cover options: Urea

Bowl shape: Round

Dual flush: yes

Suites: [RAK-COMPACT](#)



Code	Name
------	------

CO17AWHA	COMPACT WATER CLOSET BACK TO WALL P S-TRAP 51CM
----------	---

Luxury Bathroom Solutions

Dimensions: All dimensions in mm tolerance $\pm 5\%$ for below 200mm and $\pm 3\%$ for above 200mm.

Note: Due to a continuing development programme to improve design and performance, the manufacturer reserves all rights to vary specifications without prior information.

Please note accessories are for photographic use only.