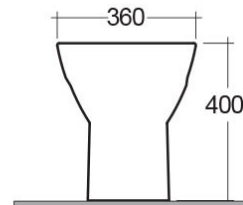
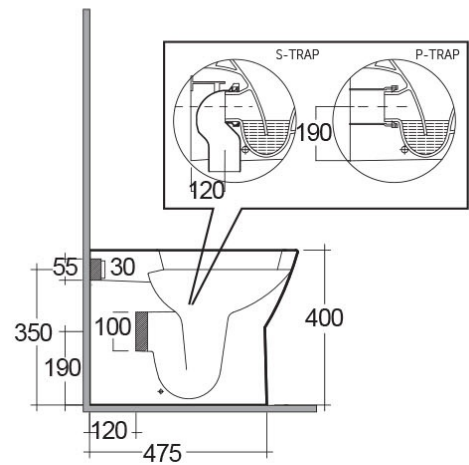
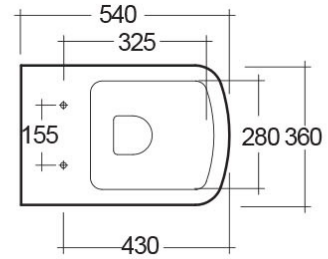


# RAK-SUMMIT

## Back to Wall | Water Closet

**RAK**  
CERAMICS



### Technical specifications

Dimensions: 540 x 360 mm

Weight: 25 Kg

Color: Alpine White

Trap type: P Trap

Trapway type: Concealed

Seat cover options: Urea

Bowl shape: Rectangle

Soft close: yes

Dual flush: yes

Suites: [RAK-SUMMIT](#)

| Code | Name |
|------|------|
|------|------|

|          |                                                |
|----------|------------------------------------------------|
| SM16AWHA | SUMMIT WATER CLOSET BACK TO WALL P S-TRAP 54CM |
|----------|------------------------------------------------|

Luxury Bathroom Solutions

Dimensions: All dimensions in mm tolerance  $\pm 5\%$  for below 200mm and  $\pm 3\%$  for above 200mm.

Note: Due to a continuing development programme to improve design and performance, the manufacturer reserves all rights to vary specifications without prior information.

Please note accessories are for photographic use only.