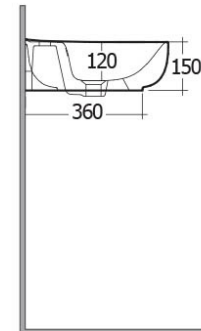
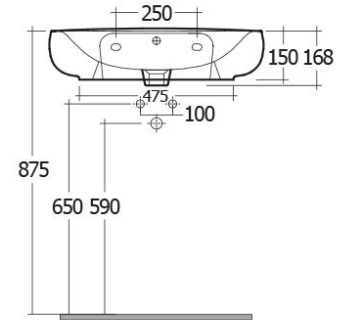
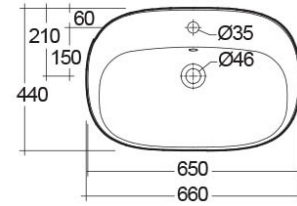


RAK-ILLUSION

Wash basin | Wall Hung

RAK
CERAMICS



Technical specifications

Dimensions: 650 x 440 mm

Weight: 18 Kg

Color: Alpine White

Shape of basin: Oval

Overflow hole: yes

Suites: [RAK-ILLUSION](#)

Code	Name
ILLWB6501AWHA	RAK-ILLUSION

Dimensions: All dimensions in mm. Tolerance of vitreous china & fireclay items: $\pm 5\%$ for below 200mm and $\pm 3\%$ for above 200mm; for all other items tolerance $\pm 1\%$. Note: Due to a continuing development program to improve design and performance, the manufacturer reserves all rights to vary specifications without prior information. Please note accessories are for photographic use only.