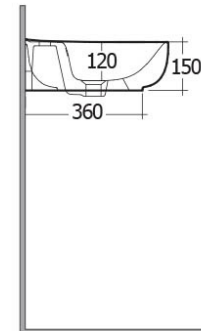
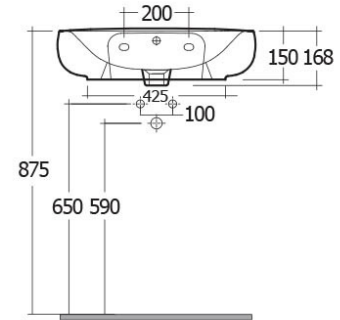
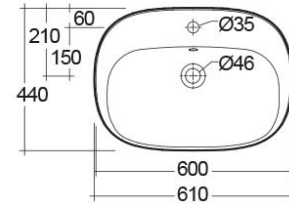


RAK-ILLUSION

Wash basin | Wall Hung

RAK
CERAMICS



Technical specifications

Dimensions:	600 x 440 mm
Weight:	16 Kg
Color:	Alpine White
Shape of basin:	Oval
Overflow hole:	yes
Suites:	RAK-ILLUSION

Code	Name
ILLWB6001AWHA	RAK-ILLUSION

Dimensions: All dimensions in mm. Tolerance of vitreous china & fireclay items: $\pm 5\%$ for below 200mm and $\pm 3\%$ for above 200mm; for all other items tolerance $\pm 1\%$. Note: Due to a continuing development program to improve design and performance, the manufacturer reserves all rights to vary specifications without prior information. Please note accessories are for photographic use only.