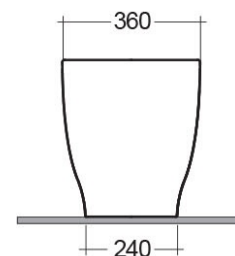
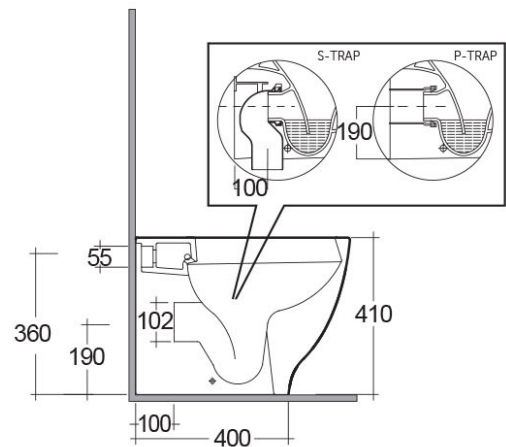
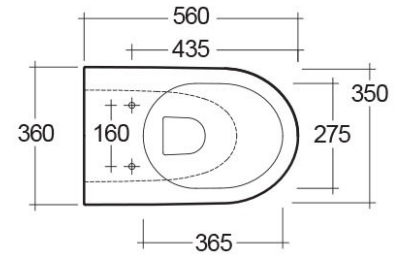


RAK-MOON

Back to Wall | Water Closet

RAK
CERAMICS



Technical specifications

Dimensions: 560 x 360 mm

Weight: 27 Kg

Color: Alpine White

Trap type: P Trap & S Trap

Trapway type: Concealed

Seat cover options: Urea

Bowl shape: Oval

Soft close: yes

Dual flush: yes

Suites: [RAK-MOON](#)

Code	Name
------	------

HAR17AWHA	MOON WATER CLOSET RIMLESS BACK TO WALL P/S TRAP 56CM
-----------	--

Luxury Bathroom Solutions

Dimensions: All dimensions in mm tolerance $\pm 5\%$ for below 200mm and $\pm 3\%$ for above 200mm.

Note: Due to a continuing development programme to improve design and performance, the manufacturer reserves all rights to vary specifications without prior information.

Please note accessories are for photographic use only.