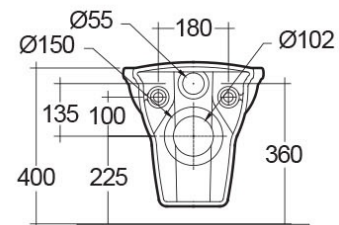
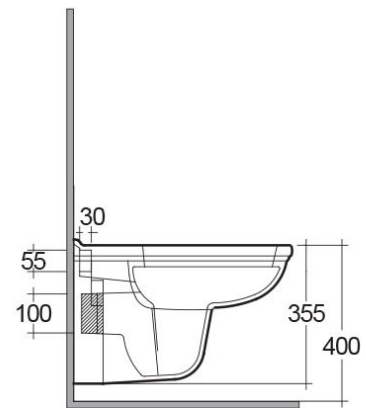
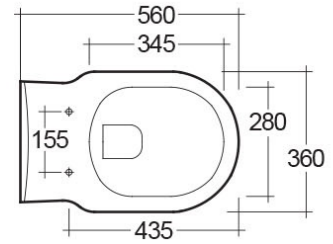


RAK-WASHINGTON

Wall Hung | Water Closet

RAK
CERAMICS



Technical specifications

Dimensions: 560 x 360 mm

Weight: 16 Kg

Color: Alpine White, Ivory

Trap type: P Trap

Trapway type: Concealed

Seat cover options: Urea

Bowl shape: Oval

Soft close: yes

Dual flush: yes

Suites: [RAK-WASHINGTON](#)

Code	Name
------	------

WT18AWHA	WASHINGTON WATER CLOSET WALL HUNG 56CM
----------	--

Luxury Bathroom Solutions

Dimensions: All dimensions in mm tolerance $\pm 5\%$ for below 200mm and $\pm 3\%$ for above 200mm.

Note: Due to a continuing development programme to improve design and performance, the manufacturer reserves all rights to vary specifications without prior information.

Please note accessories are for photographic use only.