

# CONSOLE

DELUXE Console Basin with ceramic legs

**RAK**  
CERAMICS



## SPECIFICATION/CODE REFERENCE

Please use the reference codes shown below:

**CONLARG1**  
**CONLARG2**  
**CONLARG3**  
**ARECRLEG**

SIZE 1082 x 605 x 870 mm

TAP HOLE Single tap hole

OVER FLOW Over flow built in

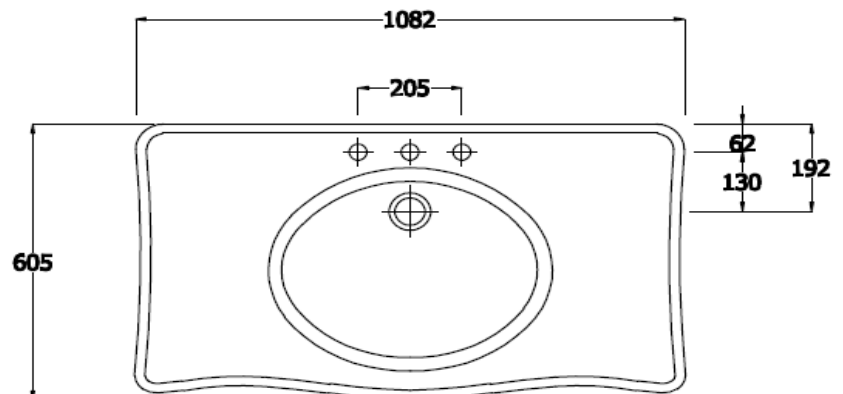
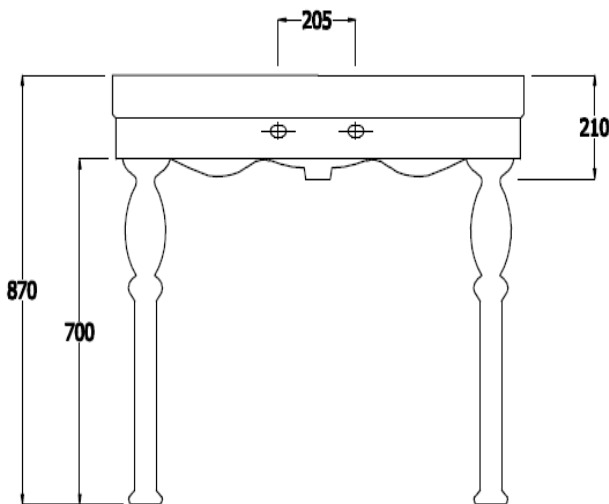
MATERIAL Vitreous China

WEIGHT 50.00 kg

COLOURS White

FIXING Fisher fittings supplied for basin

WARRANTY 25 Years



Dimensions: All measurements are in millimeters and are subject to normal manufacturing variations.

Note: Due to a continuing development programme to improve design and performance, the manufacturer reserves all rights to vary specifications without prior informations. Please note accessories are for photographic use only.

Tel: 01730 237850 Fax: 01730 263210. RAK Ceramics, Bradford House, Frenchmans Road, Petersfield, Hampshire GU32 3AW  
Contact us at: [info.uk@rakceramics.com](mailto:info.uk@rakceramics.com) / Visit us at: [www.rakceramics.com](http://www.rakceramics.com) 2017

**Luxury Bathroom Solutions**