

CONSOLE

ALEXANDRA 845mm Console Basin with ceramic legs

RAK
CERAMICS

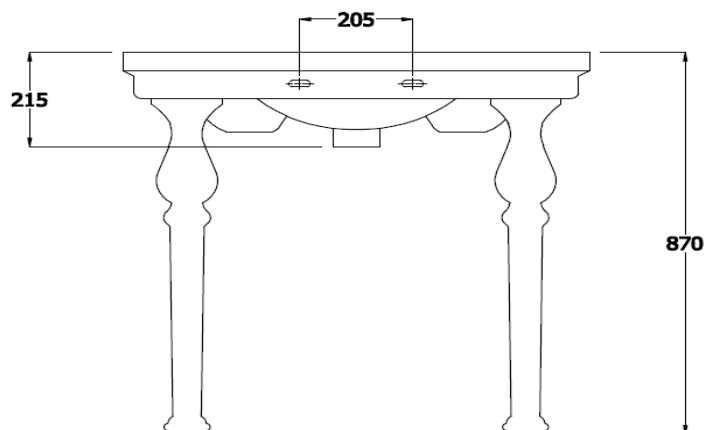
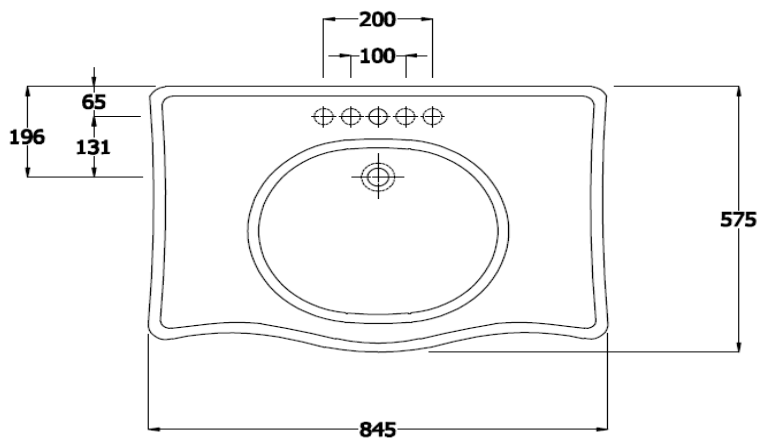


SPECIFICATION/CODE REFERENCE

Please use the reference codes shown below:

CONSMAL1
CONSMAL2
CONSMAL3
ARCRLEG

SIZE	845 x 575 x 870 mm
TAP HOLE	Single, Two or Three tapholes
OVER FLOW	Over flow built in
MATERIAL	Vitreous China
WEIGHT	38.00 kg
COLOURS	White
FIXING	Fisher fittings supplied for basin
WARRANTY	25 Years



Dimensions: All measurements are in millimeters and are subject to normal manufacturing variations.

Note: Due to a continuing development programme to improve design and performance, the manufacturer reserves all rights to vary specifications without prior informations. Please note accessories are for photographic use only.

Tel: 01730 237850 Fax: 01730 263210. RAK Ceramics, Bradford House, Frenchmans Road, Petersfield, Hampshire GU32 3AW
Contact us at: info.uk@rakceramics.com / Visit us at: www.rakceramics.com 2017

Luxury Bathroom Solutions