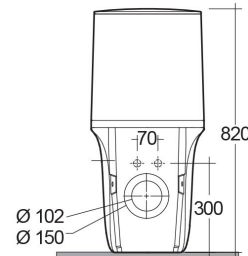
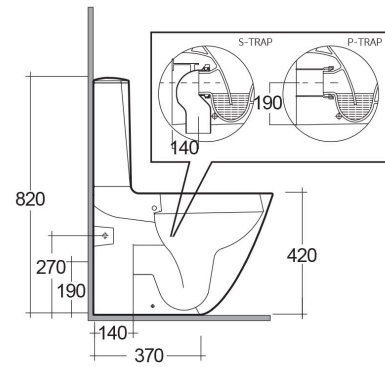
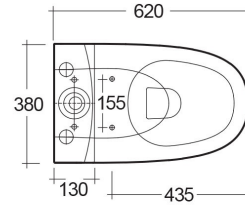


RAK-SENSATION

Back to Wall | Water Closet

RAK
CERAMICS



Technical specifications

Dimensions: 620 x 380 mm

Weight: 31 Kg

Color: Alpine White

Trap type: P Trap & S Trap

Trapway type: Concealed

Seat cover options: Urea

Bowl shape: Oval

Suites: [RAK-SENSATION](#)

Code	Name
SENWC1146AWHA	SENSATION WATER CLOSET BACK TO WALL P S-TRAP 62CM
SENWT1800AWHA	SENSATION WATER CLOSET TANK

Luxury Bathroom Solutions

Dimensions: All dimensions in mm tolerance $\pm 5\%$ for below 200mm and $\pm 3\%$ for above 200mm.

Note: Due to a continuing development programme to improve design and performance, the manufacturer reserves all rights to vary specifications without prior information.

Please note accessories are for photographic use only.