

# Taps

## Series 600 Bath Filler

**RAK**  
CERAMICS

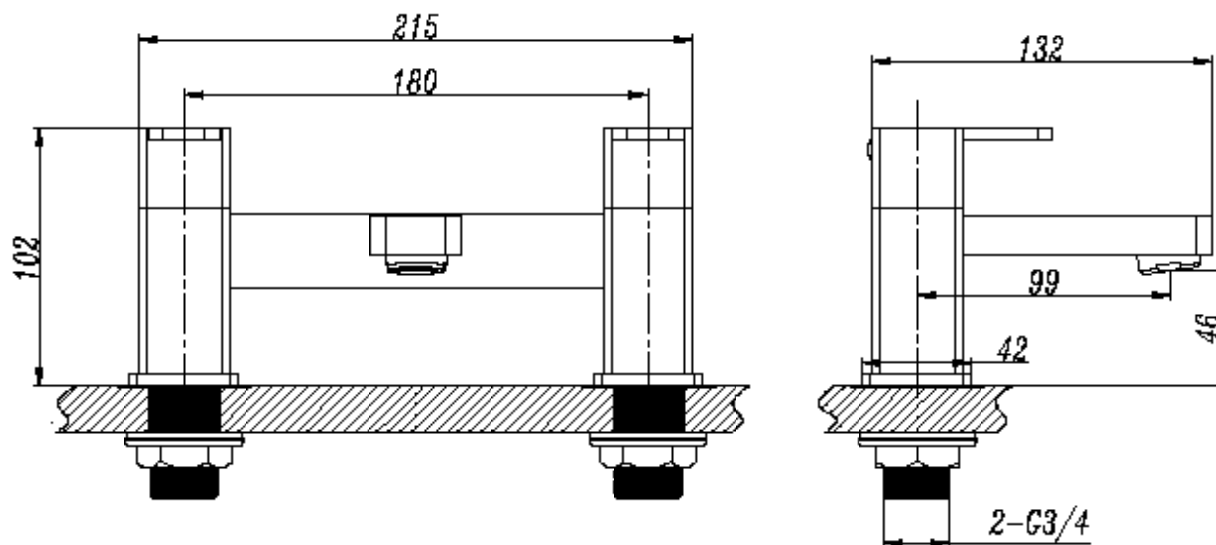
### SPECIFICATION/CODE REFERENCE

Please use the reference codes shown below:



## RAKS6003004

MATERIAL	Brass, Chrome Plating
WEIGHT	16 kg
THICKNESS	Chrome 0.3 UM, Nickle 6019 UM
PRESSURE	Mininium 0.2 LP2
WARRANTY	15 Years



Dimensions: All measurements are in millimeters and are subject to normal manufacturing variations.

Note: Due to a continuing development programme to improve design and performance, the manufacturer reserves all rights to vary specifications without prior informations. Please note accessories are for photographic use only.

Tel: 01730 237850 Fax: 01730 263210. RAK Ceramics, Bradford House, Frenchmans Road, Petersfield, Hampshire GU32 3AW  
Contact us at: [info.uk@rakceramics.com](mailto:info.uk@rakceramics.com)/ Visit us at: [www.rakceramics.com](http://www.rakceramics.com) 2017

## Luxury Bathroom Solutions