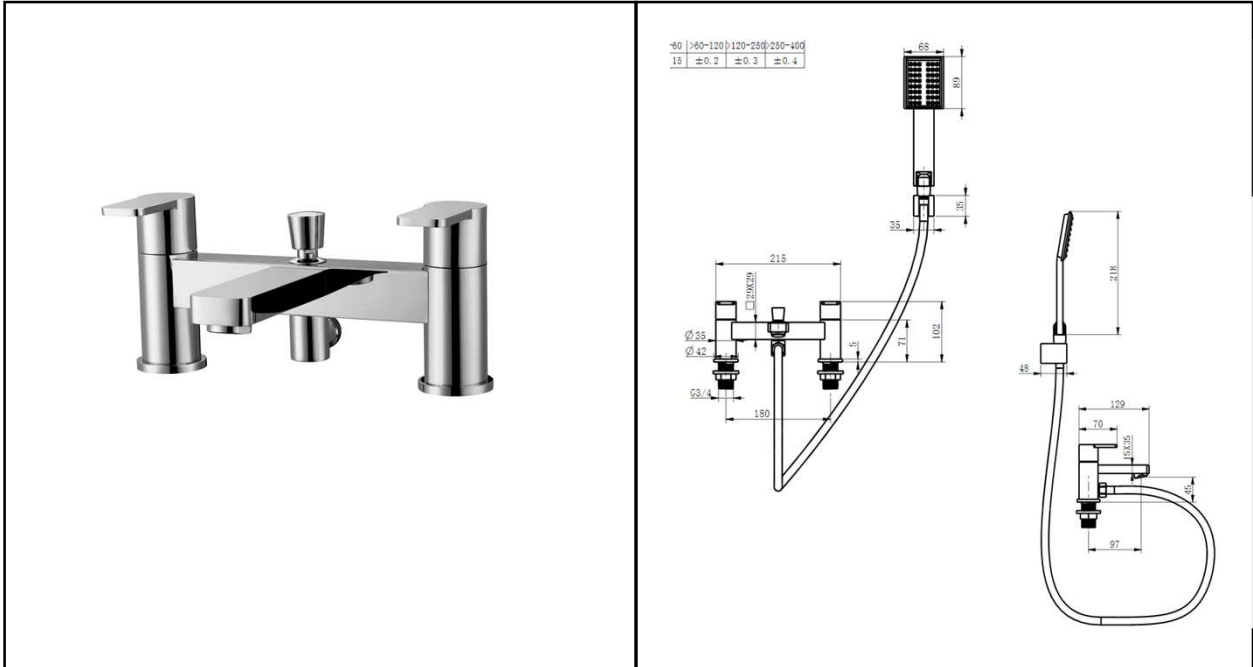


TONIQUE TAPS
Bath Shower Mixer | 2TH

RAK
 CERAMICS



Dimensions:	215w x 102d x 218h mm
Colour:	CHROME
Code:	RAKTON3005
Pressures:	0.2 BAR
Warranty:	15 YEARS
Weight:	6.0 KG

Dimensions: All Dimensions in mm tolerance $\pm 5\%$ for below 200mm and $\pm 3\%$ for above 200mm.
 Note: Due to a continuing development programme to improve design and performance the manufacturer reserves all rights to vary specifications without prior information.
 Please note accessories are for photographic use only.