

# Bathroom Taps

## Compact Bath Shower Mixer

**RAK**  
CERAMICS

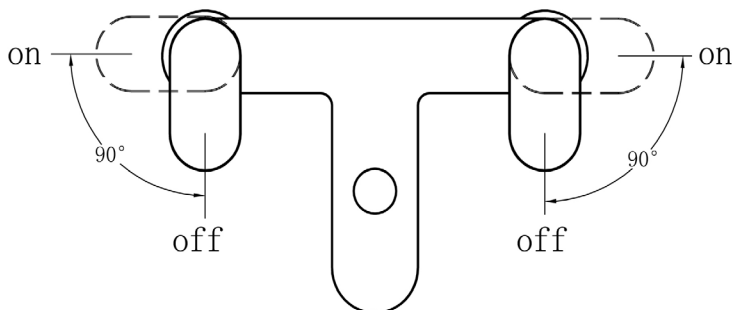
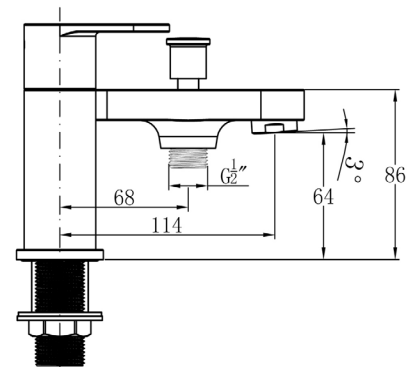
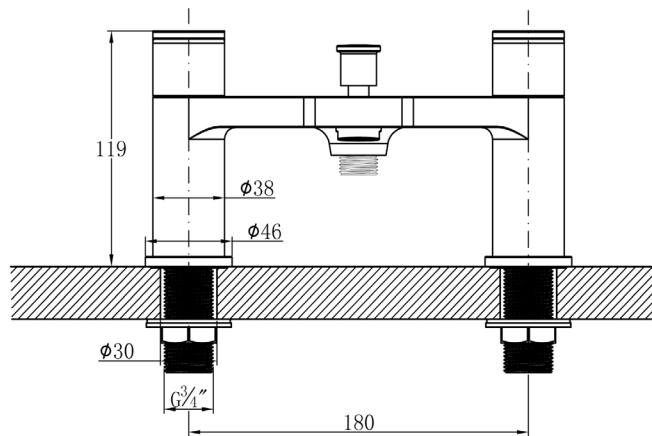


### SPECIFICATION/CODE REFERENCE

Please use the reference codes shown below:

## RAKCOM3005

MATERIAL	Brass, Chrome Plating
FINISH	Chrome plated
THICKNESS	Chrome 0.3 UM, Nickle 6019 UM
CATRIDGE	1/4 Turn 3/4" Ceramic Disc Valves
WEIGHT	2.50 kg
PRESSURES	0.5 - 0.6 Bar Pressure
STANDARDS	Complies with BS5412, BS EN200
TAILS	3/4" BSP Tails
WARRANTY	15 years against manufacturing faults



Dimensions: All measurements are in millimeters and are subject to normal manufacturing variations.

Note: Due to a continuing development programme to improve design and performance, the manufacturer reserves all rights to vary specifications without prior informations. Please note accessories are for photographic use only.

Tel: 01730 237850 Fax: 01730 263210. RAK Ceramics, Bradford House, Frenchmans Road, Petersfield, Hampshire GU32 3AW  
Contact us at: [info.uk@rakceramics.com](mailto:info.uk@rakceramics.com) / Visit us at: [www.rakceramics.com](http://www.rakceramics.com) 2019

**Luxury Bathroom Solutions**