

# Taps

## Resort Bath Shower Mixer

**RAK**  
CERAMICS

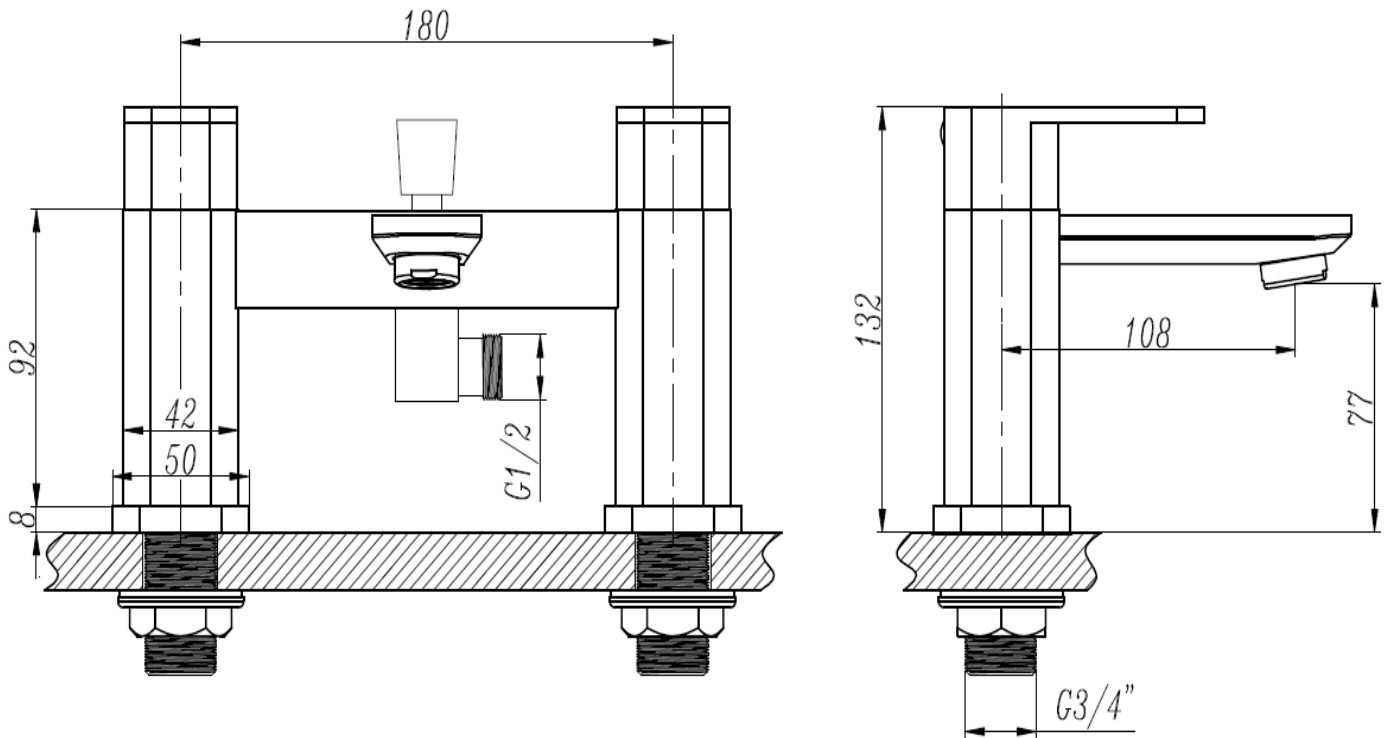


### SPECIFICATION/CODE REFERENCE

Please use the reference codes shown below:

## RAK710922

|           |                               |
|-----------|-------------------------------|
| MATERIAL  | Brass, Chrome Plating         |
| WEIGHT    | 1.23 kg                       |
| THICKNESS | Chrome 0.3 UM, Nickle 6019 UM |
| PRESSURE  | Mininium 0.2 LP2              |
| WASTE     | require suitable basin waste  |
| WARRANTY  | 15 Years                      |



Dimensions: All measurements are in millimeters and are subject to normal manufacturing variations.

Note: Due to a continuing development programme to improve design and performance, the manufacturer reserves all rights to vary specifications without prior informations. Please note accessories are for photographic use only.

Tel: 01730 237850 Fax: 01730 263210. RAK Ceramics, Bradford House, Frenchmans Road, Petersfield, Hampshire GU32 3AW  
Contact us at: [info.uk@rakceramics.com](mailto:info.uk@rakceramics.com) / Visit us at: [www.rakceramics.com](http://www.rakceramics.com) 2017

**Luxury Bathroom Solutions**