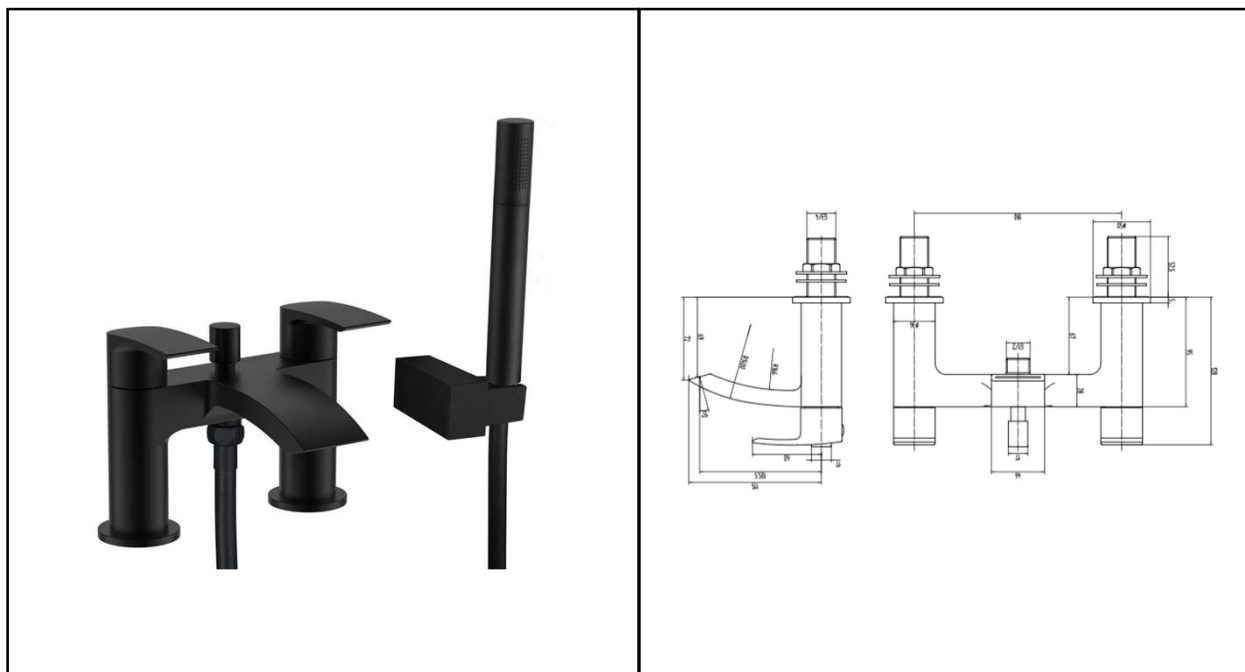


RAK CURVE TAPS
Bath Shower Mixer | 2TH

RAK
CERAMICS



Dimensions: 180w x 50d x 128h mm

Colour: BLACK

Code: RAKCRV3005B

Pressure: 0.2 BAR – 6.0 BAR

Warranty: 15 YEARS

Weight: 2.80 KG

Dimensions: All Dimensions in mm tolerance $\pm 5\%$ for below 200mm and $\pm 3\%$ for above 200mm.
Note: Due to a continuing development programme to improve design and performance the manufacturer reserves all rights to vary specifications without prior information.
Please note accessories are for photographic use only.