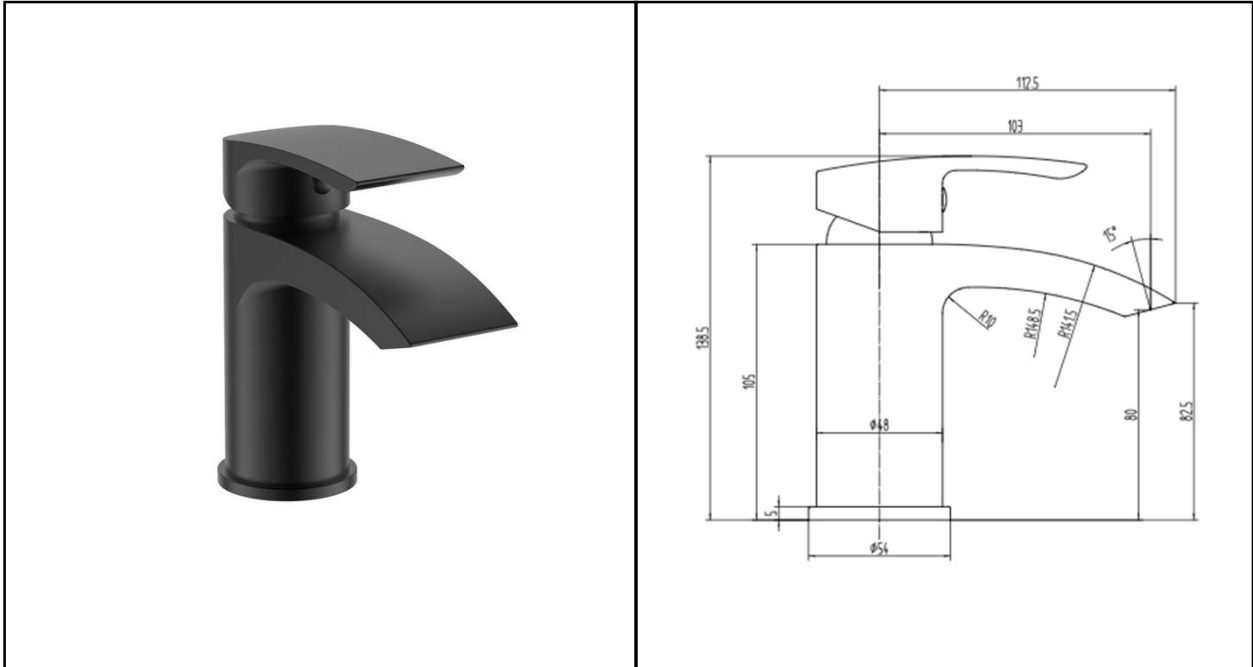


RAK CURVE TAPS
Basin Mixer | Standard | Inc Waste

RAK
CERAMICS



Dimensions: 54w x 112.5d x 138.5h mm

Colour: BLACK

Code: RAKCRV3001B

Pressure: 0.2 BAR – 6.0 BAR

Warranty: 15 YEARS

Weight: 1.60 KG

Dimensions: All Dimensions in mm tolerance $\pm 5\%$ for below 200mm and $\pm 3\%$ for above 200mm.
Note: Due to a continuing development programme to improve design and performance the manufacturer reserves all rights to vary specifications without prior information.
Please note accessories are for photographic use only.