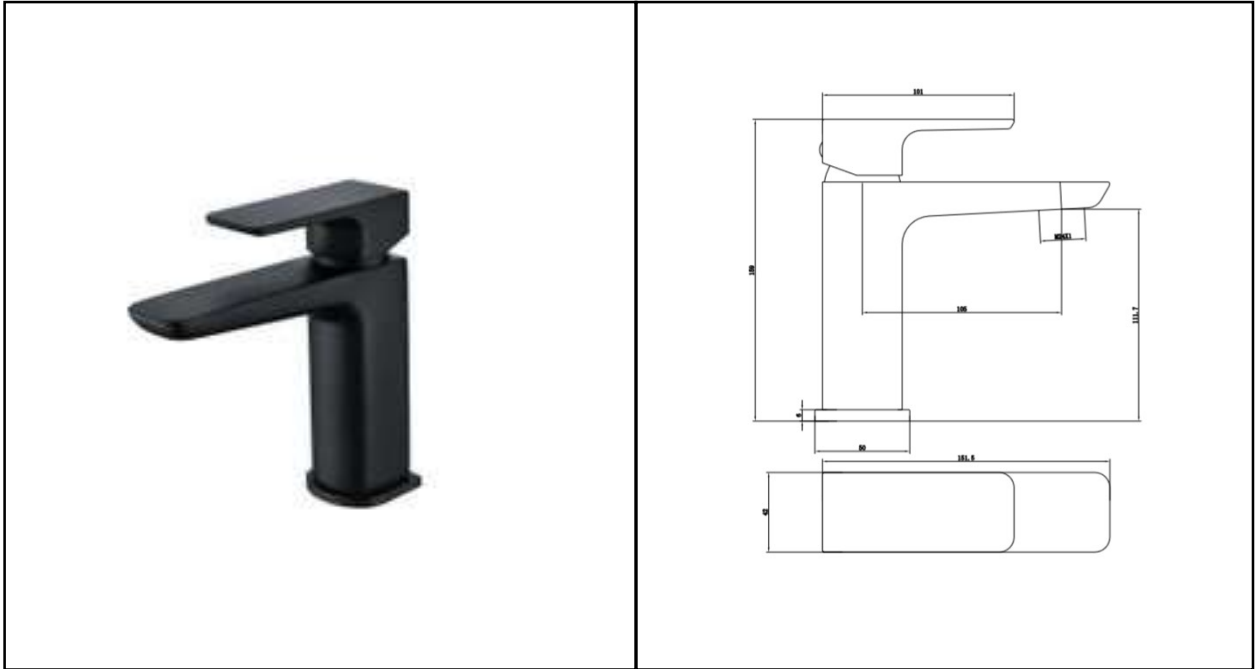


**MOON TAPS  
BASIN MIXER | STANDARD | INC WASTE**



<b>Dimensions:</b>	50w x 151.5d x 159h mm
<b>Colour:</b>	BLACK
<b>Code:</b>	RAKMOO3001B
<b>Pressures:</b>	0.2 - 0.6 Bar Pressure
<b>Warranty:</b>	15 YEARS
<b>Weight:</b>	1.70 KG

Dimensions: All Dimensions in mm tolerance  $\pm 5\%$  for below 200mm and  $\pm 3\%$  for above 200mm.  
 Note: Due to a continuing development programme to improve design and performance the manufacturer reserves all rights to vary specifications without prior information.  
 Please note accessories are for photographic use only.

**JW3** need weight and pressure  
John Ward, 29/05/2019