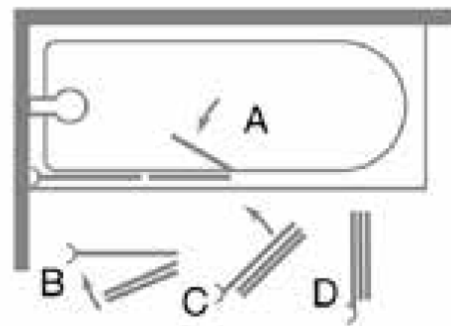


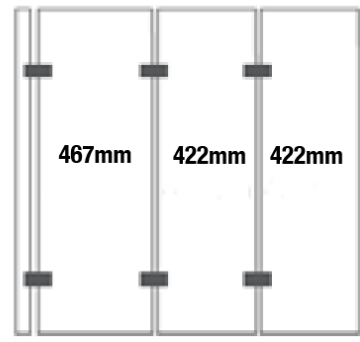
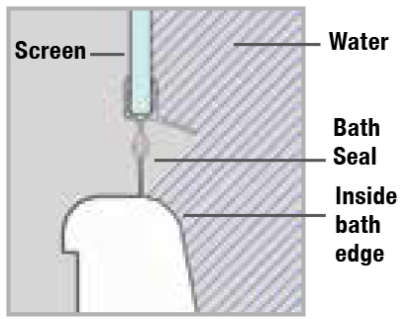
A  
B  
C  
D  
E  
F

Screen is reversible



B = Radius of Screen Swing = 400mm

☐ ○ Recommended shower head position



Luxury Bathroom Solutions



Merlyn Industries Ltd.

NAME	SIGNATURE	DATE	UNLESS OTHERWISE SPECIFIED: DIMENSIONS ARE IN MILLIMETERS SURFACE FINISH: TOLERANCES: LINEAR: ANGULAR:
DRAWN	MR.HADSHENGBIN		
CHK'D			
APP'V'D			
MFG			FINISH:
QA			MATERIAL:
SUPPLIER CODE	MER 05		BEVEL AND BREAK SHARP EDGES
			WEIGHT:
DO NOT SCALE DRAWING		REVISION 01	

IF IN DOUBT ASK!	CUT SIZE :-	
	FINISH SIZE:-	
TITLE: <b>MB9</b> <b>3 Panel Folding Bathscreen</b>		
DWG NO.		A4