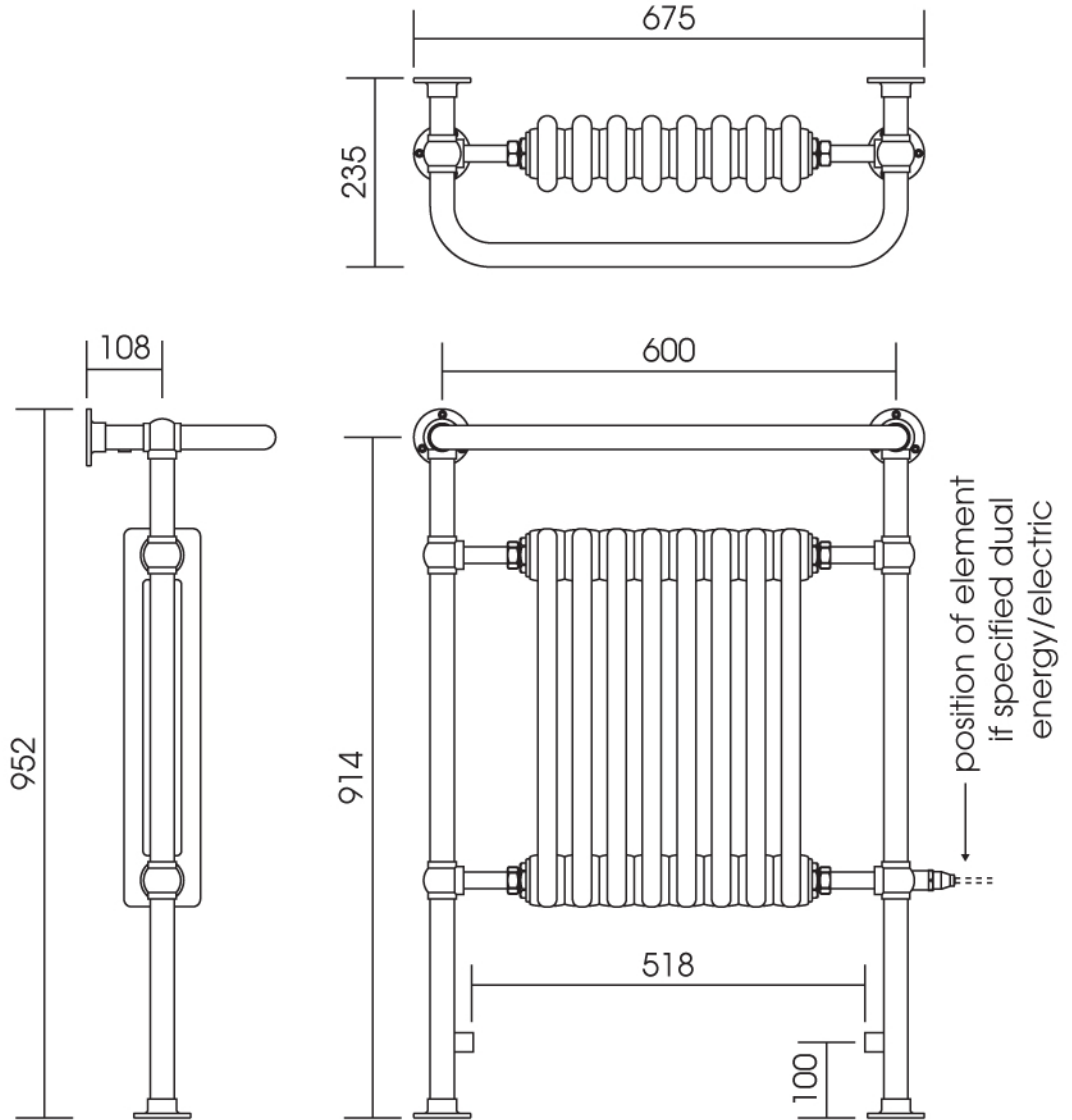


**Radiators, Towel Warmers & Shelves**

Towel Warmers	Malmö 8 Bar Heated Towel Radiator 2019
---------------	--



**Installation Note:**  
All dimensions are subject to  $\pm 3$ mm tolerance.

Dual Fuel / Electric Dimensions : Height 952 Width 675 Depth 235  
Output 50 C  
Electric Element if specified 400 W

We recommend that all products are purchased with the assistance of a specialist bathroom retailer and always installed by an experienced installer who is a member of a recognized association. All sizes quoted are nominal: items may vary by plus or minus 3mm against the figures quoted. When planning installations where dimensions are critical, it is essential that the space allowed for individual items is physically checked. Imperial Bathrooms can not be held liable for any costs associated with items not fitting in any given area. The contents of this statement are based on information correct at the time of publication. We reserve the right to make alterations and changes in product characteristics, fixing, packaging, operation etc at any time without notice.

For further information on fitting guidelines, Terms and Conditions and Warrantee details, please refer to the back of the Design Guide or contact Imperial's Customer Service team on 0870 60 61 62 3 or sales@imperial-bathrooms.co.uk