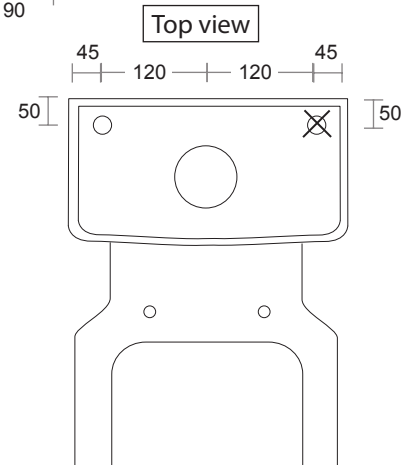
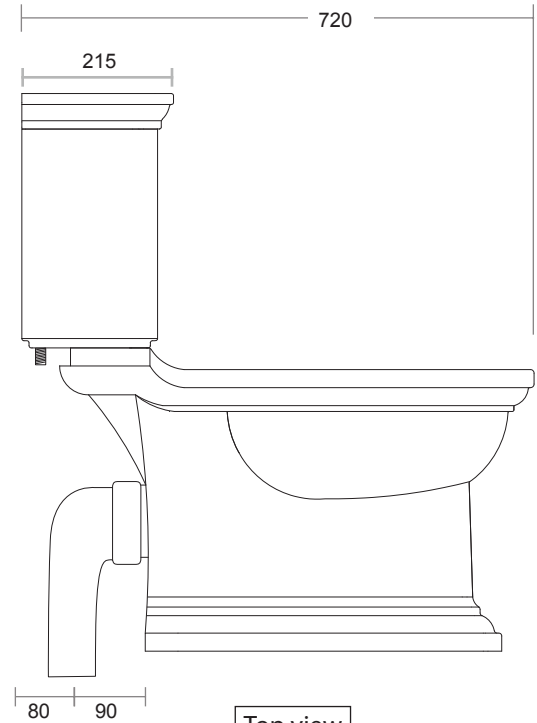
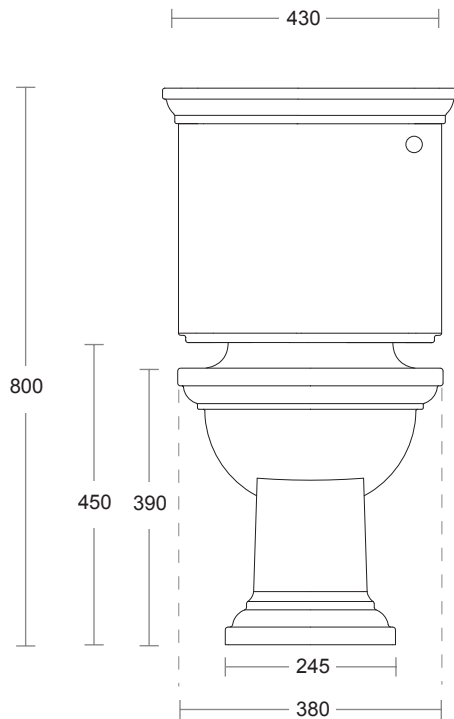


Ceramic Collection	
Radcliffe	Close Coupled WC Pan with 90 degree connector



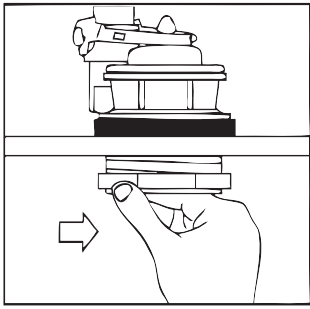
**PLEASE NOTE!!:** Although the Radcliffe CC WC has two inlet holes it is strongly suggested that a left hand inlet install is used.

If the inlet is installed on the right it will clash with the flush handle bar.

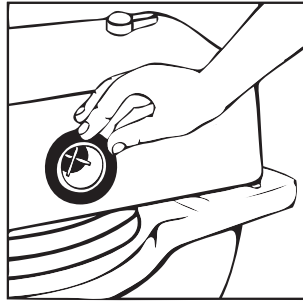
The flush handle bar can be trimmed to aid a right hand install, however this is not advised due to the space confines of the cistern.

We recommend that all products are purchased with the assistance of a specialist bathroom retailer and always installed by an experienced installer who is a member of a recognized association. All sizes quoted are nominal: items may vary by plus or minus 2% against the figures quoted. When planning installations where dimensions are critical, it is essential that the space allowed for individual items is physically checked. Imperial Bathrooms can not be held liable for any costs associated with items not fitting in any given area. The contents of this statement are based on information correct at the time of publication. We reserve the right to make alterations and changes in product characteristics, fixing, packaging, operation etc at any time without notice.

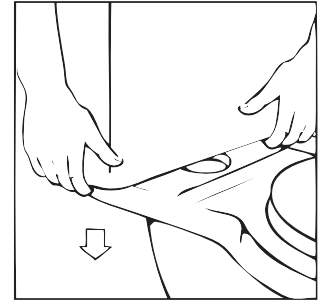
For further information on fitting guidelines, Terms and Conditions and Warrantee details, please refer to the back of the 2008 Design Guide or contact Imperial's Customer Service team on 0870 60 61 62 3 or [sales@imperial-bathrooms.co.uk](mailto:sales@imperial-bathrooms.co.uk)



Install the flap valve into the cistern, slide on coupling plate and tighten the back nut.



Place the Donut washer over the tail of the valve.



Locate the cistern onto the WC and tighten bolts to secure the cistern in place. Ensure that nuts are not overtightened as this could crack the ceramic.

**RUBBER WASHER**  
SELECT 1 TO SUIT YOUR APPLICATION

**MOUNTING BUSH**  
SELECT 1 TO SUIT YOUR HANDLE PROFILE. REMOVE AND DISCARD THOSE NOT REQUIRED

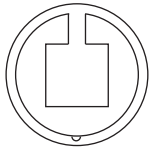
**SPACER**  
THE THREADED SHANK ON THE CISTERN HANDLE CAN VARY IN LENGTH, USING THE SPACERS ENSURE THE SPRING TIP OF THE FLAPPER CHAIN LEVER WILL PROPERLY ENGAGE THE BRACKET. REMOVE AND DISCARD THOSE NOT REQUIRED

**EXPLODED VIEW UK FLUSH LEVER ADAPTER**

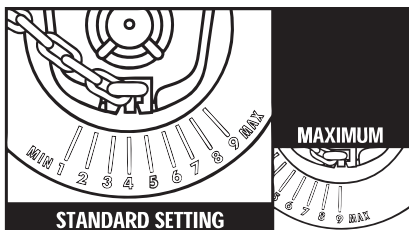
**CISTERN HANDLE**  
**THREADED SHANK**  
**RUBBER WASHER**  
**SPACER (USE IF NEEDED)**  
**BRACKET**  
**HEX-NUT**  
**SCREW**  
**FLAPPER CHAIN**  
**LEVER**  
**SPRING**  
**MOUNTING BUSHING**

**TANK ASSEMBLY**  
\* FLOAT VALVE NOT SHOWN

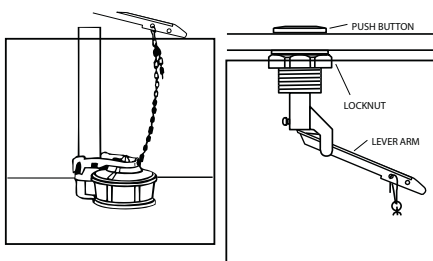
Install the flush lever as shown above



When installing the Radcliffe CC WC the correct mounting bush is the 90 degree component as shown left. No spacer is required.



Imperial recommend that the valve setting should be turned to maximum. This will ensure that the WC pan performs at its best by delivering the correct amount of water into the pan.



When attaching the chain ensure to the lever arm ensure that it is positioned directly above the flapper. The chain should have a slight slack when the flapper is closed.

NOTE: If the chain is too tight the flapper will stay open slightly and leak. If chain is too slack, it will not lift properly for a complete flush.