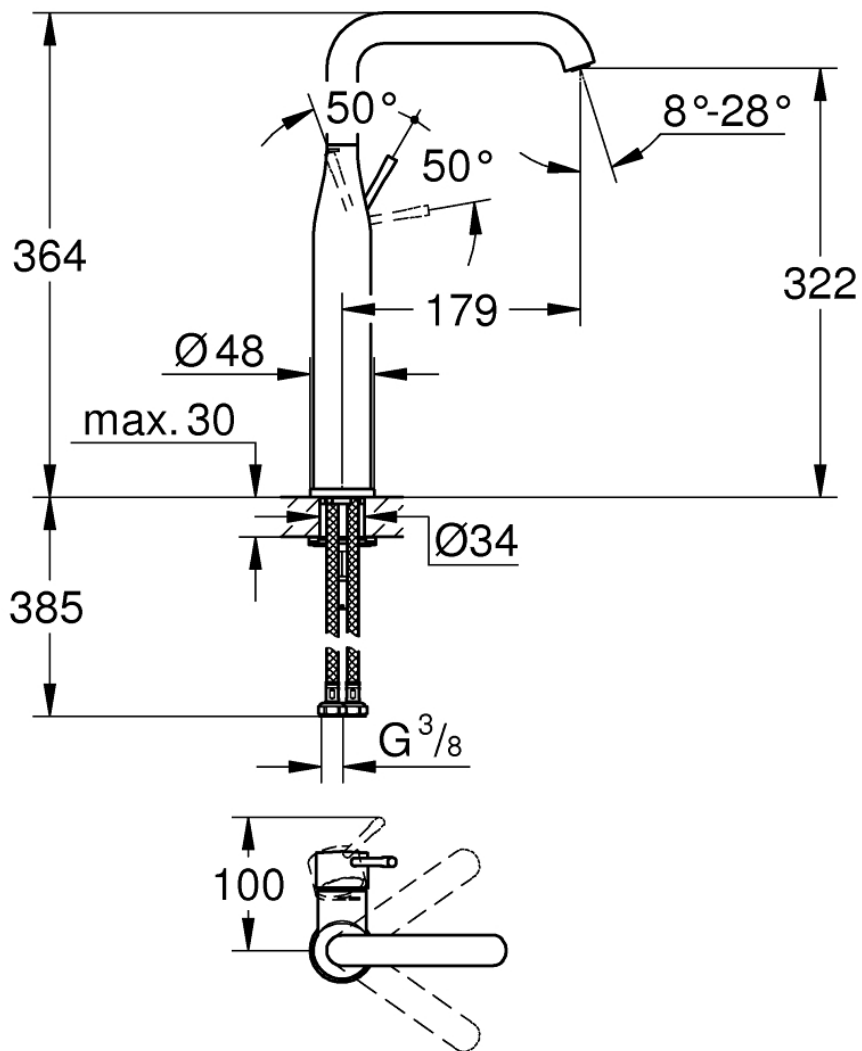
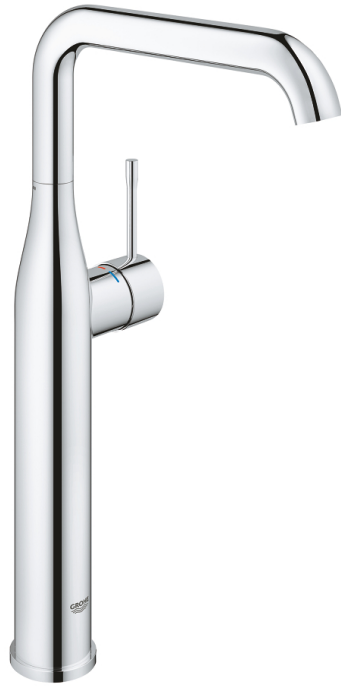


# Extra Tall Basin Mixer with U-Shaped Spout



Luxury Bathroom Solutions