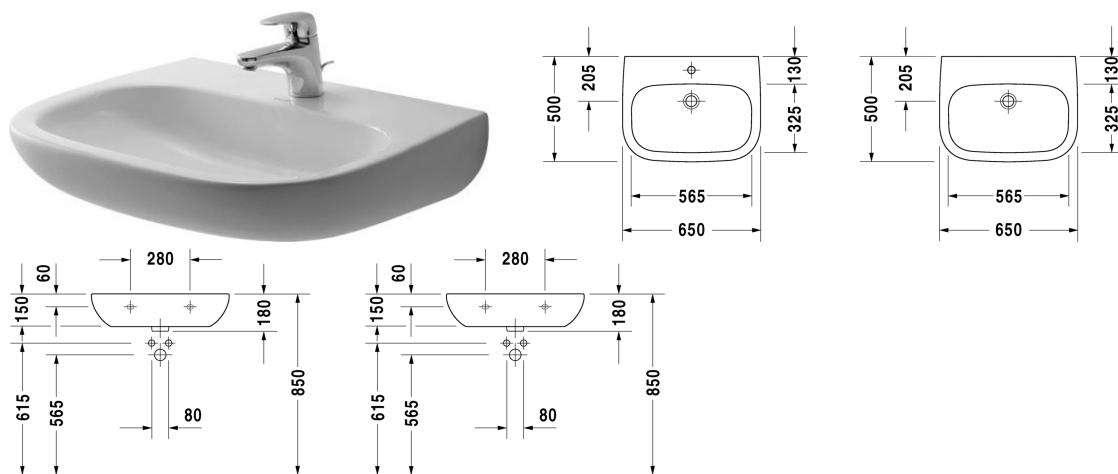


Washbasin Med # 23116500002 / 23116500702

| < 650 mm >



Washbasin Med	Dimension	Weight	Order number
without overflow, with tap platform, underneath glazed, wall mounted, 650 mm			
<b>Colors</b>			
00 White Alpin			
<b>Variant</b>			
p	650 x 500 mm	21.600 kg	23116500002
•	650 x 500 mm	21.600 kg	23116500702

All drawings contain the necessary measurements which are subject to standard tolerances. Exact measurements, in particular for customised installation scenarios, can only be taken from the finished ceramic piece.