

Bath - CL.1

Single-lever bath mixer with stand pipe for free-standing assembly with hand shower set -

Article number: 25 863 705-00



- 238 mm projection
- rectangular spray pattern with 55 individual jets
- complete hand shower set: normal flow
- bar-type hand shower with anti-scale system
- wall bracket
- automatic bath/shower diverter
- total height 935 - 1005 mm
- stand pipe height 598 - 668 mm
- height up to aerator 852 – 922 mm
- push-on rosette 131 x 131 mm
- metal shower hose 1250mm with integrated anti-twist protection
- max. spout flow rate 24.6 l/min
- max. flow for complete hand shower set 6.8 l/min
- Fittings group as per DIN 4109: 1



polished chrome

Miscellaneous items are required for this article.

Discontinued articles/items available to order until 31.12.9999

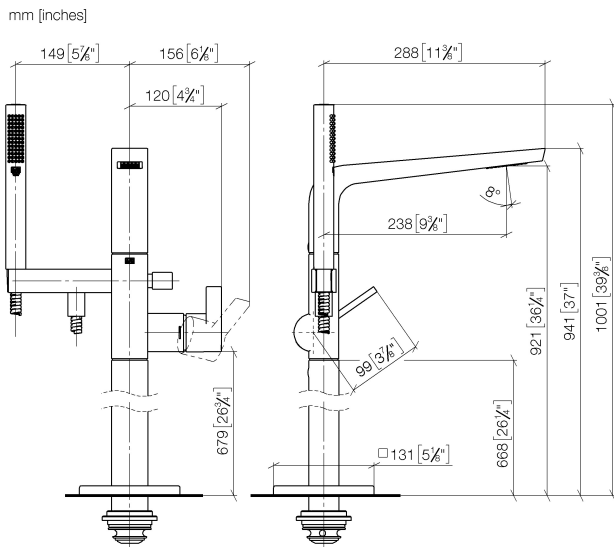


Bath - CL.1

Single-lever bath mixer with stand pipe for free-standing assembly with hand shower set -

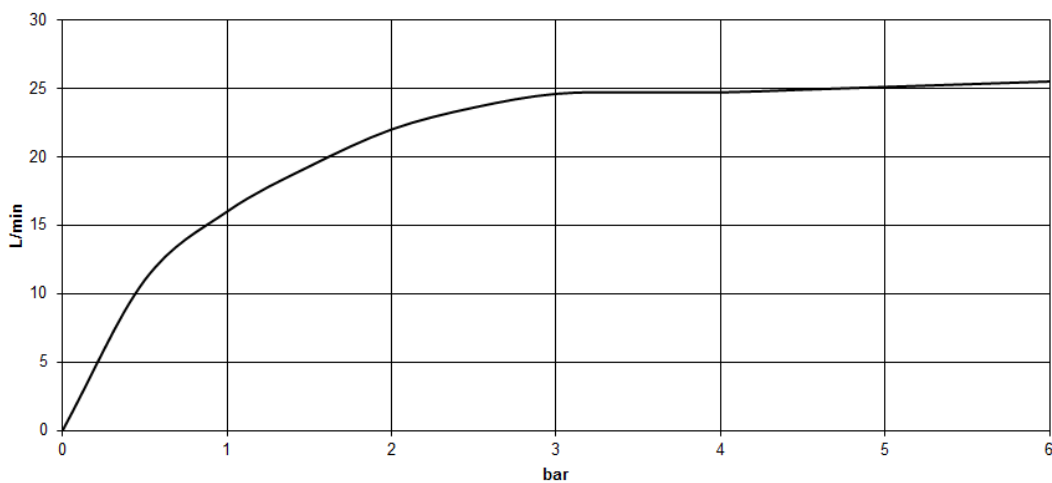
Article number: 25 863 705-00

Dimensional drawing



All details in mm / inch = mm x 0.0394

Flow rate chart



Luxury Bathroom Solutions



Bath - CL.1

Single-lever bath mixer with stand pipe for free-standing assembly with hand shower set -

Article number: 25 863 705-00

Other finish variants



platinum matt
25 863 705-06



Dark Platinum matt
25 863 705-99

Other finishes on request (x-tra Service)



35 945 970 90

Concealed floor mounting -

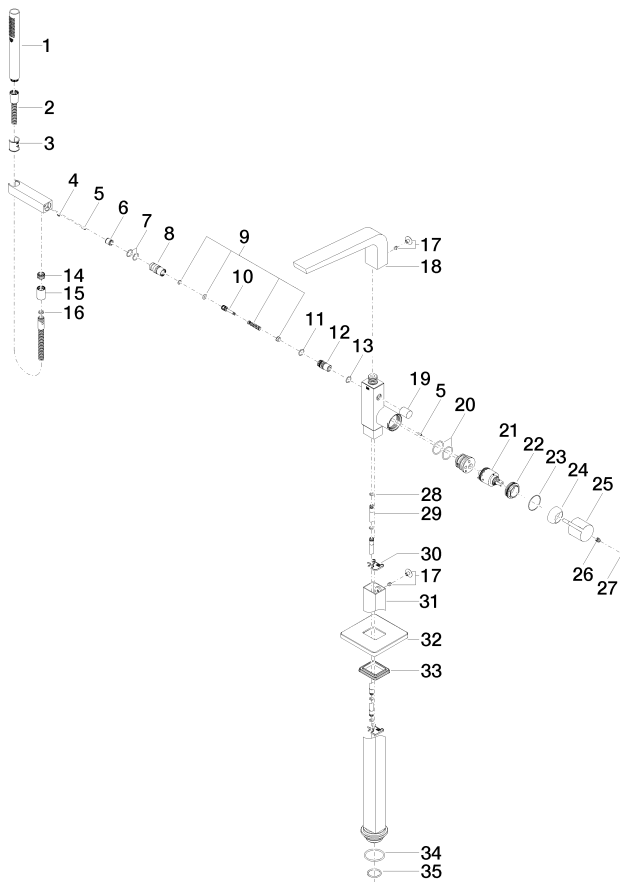
Spare parts list

Luxury Bathroom Solutions

Bath - CL.1

Single-lever bath mixer with stand pipe for free-standing assembly with hand shower set -

Article number: 25 863 705-00



No.	Item Number	Name	Quantity used
1	28 013 979-00 0010	Bar-type hand shower 6.8 l/min - polished chrome	1
2	90 30 02 072 00-00	hose	1
3	09 18 40 118 90	sleeve	1
4	09 31 11 058 90	pin	1
5	09 31 11 040 90	pin	3
6	09 23 01 141 90	back-flow preventer	1
7	09 14 10 010 90	seal	2
8	09 24 03 130-00	nipple	1
9	90 16 02 023 00 90	spring	1
10	09 31 09 094 20-00	pull-rod	1
11	09 14 10 055 90	seal	1
12	09 21 34 080-00	nipple	1
13	09 14 10 033 90	seal	1
14	09 24 03 069 90	nipple	1
15	09 21 02 069-00	cover	1
16	09 14 20 026 90	seal	1
17	04 31 20 034 00 90	plug	2
18	90 11 70 008 00-00	spout	1
19	09 20 71 031-00	handle	1
20	09 14 10 148 90	seal	2
21	90 15 05 039 00 90	cartridge	1
22	09 24 04 298 90	nut	1
23	09 14 10 037 90	seal	1
24	09 28 30 036-00	cover	1
25	09 20 67 014-00	handle	1
26	09 31 11 030 90	pin	1
27	90 31 20 087 00-00	plug	1
28	09 14 10 139 90	seal	2
29	04 28 22 025 00 90	connection	2
30	09 20 93 051 90	holder	2
31	04 28 22 024 00-00	pipe	1
32	09 27 71 011-00	rosette	1
33	09 14 03 107 90	seal	1
34	09 14 10 084 90	seal	1
35	09 14 10 018 90	seal	1