

Simply Exclusive
Classically styled bathrooms



Low-level pan with standard lever cistern and low-level flush pipe kit

C1 Close coupled/low level cistern 51cm ceramic lever (incl.cistern fittings)

P2 Low/high level pan

T31 CHR Low level flush pipe kit including flush pipes and reverse screw cistern connector

Technical Specification

Size: 510 x 740 x 1140 mm

Finishes : C1 & P2 White; T31 Chrome plated

Product Type : Traditional

Material : C1 & P2 Vitreous china; T31 Bodies are of all brass construction

Weight : 36.7 kg

Overall Height : max 114cm, min 96cm

Additional information

Inlet Position Inlet is located on the base of cistern tank on the right side

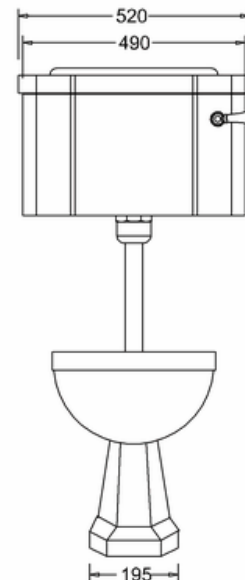
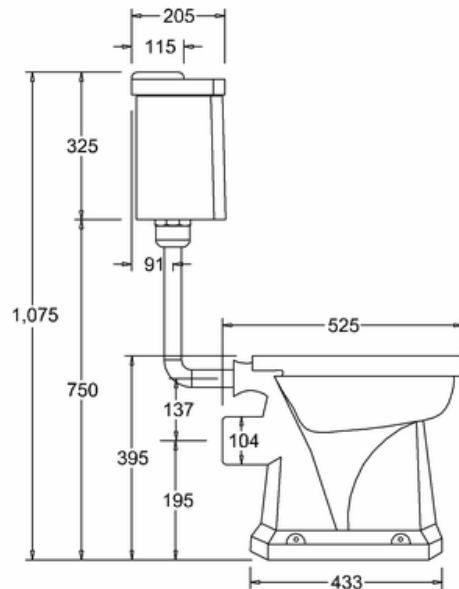
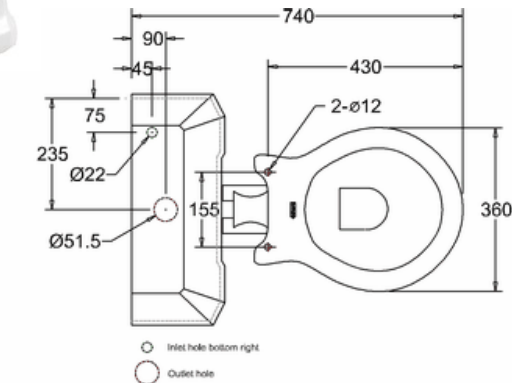
Compliance/Approvals:

BS EN 997:2012

WC pans and WC suites with integral trap

Chrome plated to **BS EN248:2002**

Sanitary tapware. General specification for electro deposited coatings of Ni-Cr



Luxury Bathroom Solutions