

Simply Exclusive
Classically styled bathrooms



Edwardian 61cm basin with basin stand

B5 1TH Edwardian basin 61cm 1TH

T23A CHR 61cm basin wash stand chrome

Technical Specification

Size: 610 x 510 x 900 mm

Finishes: B5 White; T23A CHR Chrome plated

Product Type: Traditional

Material: B5 Vitreous China; T23A CHR Bodies are of all brass construction

Size: w 61cm x d 51cm

Weight: 24.33 kg

Overall Height: 90cm

Tap Holes: Available with one (1TH), two (2TH) or three (3TH) tap holes

Overflow Class: 10

Overflow Rate: 0.1 L/s

Additional information

The overflow is to solve the issue of a dripping tap if the plug is left in. It is not designed to take a flowing tap.

Compliance/Approvals:

BS EN 14688:2006

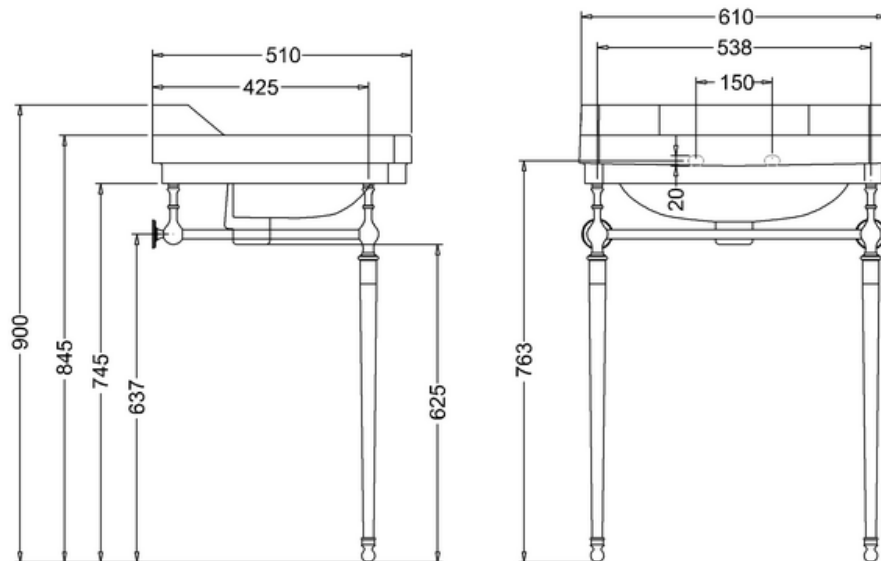
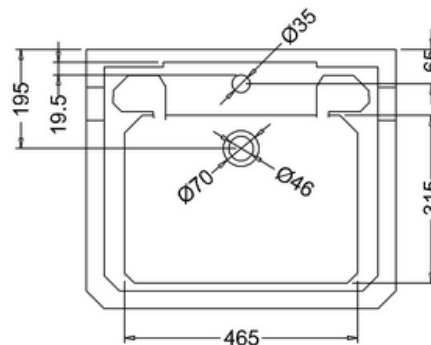
Sanitary appliances. Wash basins. Functional requirements and test methods

BS EN 31:2011

Pedestal wash basins. Connecting dimensions

Chrome plated to **BS EN248:2002**

Sanitary tapware. General specification for electro deposited coatings of Ni-Cr



Luxury Bathroom Solutions