

Simply Exclusive
Classically styled bathrooms



Edwardian 61cm basin and standard pedestal

B5 1TH Edwardian basin 61cm 1TH

P1 Pedestal

Technical Specification

Size: 610 x 510 x 900 mm

Finishes : White

Product Type : Traditional

Material : Vitreous China

Size : w 61cm x d 51cm

Weight : 31.9 kg

Overall Height : 90cm

Tap Holes : Available with one (1TH), two (2TH) or three (3TH) tap holes

Overflow Class : 10

Overflow Rate : 0.1 L/s

Additional information

The overflow is to solve the issue of a dripping tap if the plug is left in. It is not designed to take a flowing tap.

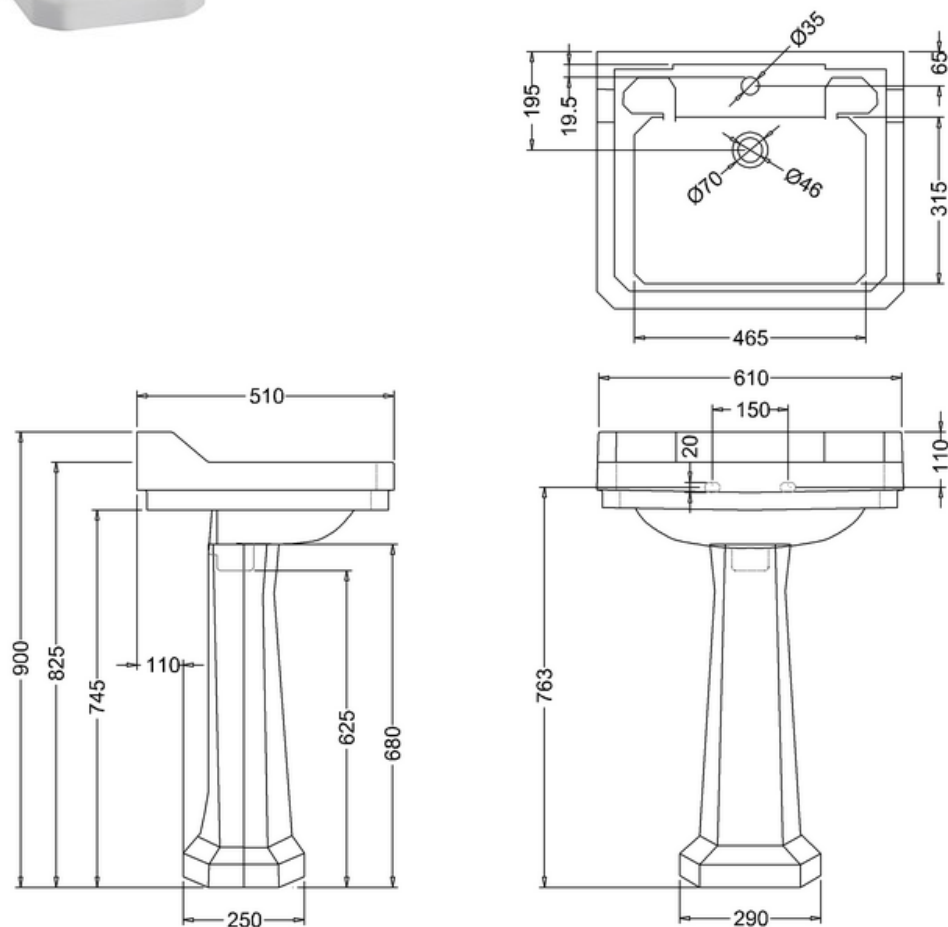
Compliance/Approvals:

BS EN 14688:2006

Sanitary appliances. Wash basins. Functional requirements and test methods

BS EN 31:2011

Pedestal wash basins. Connecting dimensions



Luxury Bathroom Solutions