

Simply Exclusive  
Classically styled bathrooms



### Victorian 56cm basin with basin stand

B2 1TH Victorian basin 560mm 1TH  
T22A CHR 56cm/58cm basin wash stand chrome

#### Technical Specification

**Size:** 560 x 470 x 840 mm

**Finishes:** B2 White; T22A CHR Chrome plated

**Product Type:** Traditional

**Material:** B2 Vitreous China; T22A CHR Bodies are of all brass construction

**Size:** w 56cm x d 47cm

**Weight:** 20 kg

**Overall Height:** 84cm

**Tap Holes:** Available with one (1TH), two (2TH) or three (3TH) tap holes

**Overflow Class:** 10

**Overflow Rate:** 10 L/s

#### Additional information

The overflow is to solve the issue of a dripping tap if the plug is left in. It is not designed to take a flowing tap.

#### Compliance/Approvals:

**BS EN 14688:2006**

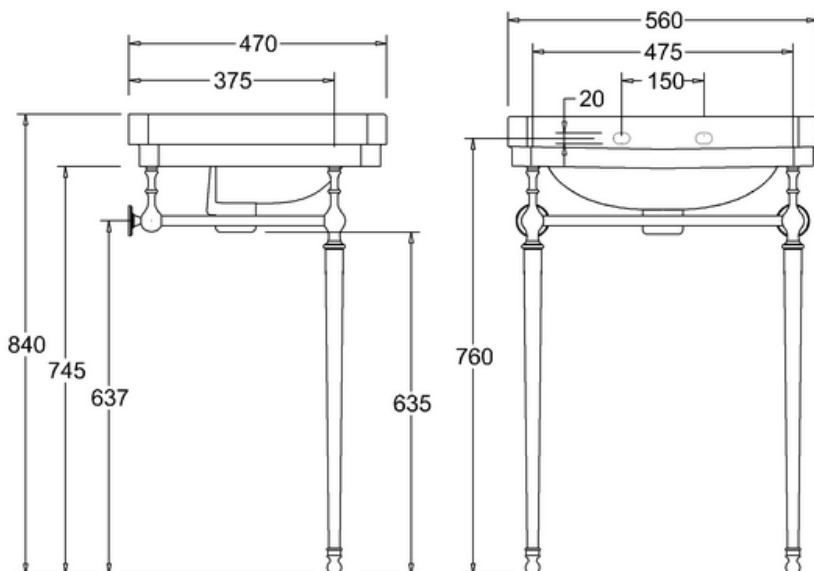
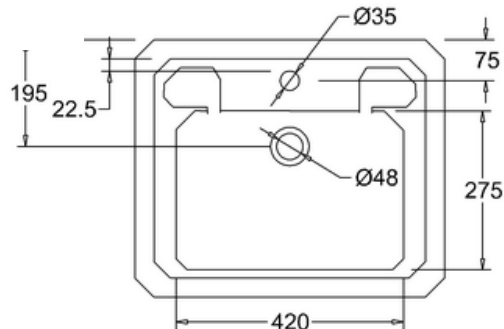
Sanitary appliances. Wash basins. Functional requirements and test methods

**BS EN 31:2011**

Pedestal wash basins. Connecting dimensions

Chrome plated to **BS EN248:2002**

Sanitary tapware. General specification for electro deposited coatings of Ni-Cr



Luxury Bathroom Solutions