

Simply Exclusive
Classically styled bathrooms



Classic 65cm basin and basin stand

B15 1TH Classic basin 65cm 1TH

T49A CHR 65cm basin wash stand chrome

Technical Specification

Size: 650 x 575 x 890 mm

Finishes: B15 White; T49A Chrome plated

Product Type: Traditional

Material: B15 Vitreous China; T49A Bodies are of all brass construction

Size: w 65cm x d 57.5cm

Weight: 23.25 kg

Overall Height: 89cm

Tap Holes: Available with one (1TH), two (2TH) or three (3TH) tap holes

Overflow Class: 10

Overflow Rate: 10 L/s

Additional information

The overflow is to solve the issue of a dripping tap if the plug is left in. It is not designed to take a flowing tap.

Compliance/Approvals:

BS EN 14688:2006

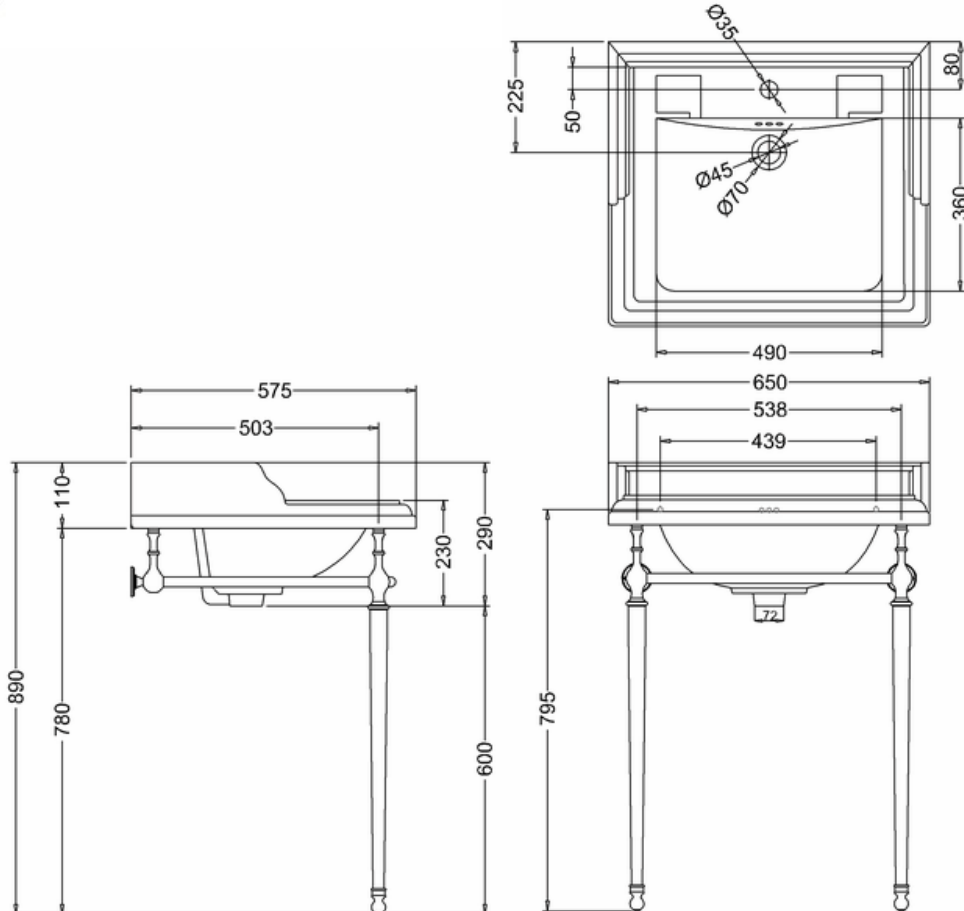
Sanitary appliances. Wash basins. Functional requirements and test methods

BS EN 31:2011

Pedestal wash basins. Connecting dimensions

Chrome plated to **BS EN248:2002**

Sanitary tapware. General specification for electro deposited coatings of Ni-Cr



Luxury Bathroom Solutions