

Simply Exlusive
 Classically styled bathrooms



Classic 65cm basin and black aluminium basin stand

B15 1TH Classic basin 65cm 1TH

T48 BLA Burlington basin stand aluminium/black

Technical Specification

Size: 575 x 650 x 890 mm

Finishes : B15 White; T48 CHR black

Product Type : Traditional

Material : B15 Vitreous China; T48 CHR LM25 Aluminium

Size : w 65cm x d 57.5cm

Weight : 28.52 kg

Overall Height : 89

Tap Holes : Available with one (1TH), two (2TH) or three (3TH) tap holes

Overflow Class : 10

Overflow Rate : 10 L/s

Additional information

The overflow is to solve the issue of a dripping tap if the plug is left in. It is not designed to take a flowing tap.

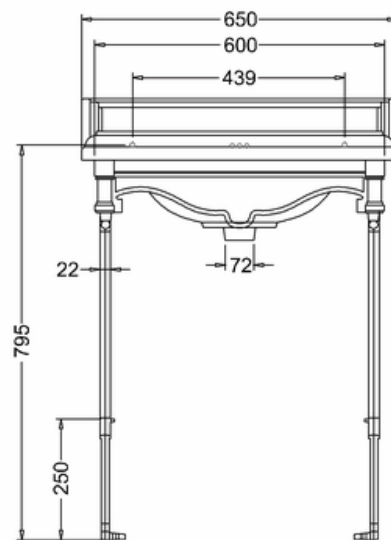
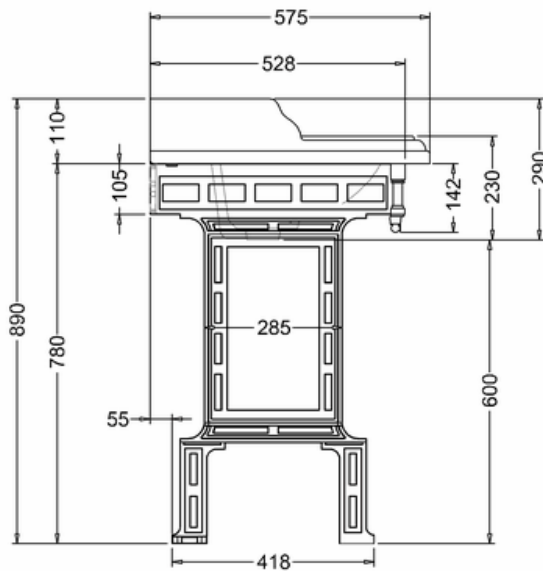
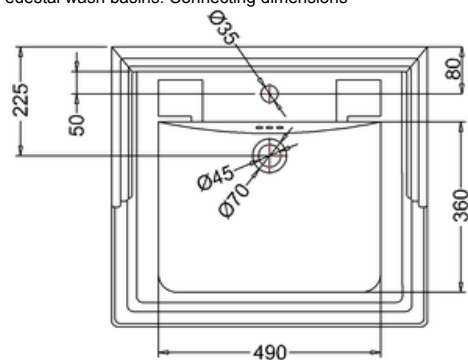
Compliance/Approvals:

BS EN 14688:2006

Sanitary appliances. Wash basins. Functional requirements and test methods

BS EN 31:2011

Pedestal wash basins. Connecting dimensions



Luxury Bathroom Solutions