

Simply Exclusive
Classically styled bathrooms



Classic 65cm basin and polished aluminium basin stand

B15 1TH Classic basin 65cm 1TH
T38 ALU Burlington Basin Stand Aluminum

Technical Specification

Size: 650 x 575 x 890 mm

Finishes: B15 White; T38 CHR Polished

Product Type: Traditional

Material: B15 Vitreous China; T38 CHR LM25 Aluminum

Size: w 65cm x d 57.5cm

Weight: 28.52 kg

Overall Height: 89

Tap Holes: Available with one (1TH), two (2TH) or three (3TH) tap holes

Overflow Class: 10

Overflow Rate: 10 L/s

Additional information

The overflow is to solve the issue of a dripping tap if the plug is left in. It is not designed to take a flowing tap.

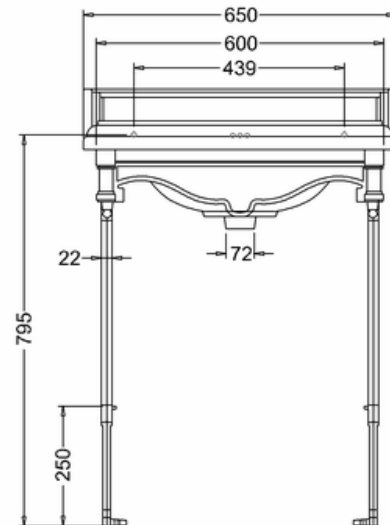
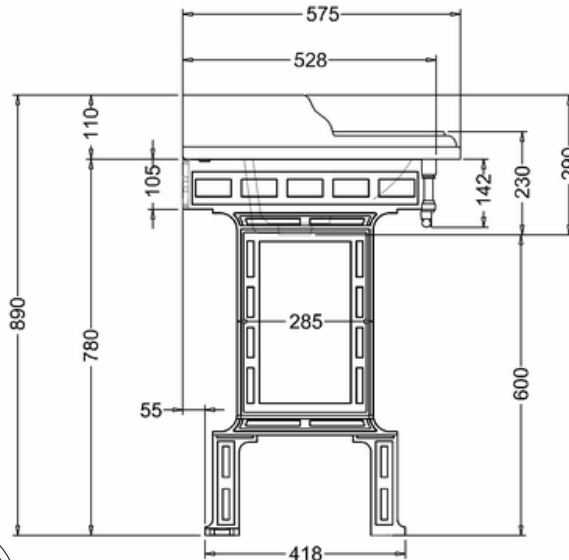
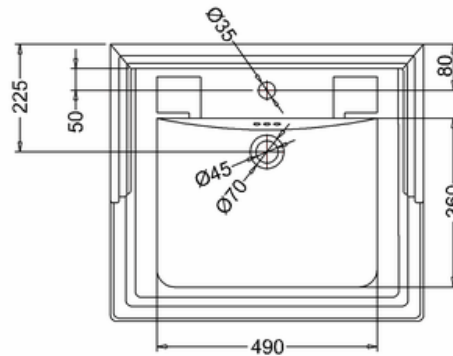
Compliance/Approvals:

BS EN 14688:2006

Sanitary appliances. Wash basins. Functional requirements and test methods

BS EN 31:2011

Pedestal wash basins. Connecting dimensions



Luxury Bathroom Solutions