

Simply Exclusive
Classically styled bathrooms



Contemporary basin with basin stand

B1 1TH Contemporary basin 575mm 1TH
T22A CHR 56cm/58cm basin wash stand chrome

Technical Specification

Size : 575 x 470 x 840 mm

Finishes : B1 White; T22A CHR Chrome plated

Product Type : Traditional

Material : B1 Vitreous China; T22A CHR Bodies are of all brass construction

Size : w 57.5cm x d 47cm

Weight : 19.68 kg

Overall Height : 84cm

Tap Holes : Available with one (1TH), two (2TH) or three (3TH) tap holes

Overflow Class : 10

Overflow Rate : 10 L/s

Additional information

The overflow is to solve the issue of a dripping tap if the plug is left in. It is not designed to take a flowing tap.

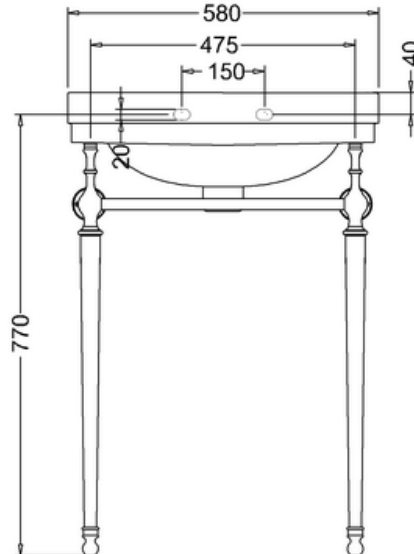
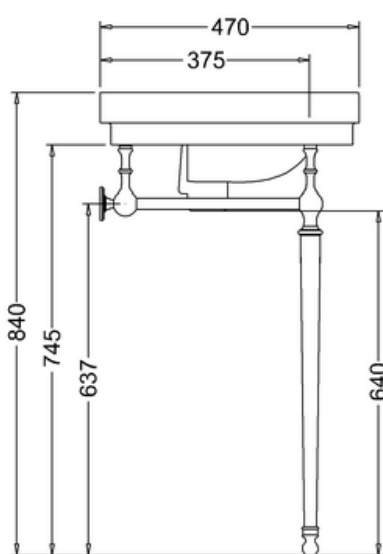
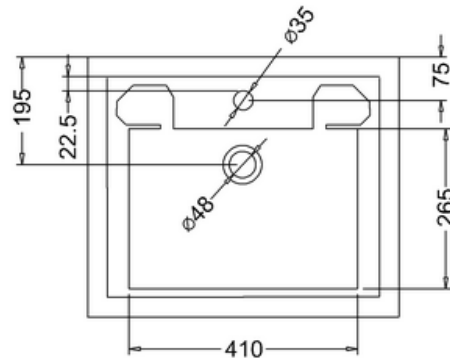
Compliance/Approvals:

BS EN 14688:2006

Sanitary appliances. Wash basins. Functional requirements and test methods

BS EN 31:2011

Pedestal wash basins. Connecting dimensions



Luxury Bathroom Solutions