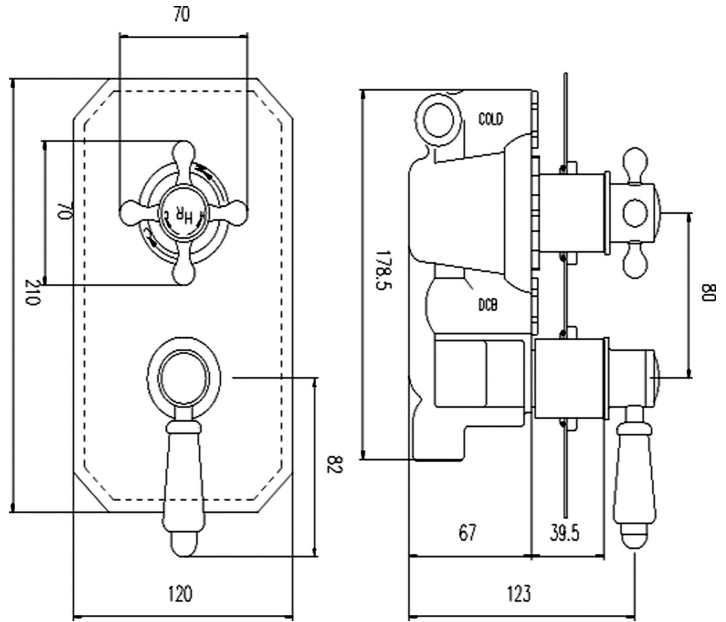


CUSTOMER SPECIFICATION SHEET - SHOWERS

SALES CODE: CSA020

DESCRIPTION Victrion Twin Concealed Shower Valve



PRODUCT DIMENSIONS

| Length (mm) | Width (mm) | Height (mm) | Depth (mm) | Nett Wgt Kg |
|-------------|------------|-------------|------------|-------------|
| | 120 | 230 | 135 | 2.8 |

PACKAGING DIMENSIONS

| Length (mm) | Width (mm) | Depth (mm) | Gross Wgt Kg |
|-------------|------------|------------|--------------|
| 250 | 240 | 110 | 3 |

PACKAGING DATA

| | | | |
|------------|---------------------|--------------|-------------|
| Box Colour | White Cardboard Box | | |
| Box Qty | 1 | Label Colour | White Label |
| Label Size | 100 X 50 | Label Qty | 1 |

OUTER BOX DIMENSIONS (If Applicable)

| Length (mm) | Width (mm) | Height (mm) | Depth (mm) | Gross Wgt Kg |
|-------------|------------|-------------|------------|--------------|
| | | | | |
| Barcode | | | | |

PRODUCT DETAILS

| | |
|--------------------------|-----------------------|
| Country of Origin | |
| Fitting Instruction | Yes |
| Product Material | Brass |
| Mount Type | Wall |
| Outlet Elbow Supplied | Not Applicable |
| Easy Clean | Not Applicable |
| Head Included | No |
| Handset Included | No |
| Body Jets Included | Not Applicable |
| No of Body Jets | Not Applicable |
| Operating Pressure (bar) | 0.1 |
| Valve/Cartridge Type | 1/4 Turn Ceramic Disc |

| | | | | | | | | | | |
|--------------------|------------------|-----|--------------|----|-------------|----|-------|----|-------|----|
| Flow Rates (L/min) | 0.1 bar | 5.5 | 0.5 bar | 14 | 1 bar | 20 | 2 bar | 29 | 3 bar | 44 |
| TMV2 Approved | Yes | | Approval No. | | Bc947/1211 | | | | | |
| TMV3 Approved | Yes | | Approval No. | | Bc1119/1212 | | | | | |
| WRAS Approved | Yes | | Approval No. | | N/A | | | | | |
| Head Function | Not Applicable | | | | | | | | | |
| Handset Function | Not Applicable | | | | | | | | | |
| Body Jet Info | Not Applicable | | | | | | | | | |
| Pipe Size | 15 mm (1/2" Bsp) | | | | | | | | | |
| Pipe Centres | 150mm | | | | | | | | | |
| Colour/Finish | Chrome | | | | | | | | | |
| Hose Included | Not Applicable | | | | | | | | | |