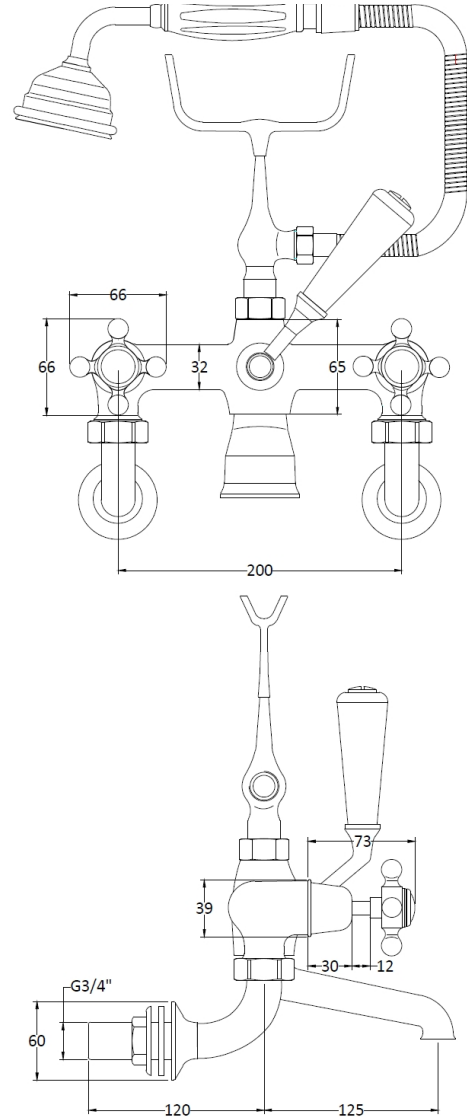


CUSTOMER SPECIFICATION SHEET - BRASSWARE

SALES CODE: CTA021

DESCRIPTION: Victrion Crosshead Bath Shower Mixer - Wall Mounted



PRODUCT DIMENSIONS

| Height (mm) | Width (mm) | Depth (mm) | Length (mm) | Nett Wgt Kg |
|-------------|------------|------------|-------------|-------------|
| 320 | 350 | 155 | | 4.7 |

PACKAGING DIMENSIONS

| Height (mm) | Width (mm) | Depth (mm) | Gross Wgt Kg |
|-------------|------------|------------|--------------|
| 150 | 232 | 330 | 4.9 |

PACKAGING DATA

| | | | |
|------------|---------------------|--------------|-------------|
| Box Colour | White Cardboard Box | | |
| Box Qty | 1 | Label Colour | White Label |
| Label Size | 100 X 50 | Label Qty | 1 |

OUTER BOX DIMENSIONS (If Applicable)

| Height (mm) | Width (mm) | Depth (mm) | Length (mm) | Gross Wgt Kg |
|-------------|------------|------------|-------------|--------------|
| | | | | |
| Barcode | | | | |

PRODUCT DETAILS

| | | | |
|--------------------------|-----------------------|--------------|-----|
| Country of Origin | United Kingdom | | |
| Fitting Instruction | Yes | | |
| Product Material | Brass | | |
| Control Type | Manual | | |
| Waste Included | Waste Not Included | | |
| WRAS Approval | No | Approval No. | N/A |
| Operating Pressure (bar) | 0.2 | | |
| Valve/Cartridge Type | 1/4 Turn Ceramic Disc | | |

| | | | | | | | | | | |
|-----------------------------|------------------|------|---------|------|-------|------|------|----|-------|------|
| Colour/Finish | Chrome | | | | | | | | | |
| Mount Type | Wall | | | | | | | | | |
| Waste Type | Not Applicable | | | | | | | | | |
| Flow Rates (Litres Per Min) | 0.1 bar | 10.6 | 0.5 bar | 28.6 | 1 bar | 41.4 | 2bar | 59 | 3 bar | 72.8 |
| Pipe Size | 22 mm (3/4" Bsp) | | | | | | | | | |
| Pipe Centres | N/A | | | | | | | | | |