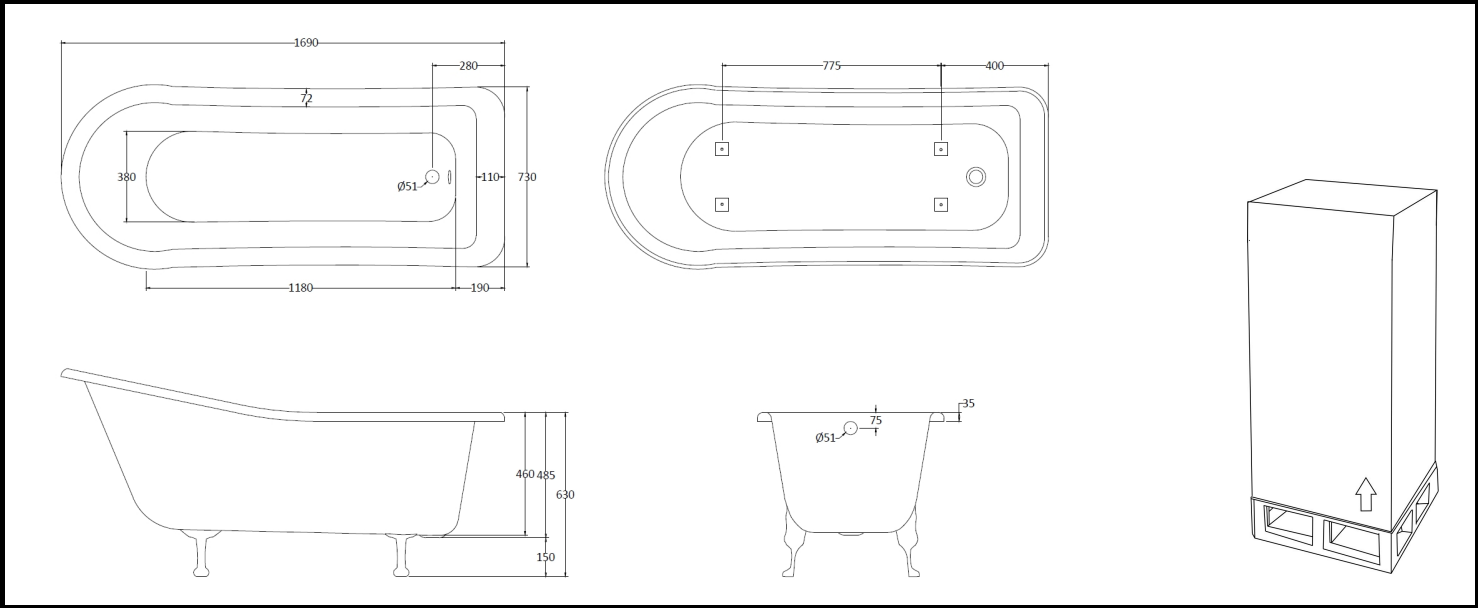


CUSTOMER SPECIFICATION SHEET - BATHS

SALES CODE: BAU027	DESCRIPTION: Fordham 1700 Slipper Freestanding Bath with Feet Set 2
---------------------------	--



PRODUCT DIMENSIONS			
Length (mm)	Width (mm)	Depth (mm)	Nett Wgt Kg
1700	730	770/625	46

PACKAGING DIMENSIONS			
Length (mm)	Width (mm)	Depth (mm)	Gross Wgt Kg
1700	720	470	46

PACKAGING DATA			
Box Colour	Brown Cardboard Sleeve		
Box Qty	1	Label Colour	White Label
Label Size	100 X 50	Label Qty	2

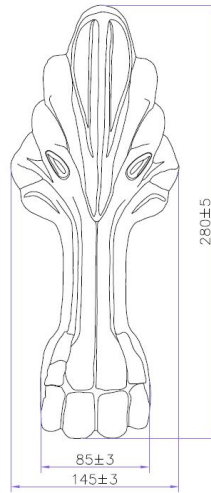
OUTER BOX DIMENSIONS (If Applicable)			
Length (mm)	Width (mm)	Height (mm)	Gross Wgt Kg
Barcode			

PRODUCT DETAILS			
Country of Origin	China	Certification	FSC CE
Fitting Instruction	No	Material Colour Ref	European White
Product Material	Acrylic	Material Thickness	14mm
Volume (Ltr)	197L	Displaced Capacity	125L
Leg Set Inc'	With Feet Set 2	Waste Inc'	Waste Not Included
Drilled/Undrilled	Undrilled For Taps	Includes Grips	No Grips Supplied
Embossed	No	No of Tapholes	None
Anti-Slip	No		

CUSTOMER SPECIFICATION SHEET - BATHS

SALES CODE: Leg Set 2

DESCRIPTION Leg Set 2



PRODUCT DIMENSIONS

Length (mm)	Width (mm)	Depth (mm)	Nett Wgt Kg
275	140	120	4.23

PACKAGING DIMENSIONS

Length (mm)	Width (mm)	Depth (mm)	Gross Wgt Kg
465	460	225	4.23

PACKAGING DATA

Box Colour	Polystyrene Moulded Box		
Box Qty	1	Label Colour	White Label
Label Size	140 X 100	Label Qty	1

OUTER BOX DIMENSIONS (If Applicable)

Length (mm)	Width (mm)	Height (mm)	Gross Wgt Kg
Barcode			

PRODUCT DETAILS

Country of Origin	China	Certification	FSC	N/A	CE	N/A
Fitting Instruction	No	Material Colour Ref	Not Applicable			
Product Material	Steel	Material Thickness	N/A			
Volume (Ltr)	N/A	Displaced Capacity	N/A			
Leg Set Inc'	Not Applicable	Waste Inc'	Not Applicable			
Drilled/Undrilled	Not Applicable	Includes Grips	Not Applicable			
Embossed	Not Applicable	No of Tapholes	Not Applicable			
Anti-Slip	Not Applicable					