



ashton & bentley

# Nisou bath

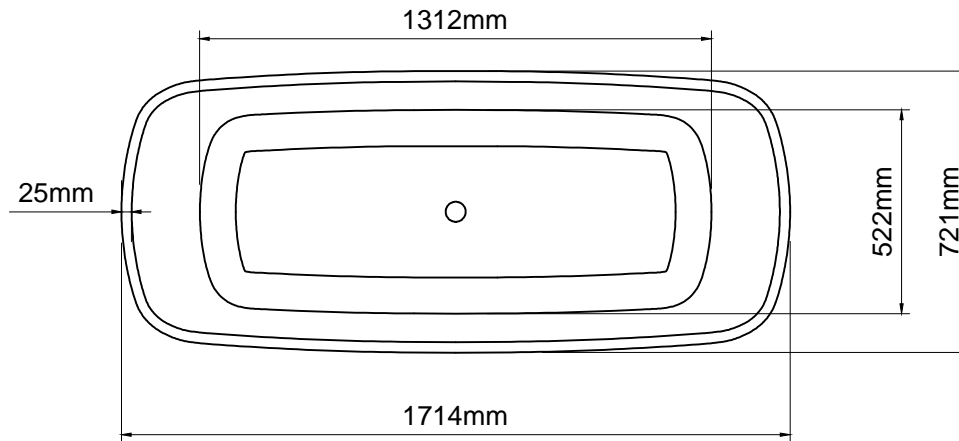
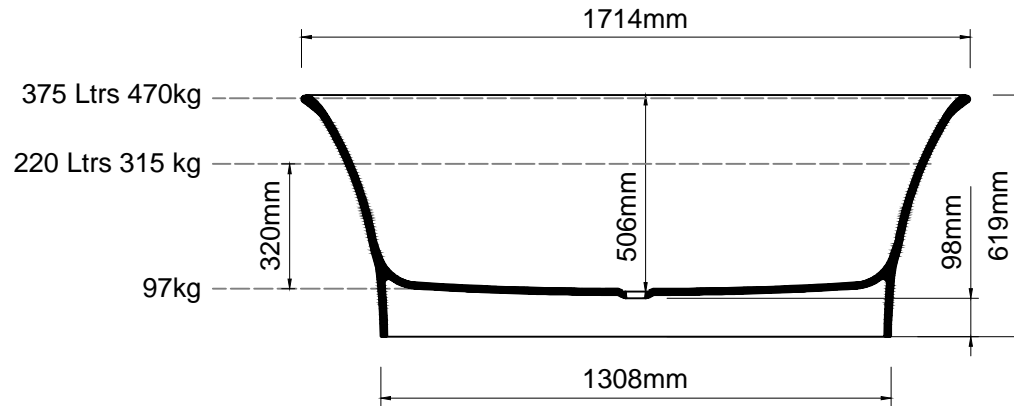
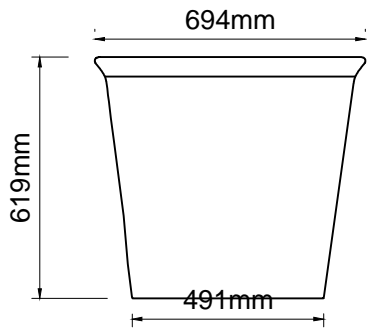
### Notes

Taps, accessories and assembly parts are not included and must be purchased separately.

### Important

All dimensions listed are nominal. Being cast products they are subject to a size variance of +/- 3% tolerances.

Do not scale from this drawing, only dimensions given should be used. For illustrative purposes only, not for manufacture



Bath weight: 97 kilos (approx)

Dimensions

L 1714 x W 694 x H 619