

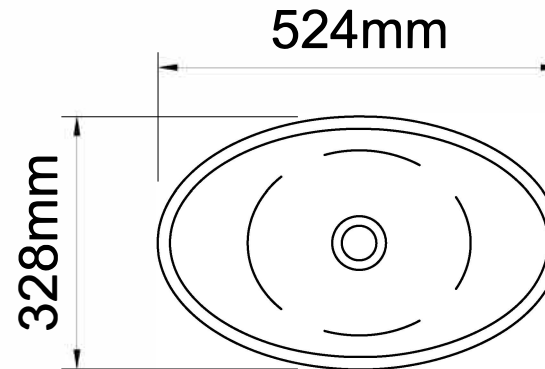
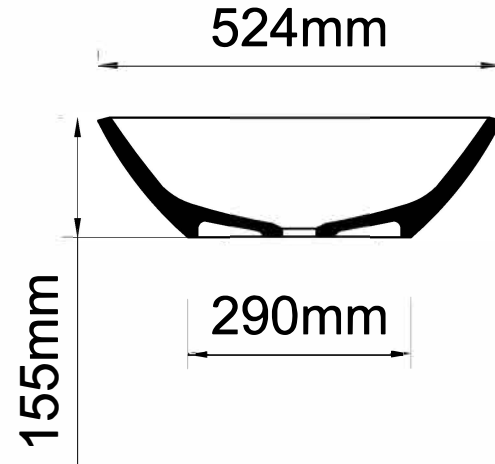
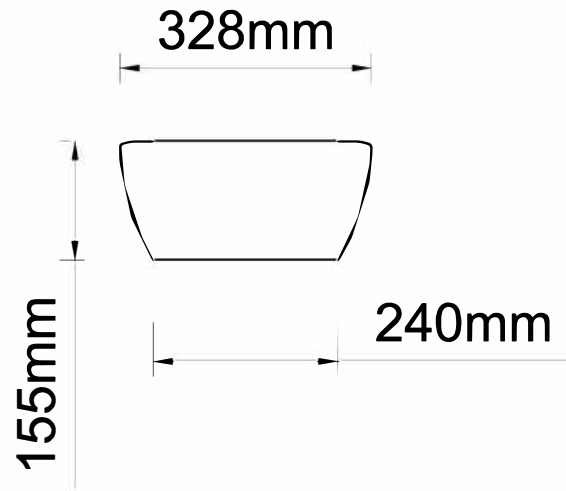


ashton & bentley

Lefka Basin

T 01902 83 74 36
W www.ashtonandbentley.co.uk
E info@ashtonandbentley.co.uk

The Design Studio | Creative Industries Centre
Wolverhampton Science Park | WV10 9TG



Dimensions
L 524 x W 328 x H 155

Notes

Taps, accessories and assembly parts are not included and must be purchased separately.

Important

All dimensions listed are nominal. Being cast products they are subject to a size variance of +/- 2% tolerances.

REV	DATE	DESCRIPTION	DRAWN	CHECKED
1	08/07/16	PLUMBING DIMENSIONS AMENDED	CADS	CADS
-	11/05/16	DRAWING CREATED	CADS	CADS

DRAWING TITLE				
Lefka Basin				
SCALE	PAPER SIZE	DATE	DRAWN	CHECKED
1:10	A4	11/03/16	CADS	CADS
DRAWING No.				REVISION
LEF-01				- 1

Do not scale from this drawing, only dimensions given should be used. For illustrative purposes only, not for manufacture