



ashton & bentley

# Ithica basin

T 01902 83 74 36  
W www.ashtonandbentley.co.uk  
E info@ashtonandbentley.co.uk

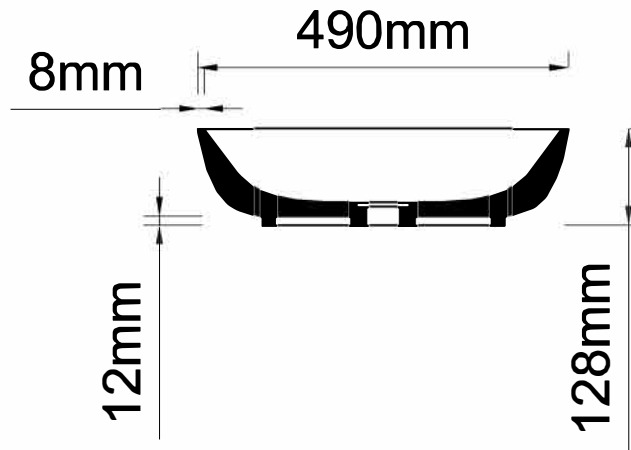
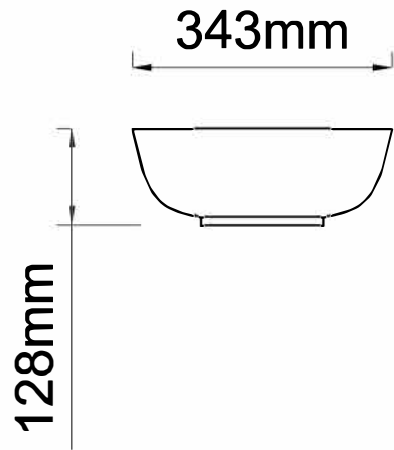
The Design Studio | Creative Industries Centre  
Wolverhampton Science Park | WV10 9TG

### Notes

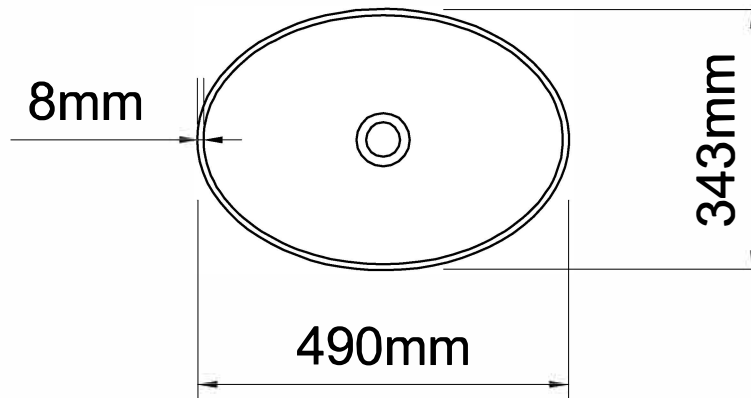
Taps, accessories and assembly parts are not included and must be purchased separately.

### Important

All dimensions listed are nominal. Being cast products they are subject to a size variance of +/- 3% tolerances.



Dimensions  
L 490 x W 343 x H 128



REV	DATE	DESCRIPTION	DRAWN	CHECKED
	12/2018	Drawing created	MF	MF

DRAWING TITLE				
Ithica basin				
SCALE	PAPER SIZE	DATE	DRAWN	CHECKED
1:10	A4	12/12/18	MF	MF

DRAWING NO.	REVISION
ITH-B-01	- 0

Do not scale from this drawing, only dimensions given should be used. For illustrative purposes only, not for manufacture

## Luxury Bathroom Solutions

Inspired by nature

DR Ashton & Bentley 2008-2014