

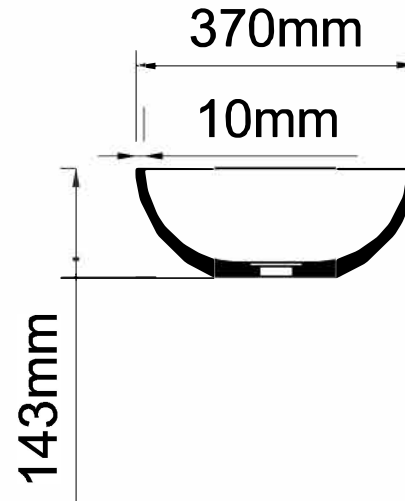
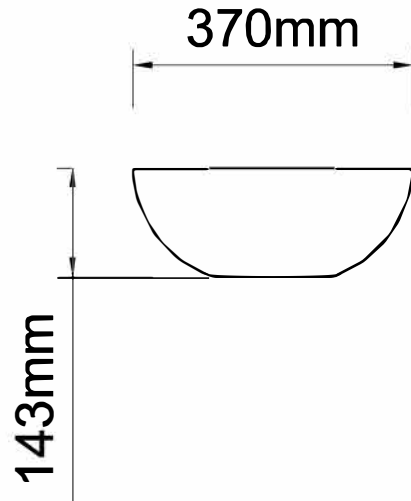


ashton & bentley

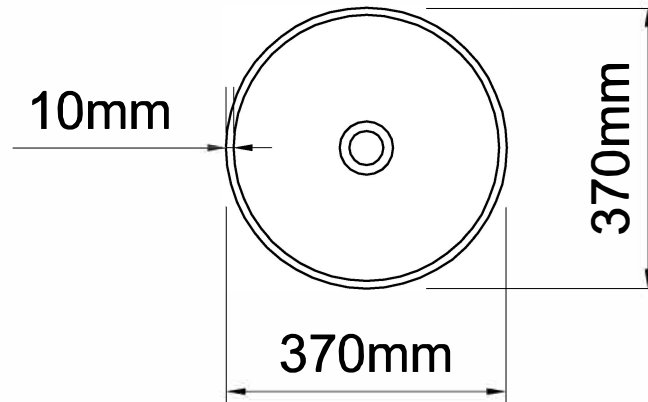
Fili basin

T 01902 83 74 36
W www.ashtonandbentley.co.uk
E info@ashtonandbentley.co.uk

The Design Studio | Creative Industries Centre
Wolverhampton Science Park | WV10 9TG



Dimensions
L 370 x W 370 x H 143



Notes

Taps, accessories and assembly parts are not included and must be purchased separately.

Important

All dimensions listed are nominal. Being cast products they are subject to a size variance of +/- 3% tolerances.

REV	DATE	DESCRIPTION	DRAWN	CHECKED
	12/12/18	Drawing created	MF	MF

DRAWING TITLE				
Fili basin				
SCALE	PAPER SIZE	DATE	DRAWN	CHECKED
1:10	A4	12/12/18	MF	MF

DRAWING NO.	REVISION
FILI-B-01	- 0

Do not scale from this drawing, only dimensions given should be used. For illustrative purposes only, not for manufacture