

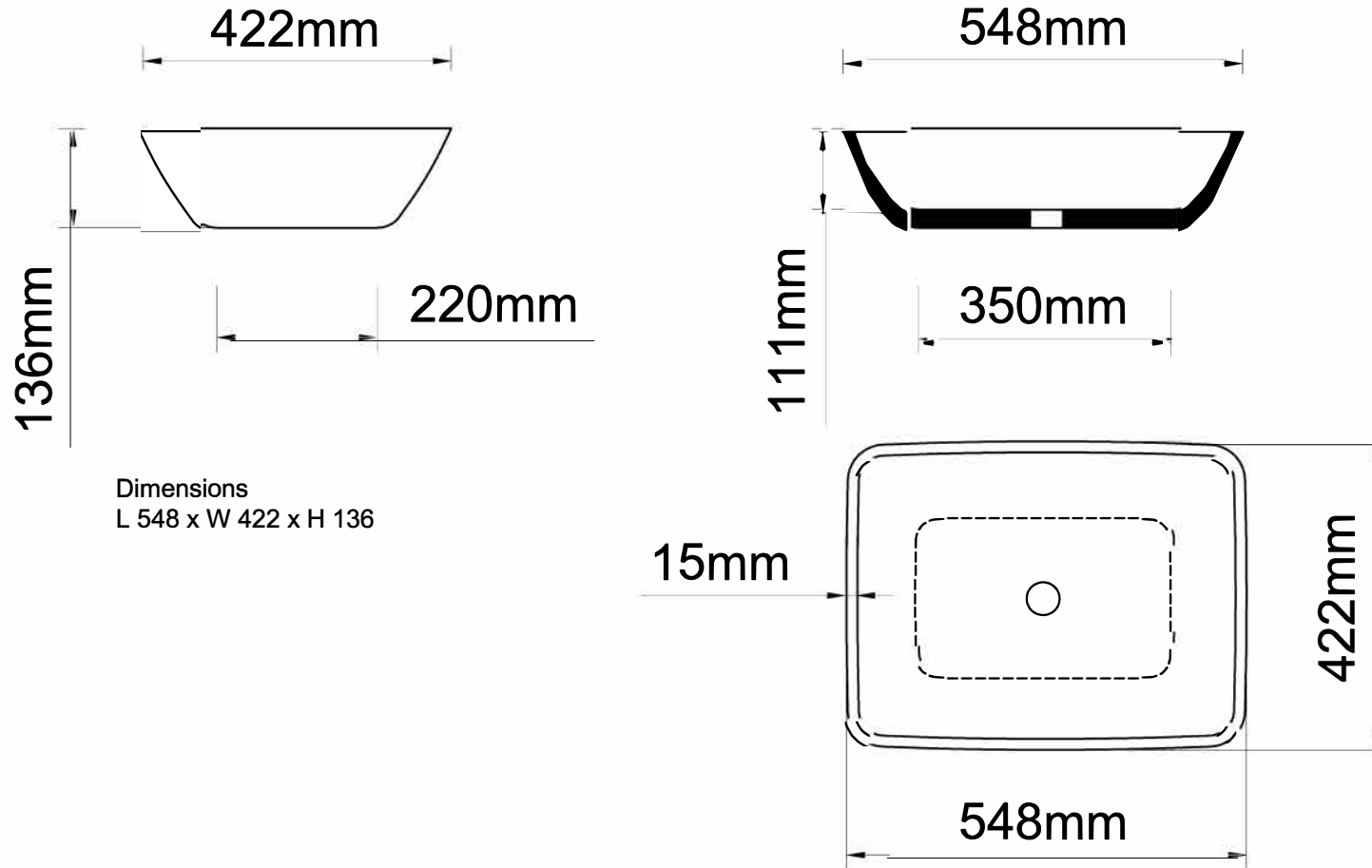


Notes

Taps, accessories and assembly parts are not included and must be purchased separately.

Important

All dimensions listed are nominal. Being cast products they are subject to a size variance of +/- 3% tolerances.



REV	DATE	DESCRIPTION	DRAWN	CHECKED
2	28.07.15	FINISH MEASUREMENTS AMENDED	CADS	CADS
1	16.10.14	FINISH MEASUREMENTS AMENDED	CADS	CADS
0	28.01.14	DRAWING CREATED	CADS	CADS

DRAWING TITLE				
Delphi basin				
SCALE	PAPER SIZE	DATE	DRAWN	CHECKED
1:10	A4	--/--	CADS	CADS
DRAWING NO.				REVISION
DEL-01				- 2

Do not scale from this drawing, only dimensions given should be used. For illustrative purposes only, not for manufacture